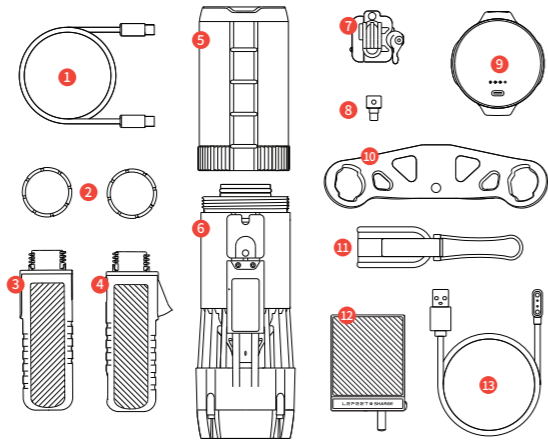


P1/P1 XR USER MANUAL



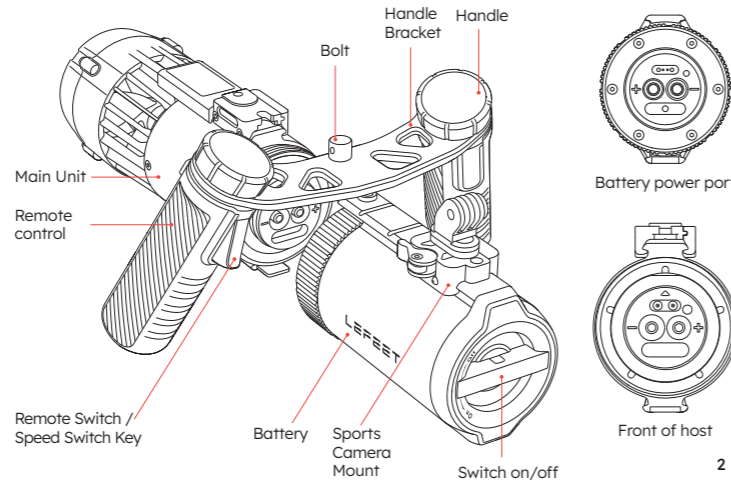
For more information can be obtained online

WHAT'S IN THE BOX



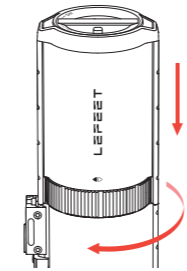
1. Type C cable
2. Handle screw cap
3. Handle
4. Remote control
5. Battery
6. Main unit
7. Sport camera mount
8. Screw Bolt
9. Charging converter
10. Handle bracket
11. Anti-Lost Strap
12. GaN Charger 100W
13. Remote control Magnetic charging cable

PRODUCT DIAGRAM



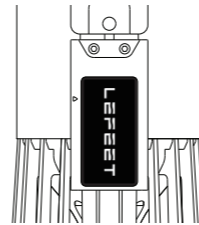
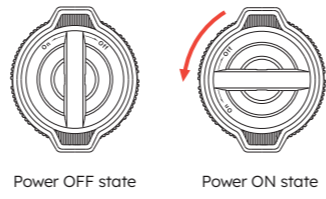
INSTALL THE BATTERY

1. Aim the battery downward at the battery interface of the host. Please judge the correct direction through the gap.
2. Rotate the battery ring clockwise in the direction of the solid arrow to lock the battery. Rotate until there is no gap between the battery and the main unit. (If the resistance of the waterproof ring is too large, press the battery downward slightly and rotate the battery ring.)



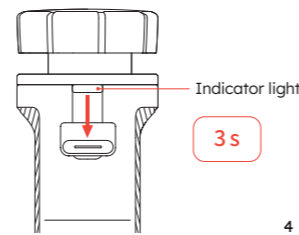
POWERING ON THE MAIN UNIT

1. Rotate 90° in the direction of "on" to power on the main unit.
2. Once you hear the startup sound, the screen will light up.



REMOTE CONTROL

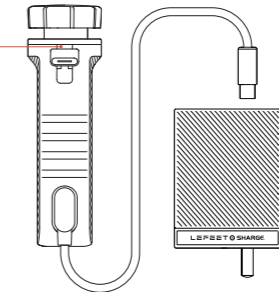
Slide down the (power/shifting) button on the remote control and hold for 3 seconds to power on the remote control. The indicator light will illuminate.



Remote control battery level indication:
Green: 60%-100%
Yellow: 20%-60%
Red: Less than 20%

CHARGING THE REMOTE CONTROL

Use the magnetic end of the remote control charging cable to attach it to the charging port on the remote control. Connect the other end to a USB-A charger for charging. While charging, the yellow indicator light will flash. Once fully charged, the indicator light will turn solid green.

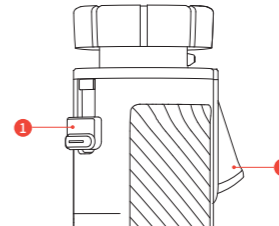


During charging, the yellow indicator light will flash.
Once fully charged, the indicator light will turn solid green.

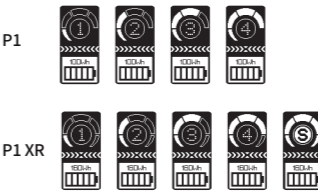
* The ambient must be undrt 25 °C when charging with adapter S100P.

THE REMOTE CONTROL CONTROLS THE MAIN UNIT

1. With the main unit powered on, slide the (power/shift) button on the remote control down and quickly release it to switch speed gears. Each slide increases the gear by one level.
2. Pull the trigger, the thruster starts. Release the trigger, the thruster stops.



The P1 with a 100Wh battery has 4 speed gears, while the P1 XR with a 160Wh battery has 5 speed gears.

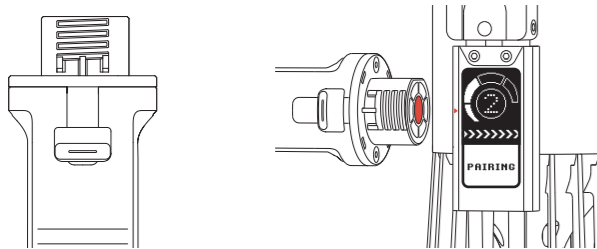


Low battery warning: When the battery level is below 20%, you will not be able to use speed gears 2 and above.

PAIRING THE REMOTE CONTROL WITH THE MAIN UNIT

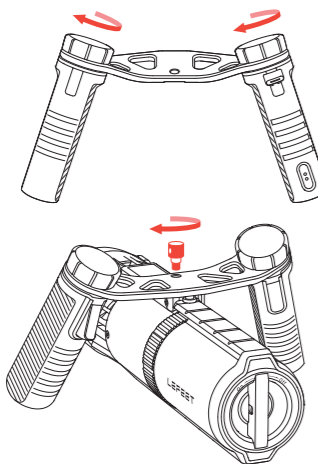
- When pairing is required:
1. Slide down the (power/shifting) button on the remote control and hold for 5 seconds until the white indicator light flashes, indicating the remote control enters pairing mode.
 2. Position the top center of the remote control towards the left triangle icon on the main unit's display screen, hold for 5 seconds until the display screen enters pairing mode.
 3. The remote control will automatically pair with the main unit. When the main unit's display screen returns to the standby interface, it indicates pairing is completed. At this point, you can either slide the (power/shifting) button on the remote control or press the trigger to exit pairing mode. Pairing is completed.

*One remote control can pair and operate up to 10 P1 Main units.



INSTALL THE BRACKET

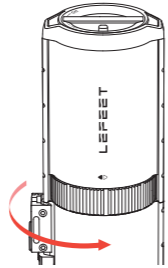
1. Thread the remote control through the fixed hole on the bracket, cover it with the screw cap, rotate clockwise, and tighten the remote control securely with slight force.
2. Thread the handle through the fixed hole on the bracket, cover it with the screw cap, rotate clockwise, and tighten the handle securely with slight force.



3. Align the positioning pin on the back of the bracket with the notch on the fixed base of the main unit bracket, then slide downwards.
4. Once aligned, hand tighten the screw clockwise.

CHARGING THE MAIN UNIT BATTERY AND EXTERNAL POWER SUPPLY.

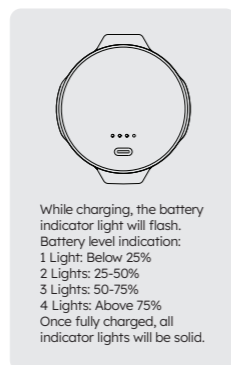
1. Rotate the battery ring counterclockwise following the direction of the hollow arrow to remove the battery. (Please ensure the battery is turned off before performing this operation.)
2. Attach the charging adapter to the battery plug end.
3. Use a USB-C charging cable to connect the charging adapter to a USB-C charger for charging. Make sure to use a charger and charging cable rated at 100W or above to ensure optimal charging speed.



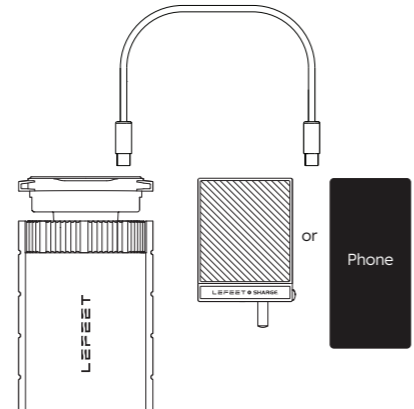
*Please make sure to turn off the battery before operating

Battery external charging:

When the battery switch is turned on and connected to devices such as smartphones via the charging adapter, it can charge external devices.
*Note: If the battery switch is turned off, and the connected device has external charging functionality, the battery will be charged.



While charging, the battery indicator light will flash. Battery level indication:
1 Light: Below 25%
2 Lights: 25-50%
3 Lights: 50-75%
4 Lights: Above 75%
Once fully charged, all indicator lights will be solid.



SPECIFICATIONS

	P1	P1 XR
NET WEIGHT (Including Battery)	2.4 kg / 5 lb	3.2 kg / 7 lb
DIMENSIONS	80*314.5*87.5mm	80*401*87.5mm
WORK TEMPERATURE	0°C-40°C	0°C-40°C
WATERPROOF DEPTH	60 m	60 m
SPEED SETTINGS	4 speed	5 speed
BATTERY RUNTIME	30-40 mins	40-90 mins
MAXIMUM THRUST	9 kgf	13 kgf
	100wh	160wh
NOMINAL VOLTAGE	3.6 V	3.6 V
STANDARD CHARGE VOLTAGE	4.2 V	4.2 V
NOMINAL CAPACITY	4.8 Ah	9.6 Ah
STANDARD CHARGE CURRENT	4 A	4 A
STANDARD DISCHARGE CURRENT	20 A	40 A
END OF DISCHARGE VOLTAGE	2.7 V	2.7 V
POWER CONSUMPTION OF BMS	<200µA	<200µA
CYCLE LIFE	250 cycles (capacity≥ 60%) 0.2C Discharge 23-31°C	250 cycles (capacity≥ 60%)
WEIGHT OF BATTERY	1 kg	1.8 kg
WATERPROOFING GRADE	IP68	IP68
ENVIRONMENTAL REQUIREMENT	ROHS 2.0 & Reach	ROHS 2.0 & Reach
INPUT	20 V, 5 A	
OUTPUT	25.2 V, 4 A	
LI-ION BATTERY CHARGER		
	LIGHT FLASHING -CHARGING, ALL LIGHT-FULL CHARGED	

*As the battery is consumed, the power will gradually weaken, and automatic speed reduction and speed level jumping may occur, or the high-speed level may not be available for use. This situation is considered normal.
*This data is for reference only. The actual duration of use will vary depending on different speed level, User weight, Usage environment, etc.

SAFETY WARNINGS

LEFEET P1/ P1 XR is designed with user safety as the top priority. However, Like any electronic sports product, using P1/P1 XR also carries certain risks (such as losing control). Therefore, it is very important to read and follow all instructions and warnings in the user manual and make good judgments when using it.

We consider the use of LEFEET P1/ P1 XR products as the user's acknowledgment and acceptance of all related risks and responsibilities that may arise during use, including but not limited to muscle injuries, fractures, tears, or other serious injuries. The use of LEFEET P1/ P1 XR is at your own risk. We are not responsible for accidents caused by a lack of common sense.

Children under 14 years old can only use it under the supervision of parents or other adults

For better safety, please read and follow all instructions and warnings in the user manual.

WARRANTY SERVICE

Main Unit LEFEET guarantees that the LEFEET P1/ P1 XR products you purchase are designed and manufactured according to the qualified standards. Under normal use, there is no functional defect during the warranty period. If you have any problem in the process of using, we recommend that you first check the user manual, furthermore, you can also download the user manual, FAQ, instructional video or support forum on our website.

SCOPE OF SERVICES.

Your LEFEET P1/ P1 XR includes a one-year limited hardware warranty which starts from the date of the sales invoice, the warranty period of the main body is 12 months while the warranty period of the battery is 6 months. If you cannot provide invoice or other valid proof of purchase, then the warranty period will start from 90 days after the production date that shows on the product, or otherwise specified by LEFEET. If repairs are not feasible or commercially unfeasible, we may replace this product with new or refurbished products with similar features. After repair, firmware upgrade and replacement, the replaced product or accessory will be covered by the same warranty during the remaining warranty period of the original product.

HOW TO OBTAIN AFTER-SALES SERVICES.

If a product does not function as warranted during the warranty period, please contact us through service@lefeet.com to obtain after-sales service. LEFEET may not offer after-sales service in certain area, the policy of after-sales service varies from different places. Additional charges may be required for services outside the regular service scope. Please contact us for information specific to your location.

WHAT TO DO BEFORE OBTAINING AFTER-SALES SERVICES.

Please specify the problems with the product after contacting LEFEET. LEFEET technicians will attempt to diagnose and resolve your problem by phone, email, or remote assistance. If your problem cannot be resolved over the telephone, you may be required to deliver the product to LEFEET for further examination. LEFEET will arrange for repair or replacement service under this Limited Warranty Service.

PRODUCT AND PART REPLACEMENT.

When after-sales service involves the replacement of a product or part, the replaced product or part becomes LEFEET's property and the replacement product or part becomes your property. Only unaltered LEFEET products and parts are eligible for replacement. Replacement products or parts provided by LEFEET may not be new, but it will be under good working order and at least functionally equivalent to the original product or part's capabilities. A replacement product or part shall be covered for the time remaining in the original product's warranty.

USE OF PERSONAL CONTACT INFORMATION.

If you obtain service under this policy, you authorize LEFEET to store, use, and process your contact information, including name, phone numbers, address, and e-mail address. You agree and understand that it is necessary for LEFEET to collect, process and use your information to perform service under this policy. We may contact you to inquire about your satisfaction with our service or to notify you about any product recalls or safety issues. In order to achieve these aims, you authorize LEFEET to transfer your information to any country where we do business and to provide it to entities acting on our behalf. We may also disclose your information where required by law.

WHAT THIS AFTER-SALES POLICY DOES NOT COVER.

• Collision or burning down accidents caused by man-made and non-product quality problems.
• Damage caused by unauthorized modification and dismantling of the shell under the guidance of the unofficial instruction manual.
• Damage caused by improper installation, use and operation not according to the user manual.
• The customer repairs the parts by himself or asks an unauthorized service organization to repair/modify the parts without official instructions.
• Damage caused by improper circuit modification guided by unofficial user manual and mismatch or misuse of the battery and charger.
• Damage caused by misuse of the product or handling of the product under environmental conditions not in accordance with the user manual.
• Damage due to peripherals, add-on devices, or accessories other than those recommended in the user manual.
• Damage caused by insufficient discharge when the battery is low or when using a battery with quality problems.
• The device has been damaged, including but not limited to damage caused by animals, lightning, abnormal voltage, fire, natural disasters and transportation.
• Products or parts with an altered identification label or from which the type number, serial number, production date has been removed or unrecognizable.
• The product cannot work properly because it is not used in the country/ area where it was originally designed and manufactured or approved for use.
• For third-party applications that you use on the product.

LIMITATION OF LIABILITY.

LEFEET only take charge of the loss or damage under following circumstances: Your product is owned by LEFEET or it is in LEFEET's transportation. Under no circumstance, and notwithstanding the failure of essential purpose of any remedy set forth herein, shall LEFEET, its affiliates, suppliers, dealers, or service providers be liable for any of the following even if informed of their possibility and regardless of whether the claim is based in contract, warranty, negligence, strict liability or other theory of liability: 1.hind party claims against you for damages; 2.Special, incidental, punitive, indirect or consequential damages, including but not limited to lost profits, business revenue, goodwill or anticipated savings. In no case shall the total liability of LEFEET, its affiliates, suppliers, dealers, or service providers for damages from any cause exceed the amount of actual direct damages, not to exceed the amount paid for the product.

Federal Communications Commission (FCC) Interference Statement

This equipment has been tested and found to comply with the limits for a Class A digital device, pursuant to Part15 of the FCC Rules.

These limits are designed to provide reasonable protection against harmful interference in a residential installation. This equipment generate, uses and can radiate radio frequency energy and, if not installed and used in accordance with the instructions, may cause harmful interference to radio communications.

However, there is no guarantee that interference will not occur in a particular installation. If this equipment does cause harmful interference to radio or television reception, which can be determined by turning the equipment off and on, the user is encouraged to try to correct the interference by one of the following measures:

- Reorient or relocate the receiving antenna.
- Increase the separation between the equipment and receiver.
- Connect the equipment into an outlet on a circuit different from that to which the receiver is connected.
- Consult the dealer or an experienced radio/TV technician for help.

This device complies with Part 15 of the FCC Rules. Operation is subject to the following two conditions:

- (1) This device may not cause harmful interference, and (2) this device must accept any interference received, including interference that may cause undesired operation.

FCC Caution: Any changes or modifications not expressly approved by the party responsible for compliance could void the user's authority to operate this equipment.

RF exposure compliance

This equipment complies with FCC radiation exposure limits set forth for an uncontrolled environment.

CE Statement:



SAFETY WARNINGS

1. Restrictions
"There are no restrictions of use"
2. Frequency band(s) in which the radio equipment operates
Maximum radio-frequency power transmitted in the frequency band(s) in which the radio equipment operates.

Operation Frequency band	Declared Max. Power (EIRP)
125kHz	0.1mW
3. EU Declaration of Conformity
The device is in compliance with essential requirements and other relevant provisions of the Radio Equipment Directive 2014/53/EU.
The full text of the EU declaration of conformity is available at the following internet address: www.lefeet.com
4. Manufacturer & Local Representative name, address
EU Regulatory Contact: SUCCESS COURIER SL
Address: CALLE RIO TORMES NUM. 1, PLANTA 1, DERECHA, OFICINA 3,Fuenlabrada, Madrid,28947 Spain, successservice2@hotmail.com
5. RF Exposure Information
This equipment complies with EU & UKCA radiation exposure limits set forth for an uncontrolled environment.



UKCA Statement:
UK Declaration of Conformity
National Restrictions
Attention: This device may only be used indoors in Great Britain.

- Frequency band(s) in which the radio equipment operates
Maximum radio-frequency power transmitted in the frequency band(s) in which the radio equipment operates.

Operation Frequency band	Declared Max. Power (EIRP)
125kHz	0.1mW
- EU Declaration of Conformity
The device is in compliance with essential requirements and other relevant provisions of the Radio Equipment Regulations 2017.
The full text of the UKCA declaration of conformity is available at the following internet address: www.lefeet.com
Manufacturer & Local Representative name, address
UKCA Regulatory Contact: GOAL REACH CONSULTING LTD.
Address: OFFICE 1029 3 HARDMAN STREET 10TH FLOOR, SPINNINGFIELDS MANCHESTER, UK M3 3HF, goalsservice@hotmail.com
RF Exposure Information
This equipment complies with UKCA radiation exposure limits set forth for an uncontrolled environment.



Moving fan blade Keep body parts away from fan blades.
Please cut off the power when repairing or cleaning the propeller.

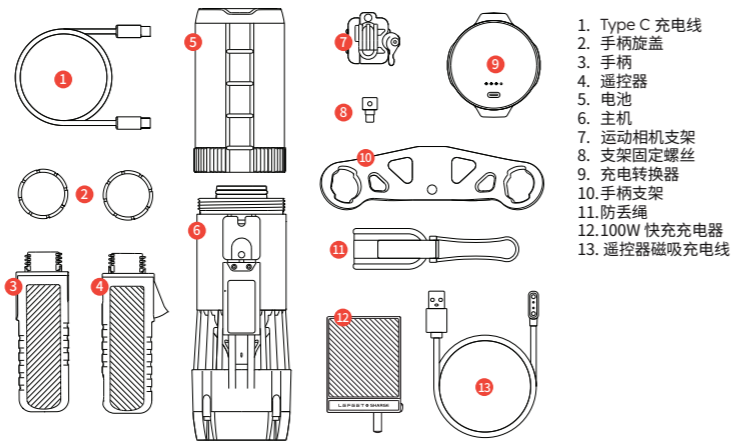
P1/P1 XR

使用说明书

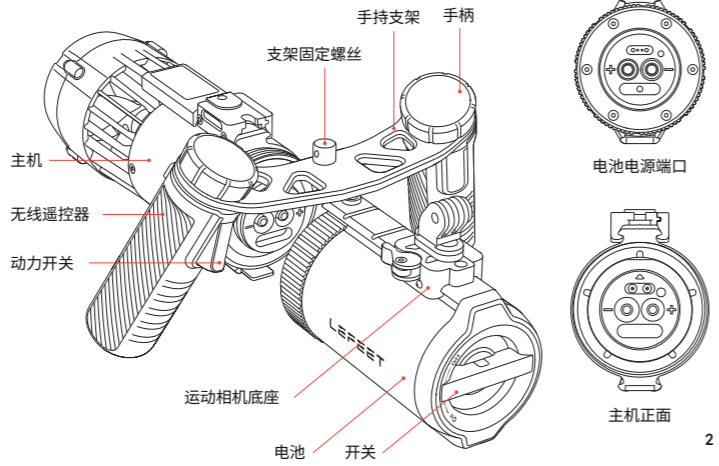


更多信息可在线获取

产品清单



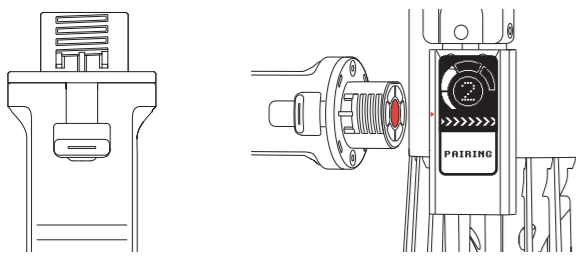
产品图示



遥控器与主机配对

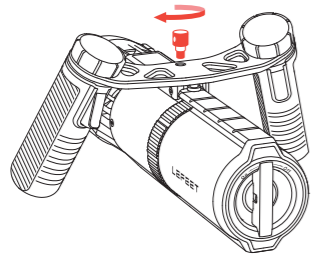
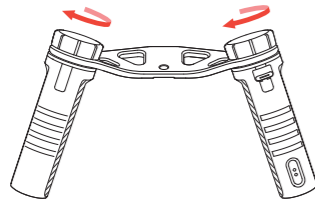
- 出厂时遥控器与主机为配对状态，如需进行配对：
1. 向下滑动遥控器的（开关 / 换挡）按钮并保持 5 秒钟直到白色指示灯闪烁，遥控器进入配对模式。
 2. 将遥控器顶部中心对准主机显示屏左侧三角图标，保持 5 秒直到显示屏显示进入配对模式。
 3. 遥控器将与主机进行自动配对，主机显示屏回到待机界面表示配对完成。此时可以通过划动遥控器的（开关 / 换挡）按钮或者按动遥控器扳机使遥控器退出配对模式。配对完成。

* 一个遥控器可以配对并操控最多 10 台 P1 主机。



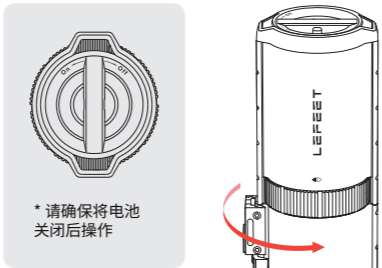
安装支架

1. 将遥控器穿过支架的固定孔，盖上旋盖，顺时针旋转，稍用力旋紧固定好遥控器。
2. 将手柄穿过支架的固定孔，盖上旋盖，顺时针旋转，稍用力旋紧固定好手柄。



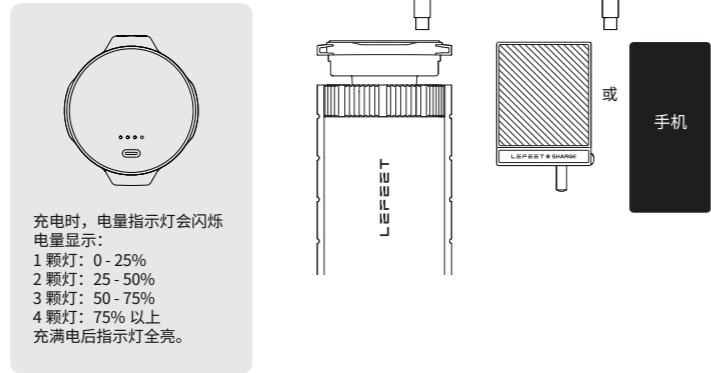
主机电池充电和对外供电

1. 逆时针按照空心箭头方向旋转电池环可将电池取下。
2. 将充电转换器扣在电池插头端。
3. 用 USB C 充电线将充电转换器与 USB C 充电器连接进行充电。请确保使用 100W 以上的充电器和充电线以保证达到理想的速度。



电池对外充电：
当电池开关打开并通过充电转换器连接至手机等设备时，可对外部设备进行充电。

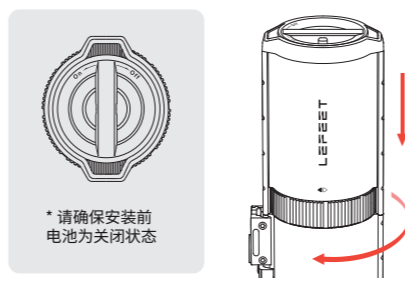
* 注意：如果电池开关为关闭状态，连接的设备具有对外充电功能时，将会对电池进行充电。



充电时，电量指示灯会闪烁
电量显示：
1 颗灯：0 - 25%
2 颗灯：25 - 50%
3 颗灯：50 - 75%
4 颗灯：75% 以上
充满电后指示灯常亮。

安装电池

1. 将电池向下对准主机的电池接口，请通过缺口判断正确的方向。
2. 顺时针按照实心箭头方向旋转电池环锁定电池。旋转直到电池与主机间没有间隙。
(如果防水圈阻力过大，可稍向下按压电池，旋转电池环。)



主机开机

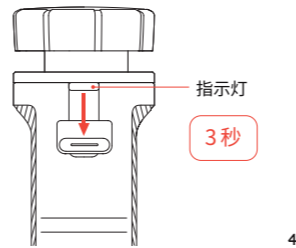
1. 向 on 的方向旋转 90°，主机开机。
2. 听到开机提示音，屏幕亮起。



遥控器

向下滑动遥控器的（开关 / 换挡）按钮持续 3 秒，遥控器开机，指示灯亮起。

遥控器电量显示：
绿色：60%-100%
黄色：20%-60
红色：电量低于 20%



规格

	P1	P1 XR	
主机	重量 (含电池)	2.4 kg / 5 lb	3.2 kg / 7 lb
	尺寸	80*314.5*87.5mm	80*401*87.5mm
	工作温度	0°C-40°C	0°C-40°C
	防水深度	60 m	60 m
	速度档位	4 档速度	5 档速度
	续航时间	30-60 mins	40-90 mins
	最大推力	9 kgf	13 kgf
	标称电压	4.2 V	4.2 V
	标称容量	4.8 Ah	9.6 Ah
	标准充电电流	4 A	4 A
电池	标准放电电流	20 A	40 A
	放电截止电压	2.7 V	2.7 V
	BMS 休眠功耗	<200 μA	<200 μA
	循环寿命 (容量 ≥ 60%) 0.2C 放电 23±3°C	250 次循环	250 次循环
锂离子电池充电器	重量	1 kg	1.8 kg
	防水等级	IP68	IP68
	环保要求	ROHS 2.0 & Reach	ROHS 2.0 & Reach
	输入	20V, 5A	
	输出电压	25.2 V, 4A	
	灯闪烁	充电中	
全部亮起	充满电		

* 随着电池电量消耗，动力将逐渐减弱，会出现自动降速跳档位或无法使用高速档的情形，此情形视为正常适用范围；
* 本数据仅供参考。具体使用时会长会因为不同档位、使用者体重、使用环境等而有所变化。

安全警示

LEFEET P1/P1 XR 的设计考虑到了用户的安全最大化。然而与任何电子运动产品一样，P1/P1 XR 的使用也会有一定的风险（例如：失控）。因此，阅读和遵守《使用说明书》中的所有指示和警告，并在使用时做出良好的判断是非常重要的。我们将使用 LEFEET P1/P1 XR 产品的行为视为用户承认并接受使用时所产生的所有相关风险和责任。这些风险包括但不限于肌肉损伤、骨折、撕裂或其它严重伤害。使用 LEFEET P1/P1 XR 需自行承担风险。由于缺乏常识而发生的意外事故，一律概不负责。14 岁以下儿童请在家长或有其他成年人监护的情况下才可以使

遥控器充电

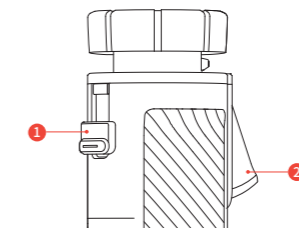
请用遥控器充电线磁吸附在遥控器的充电磁接口。
另外一边连接在 USB-A 充电器上进行充电。



* 使用 S100P 适配器充电时环境温度必须低于 25 °C。

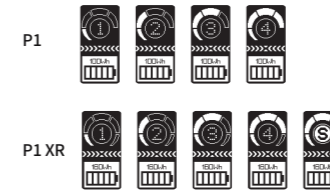
遥控器控制主机

1. 主机开机状态下，向下滑动遥控器的（开关 / 换挡）按钮并迅速松开进行速度档位切换，每滑动一次档位增加一档。
2. 扣动扳机，推进器启动。
3. 松开扳机，推进器停止。



P1 100Wh 电池具有 4 个速度档位。
P1 XR 160Wh 电池具有 5 个速度档位。

低电量预警：当电池电量低于 20% 时，将不能使用 2 档及以上速度档位。



为了更好地确保您的安全，请阅读并遵循《使用说明书》中的所有指示和警告。

责任限制

LEFEET 朗非创新仅在下列情况下对产品的丢失或损坏负责：产品已为 LEFEET 朗非创新所拥有；或产品在 LEFEET 朗非创新运输的途中。
对于以下情况，无论本文规定的任何救济是否达到其根本目的，也不论索赔是基于合同、担保、疏忽、严格责任或其它责任理论，LEFEET 朗非创新及其关联企业、供应商、经销商或服务供应商概不负责：
1) 第三方向您提出损害赔偿；
2) 特别的、附带的、间接的或继发的损害，包括但不限于利润、业务收入、商誉或预期可节省金额等方面的损失。
无论损害基于任何原因，LEFEET 朗非创新及其关联企业、供应商、经销商或服务供应商的全部责任仅限于您实际遭受的直接损失，并且不高于您购买产品付出的金额。

保修服务

尊敬的客户，LEFEET 朗非创新保证，您购买的 LEFEET P1/ P1 XR 产品均按照合格的标准进行设计和制造，在正常使用情况下，在保修期内没有功能缺陷。
如果您在使用产品的过程中遇到任何困难，建议您先查阅产品的用户手册，您也可以在我们的网站上下载到用户手册、常见问题解答、教学视频或支持论坛。

服务范围

您的 LEFEET P1/ P1 XR 包含为期一年的硬件保修服务。本产品的保修期从销售发票开具当日算起，主机保修期限为 12 个月，主机电池保修期限为 6 个月。
若您无法提供购买发票等有效证据，则保修起始日期以机器所示的生产日期向后顺延 90 个自然日或由 LEFEET 朗非创新另行规定。
如果维修不可行或者商业上不可行，我们可能会使用具有类似功能的新产品或者翻新产品来替换此产品。在维修固件升级或者更换后，更换的产品或配件在原产品剩余的保修期内享有同等的保修服务。

如何获得售后服务

在保修期间，若产品不能实现所保证的功能，请联系客服邮箱 :service@lefeet.com 以获取相应的售后服务。LEFEET 朗非创新可能在某些地区不提供售后服务，且售后服务政策的内容也可能因地而异。常规服务范围内的服务可能需要另行收费。
如欲了解本地信息，请联系 LEFEET 朗非创新客服。

获得售后服务的准备工作

联系 LEFEET 朗非创新后，请您详细说明产品存在的问题。
LEFEET 朗非创新技术支持人员将尝试通过电话、电子邮件或远程协助来诊断和解决您的问题。
如果通过电话无法解决您的问题，您需将产品寄回 LEFEET 朗非创新进行进一步检测。
LEFEET 朗非创新会按产品享有的保修服务安排维修。

更换产品和部件

如果保修服务涉及更换产品或部件，那么被更换的产品或部件将成为 LEFEET 朗非创新的财产，而被更换的产品或部件将成为您的财产。
只有未经改动的 LEFEET P1/ P1 XR 和部件方可进行更换。
LEFEET 朗非创新提供的更换产品或部件可能不是全新的，但它们肯定处于良好的工作状态，至少在性能上与被更换件等同。
更换的产品或配件在原产品剩余的保修期内享有同等的保修服务。

个人联系信息的使用

如果您根据本保修条款获取服务，即表示您授权 LEFEET 朗非创新存储、使用和处理您的联系信息，包括姓名、电话号码、地址和电子邮件地址等。
LEFEET 朗非创新可利用这些信息开展本政策项下的服务。我们可能会联系您，询问您对我们的保修服务是否满意，或就任何产品召回或安全问题向您发出通知。

为实现上述目标，您授权 LEFEET 朗非创新将您的信息转移到我们开展业务的任何国家或地区，并可以将其提供给我们的代表机构。如果法律要求，我们也可以披露这些信息。

非售后政策保障范围

本政策不包括或不适用以下情况：
发生人为的非产品本身质量问题导致的碰撞、烧毁事故；
发生非官方说明书指导的私自改装、拆解、开壳等行为而造成的损坏；
未按说明书指导的不正确安装、使用及操作所造成的损坏；
在无官方说明指导的情况下，客户自行维修或请未经官方授权的服务机构维修 / 修改部件导致的损坏；
因非官方说明书指导的电路改造或电池组、充电器的匹配使用不当导致的损坏；
滥用产品或者在不符合产品用户手册中环境条件下操控导致的损坏；
由于连接用户手册推荐产品之外的外设、附加设备或者附件造成的损坏；
在电量不足时或使用存在质量问题的电池导致放电不足而产生的损坏；
装置已经损坏，包括但不限于由于动物、雷电、异常电压、火灾、自然灾害、运输造成的损坏；
改动或撕下识别标签的产品或部件导致产品上的型号、序列号、或者生产日期已涂改、去除或者无法被辨认；
产品因未在最初设计、制造或者批准使用的国家 / 地区使用而无法正常工作。

可以通过 www.lefeet.com 获得您购买的 LEFEET P1/P1 XR 的更多使用方式。