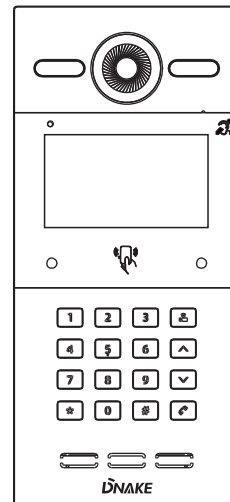




DOOR  
STATION

**MODEL:**  
S615

QUICK START GUIDE





## REMARK

---

Please follow the user manual for correct installation and testing. If there is any doubt please call our tech-supporting and customer center.

Our company applies ourselves to reformation and innovation of our products. No extra notice for any change. The illustration shown here is only for reference. If there is any difference, please take the actual product as the standard.

The product and batteries must be handled separately from household waste. When the product reaches the end of service life and needs to be discarded, please contact the local administrative department and put it in the designated collection points in order to avoid the damage to the environment and human health caused by any disposal. We encourage recycling and reusing the material resources.

## CATALOG

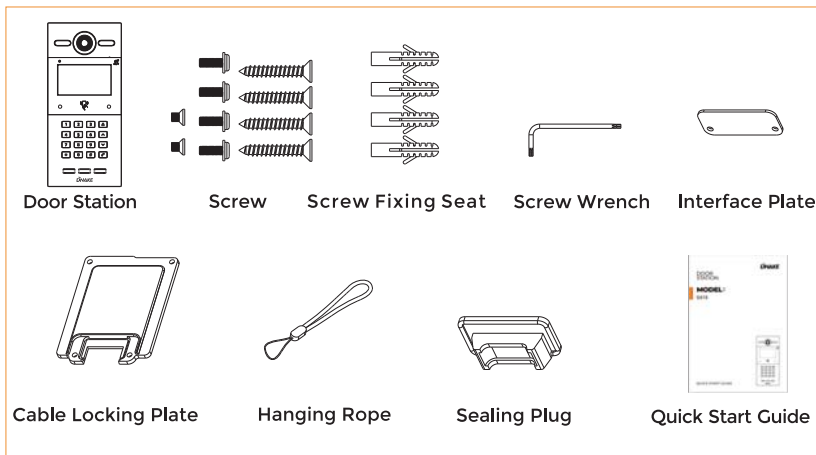
Package Contents .....	1
Pictures .....	1
Basic Operation.....	2
System Configuration .....	3
System Diagram.....	4
Installation.....	7
Safety Instructions.....	10

**For specific operation instructions, please scan the following QR code to obtain the full version of the User Manual.**

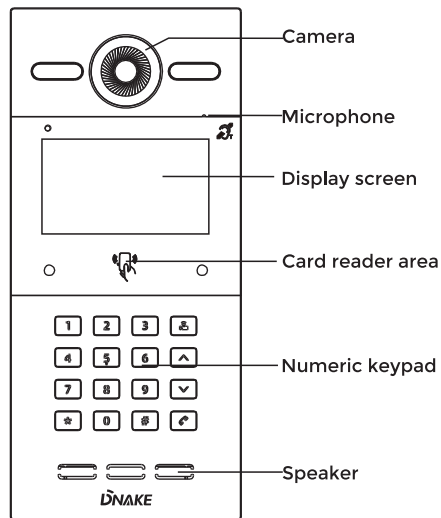


# PACKAGE CONTENTS

Please make sure the package contains the following items :



# PICTURES



# BASIC OPERATION

## 1. Calling indoor monitor

In a standby mode, input room number on door station, for example, when inputting "123" on door station, then press "#" to enter the call state.

Note: During communication, pressing "\*" on the door station, the call gets disconnected.

## 2. Phonebook

In a standby mode, press "▲" or "▼" button on the keypad to open phonebook page. Select and press "#" or "☎" on the keypad to call.

## 3. Unlock the door

### 3.1. Unlocking by PIN Code

In a standby mode, press "#" key and enter the PIN Code(default is 0000). Then press "#" key again to confirm. If the PIN Code is correct, the door will be unlocked; if not, it will make a sound like "clatter clatter".

### 3.2. Unlocking by IC/ID card

Put the registered IC/ID card on card reader area of the door station. If successful, the door will be unlocked.

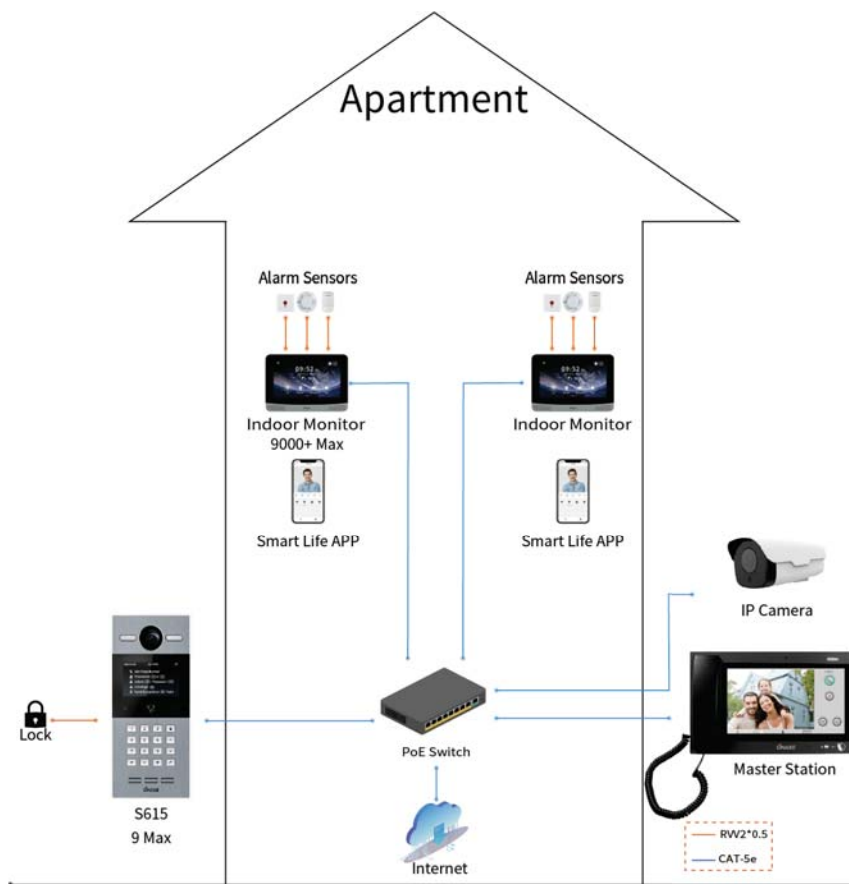
## 4. Calling concierge

In a standby mode, press "☎" to call concierge directly. During ringing, press "\*" key to cancel the call.

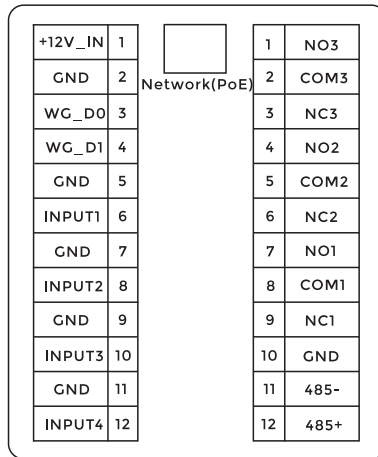
## 5. Face Recognition

When someone looks at the LCD screen, door station will automatically start the face recognition or the user can press the "\*" key twice to enable the face recognition. If the face ID has been registered, the door will be unlocked.

# SYSTEM CONFIGURATION



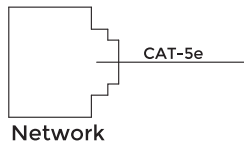
# SYSTEM DIAGRAM



## 1. Network(PoE)

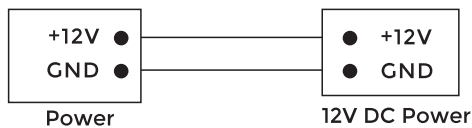
Standard RJ45 interface connects with master station, indoor monitor or other network equipment by network switch.

PSE of power supply equipment shall comply with IEEE 802.3at (POE plus), with output power not less than 30W and output voltage not less than 50V.



## 2. Power

Power interface of door station connects with 12V DC power.



### 3. Switching Value Output

Connect to the lock module (independent power supply is necessary for the lock).

NO3 ●	Normally open port of relay
COM3 ●	Common port of relay
NC3 ●	Normally closed port of relay
NO2 ●	Normally open port of relay
COM2 ●	Common port of relay
NC2 ●	Normally closed port of relay
NO1 ●	Normally open port of relay
COM1 ●	Common port of relay
NC1 ●	Normally closed port of relay

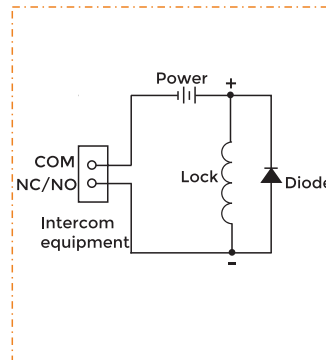
Switching Value Output

### Warning

1. When connecting to an inductive load device such as a relay or electromagnetic lock, you are recommended to use a diode 1A/400V (included in the accessories) in anti-parallel with the load device to absorb inductive load voltage peaks. Intercom will be better protected in this way.

2. The load current of the relay cannot be greater than 2A.

See attached picture for more details.

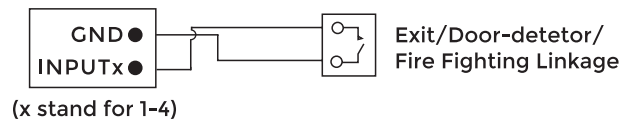


### 4. RS485

Enable to connect equipment with RS485 interface.



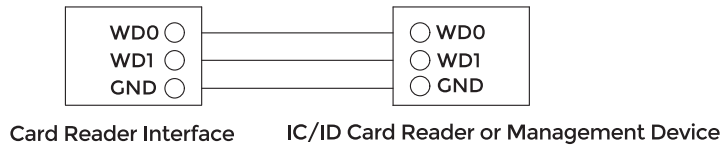
### 5. Exit/Door-detector/Fire Fighting Linkage





## 6. Card Reader Interface

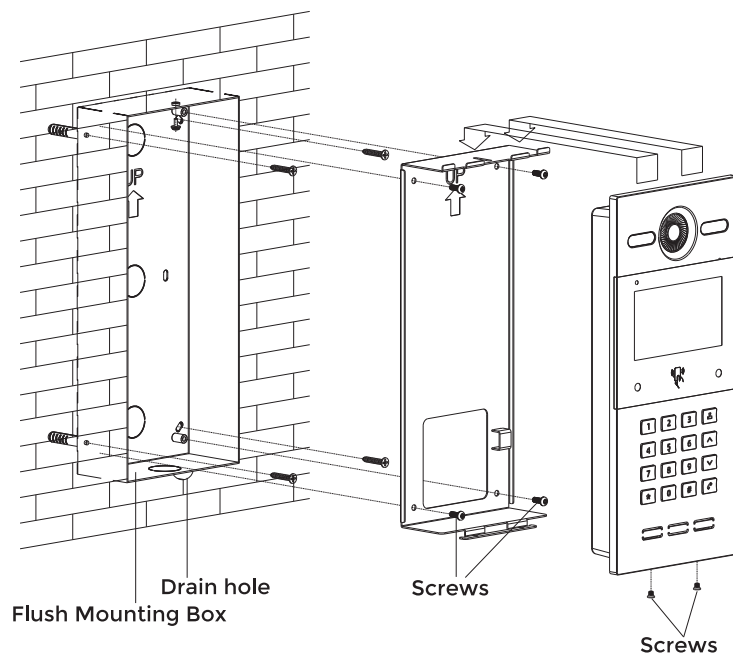
The interface can be connected to one IC/ID card reader or be used for reading the information of built-in card reader.



Note: Door station can only be connected to one card reader or management device at a time.

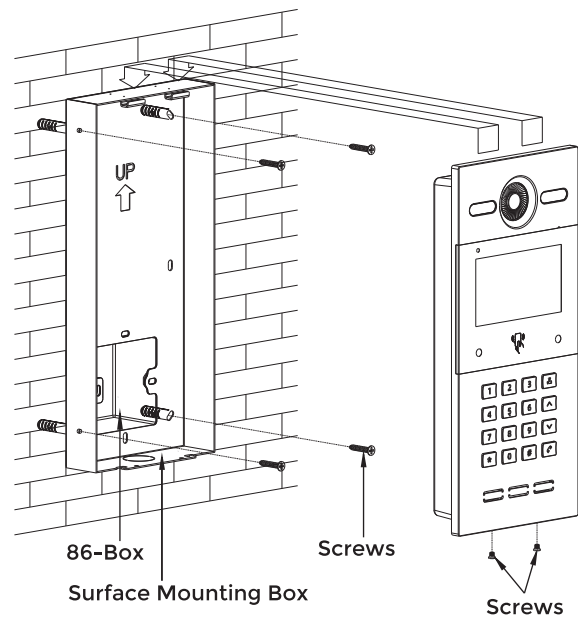
# INSTALLATION

MODEL: S615(Flush Mounting)



Product dimension: 133x295x41mm  
Flush mounting product dimension: 133x295x63.5mm  
Hole-cutting dimension: 124x289x56mm

MODEL: S615(Surface Mounting)

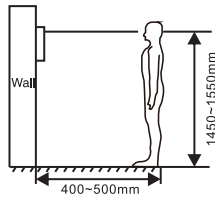


Product dimension: 133x295x41mm  
Surface mounting product dimension: 133x295x43mm

### Installation method:

1. According to the installation dimension of door station, dig a square groove at the appropriate position in the wall or door, and dig a hole (drainage hole) at the bottom;
2. Drill the threading holes at the bottom of the built-in box to facilitate drainage. Upward arrow is on the front of the built-in box. Embed the built-in box into the wall, then put the built-in box into the groove of the wall, and tighten four screws from top to bottom of the built-in box, or fix the built-in box in the wall with concrete;
3. Assemble the door station into the built-in box, align the groove and the built-in box, tighten the screws, and finally inject the glass glue into the top, left and right sides of the door station(note: the glass glue cannot be injected into bottom part that is reserved for the drainage hole at the bottom of door station).

### Installation Instructions:



**[Suggestion]:** The camera should be 1450~1550mm above the ground. The camera at this height can capture human face perfectly.

## SAFETY INSTRUCTIONS

In order to protect you and others from harm or your device from damage, please read the following information before using the device.

Do not install the device in the following places:

- Do not install the device in high-temperature and moist environment or the area close to magnetic field, such as the electric generator, transformer or magnet.
- Do not place the device near the heating products such as electric heater or the fluid container.
- Do not place the device in the sun or near the heat source, which might cause discoloration or deformation of the device.
- Do not install the device in an unstable position to avoid the property losses or personal injury caused by the falling of device.

Guard against electric shock, fire and explosion:

- Do not use damaged power cord, plug or loose outlet.
- Do not touch the power cord with wet hand or unplug the power cord by pulling.
- Do not bend or damage the power cord.
- Do not touch the device with wet hand.
- Do not make the power supply slip or cause the impact.
- Do not use the power supply without the manufacturer's approval.
- Do not have the liquids such as water go into the device.

Clean Device Surface

- Clean the device surfaces with soft cloth dipped in some water, and then rub the surface with dry cloth.

Other Tips

- In order to prevent damage to the paint layer or the case, please do not expose the device to chemical products, such as the diluent, gasoline, alcohol, insect-resist agents, opacifying agent and insecticide.
- Do not knock on the device with hard objects.
- Do not press the screen surface. Overexertion might cause flopover or damage to the device.
- Please be careful when standing up from the area under the device.
- Do not disassemble, repair or modify the device at your own discretion.
- The arbitrary modification is not covered under warranty. When any repair required, please contact the customer service center.
- If there is abnormal sound, smell or fume in the device, please unplug the power cord immediately and contact the customer service center.
- When the device isn't used for a long time, the adaptor and memory card can be removed and placed in dry environment.
- When moving, please hand over the manual to new tenant for proper usage of the device.

**FCC Radiation Exposure Statement:**

This equipment complies with FCC radiation exposure limits set forth for an uncontrolled environment. This equipment should be installed and operated with minimum distance 20cm between the radiator & your body.

**FCC Warning**

This device complies with Part 15 of the FCC Rules. Operation is subject to the following two conditions:

(1) This device may not cause harmful interference, and (2) this device must accept any interference received, including interference that may cause undesired operation.

NOTE 1: This equipment has been tested and found to comply with the limits for a Class B digital device, pursuant to part 15 of the FCC Rules. These limits are designed to provide reasonable protection against harmful interference in a residential installation. This equipment generates uses and can radiate radio frequency energy and, if not installed and used in accordance with the instructions, may cause harmful interference to radio communications. However, there is no guarantee that interference will not occur in a particular installation. If this equipment does cause harmful interference to radio or television reception, which can be determined by turning the equipment off and on, the user is encouraged to try to correct the interference by one or more of the following measures:

- Reorient or relocate the receiving antenna.
- Increase the separation between the equipment and receiver.
- Connect the equipment into an outlet on a circuit different from that to which the receiver is connected.
- Consult the dealer or an experienced radio/TV technician for help.

NOTE 2: Any changes or modifications to this unit not expressly approved by the party responsible for compliance could void the user's authority to operate the equipment.

V1.1  
60011014431

 **EASY & SMART  
INTERCOM SOLUTIONS**

 **DNAKE**