



東莞市仕研電子通訊有限公司

DONGGUAN SEYA ELECTRONIC COMMUNICATION CO.,LTD

供應商料号: SY-W402000G090C-L01

(Supplier part number)

产 品 名 称: WIFI ANTENNA

(Product name)

产 品 规 格: 2.4G WIFI ANTENNA FOR 907M-S26

(product specification)

地 址: 广东省东莞市大朗镇聚祥一路 26 号

ADD: No. 26, Juxiang 1st Road, Dalang Town, Dongguan
City, Guangdong Province



東莞市仕研電子通訊有限公司

DONGGUAN SEYA ELECTRONIC COMMUNICATION CO.,LTD





東莞市仕研電子通訊有限公司

DONGGUAN SEYA ELECTRONIC COMMUNICATION CO.,LTD

Electrical Properties

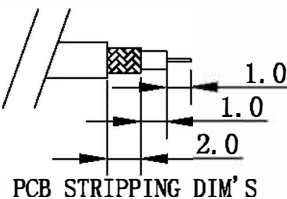
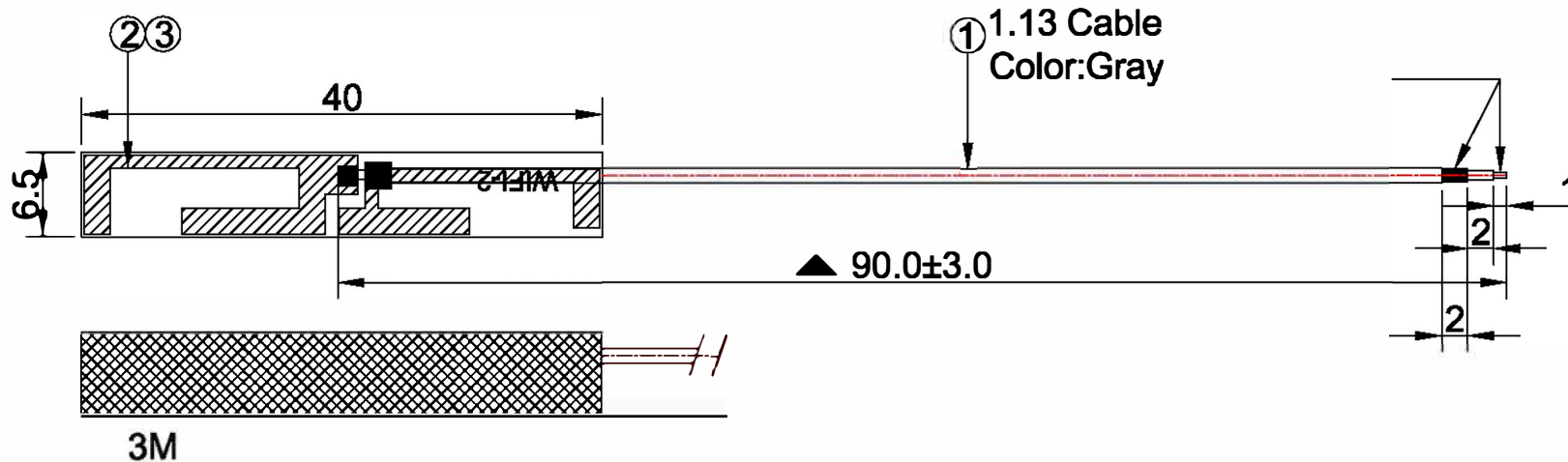
Frequency	2400-2500MHz
Impedance	50 Ohm Nominal
Return Loss	< -10 dB
VSWR	≤2.0
Peak GAIN	2.16 dBi

Physical Properties

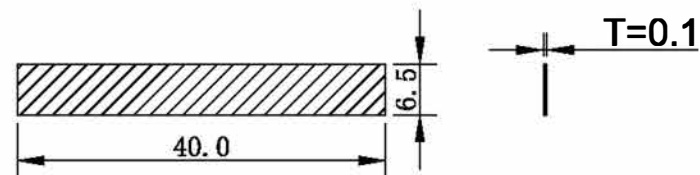
Antenna Material	Antenna ingredient: PCB
Cable Type	Φ1.13 CABLE
Operating Temp.	-40 ~ +85 °C
Storage Temp.	-45 ~ +85 °C
Cable Color	Gray

RoHS

REV.	CONTENT	DATE
A		2023.02.03



③ , size: 40.0*6.5*0.1mm

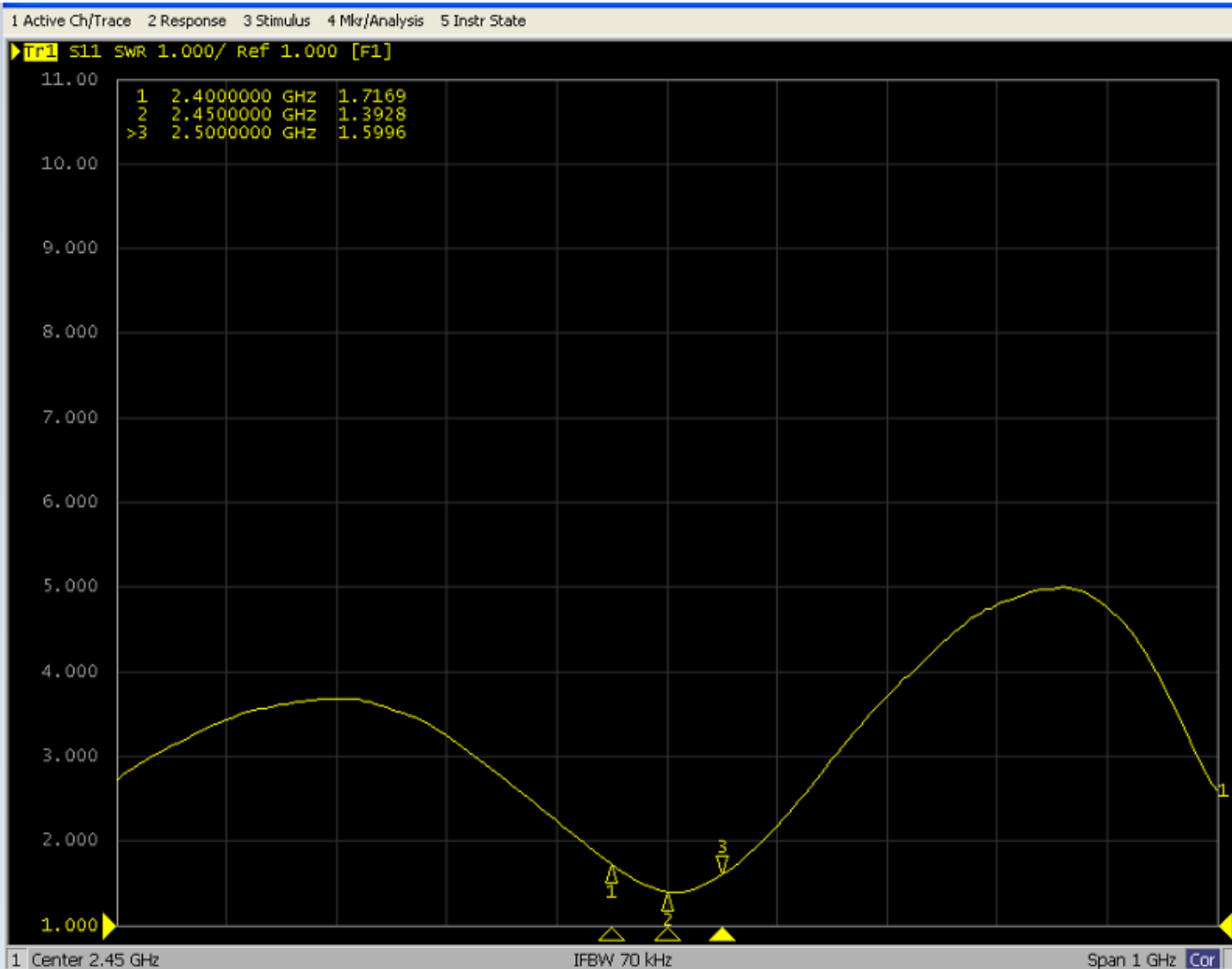


VSWR: ≤ 2.0
PEAK GAIN: 3dBi

NO.	Name	Finished	Qty	CUSTOMER			
3	EVA100XXA.P01	3M double-sided tape , size: 40.0*6.5*0.1mm	1PC	DONGGUAN SEYA ELECTRONIC COMMUNICATION CO.,LTD			
2	PCB10113A	antenna PCB FR-4, Size: 47.5 * 7.5 *0.6mm	1PC	TITLE: 2.4-5.8G WIFI ANTENNA FOR 907M-S26			
1	COA11301A	Ø1.13mm Coaxial Cable (grey) L=90.0mm	1PC	S. H P/NO: SY-W402000G090C-L01			
				SIZE	DRAWN	CHECKED	APPROVED
				A4	Patrick	Jerry	Jammy
				UNIT:mm	TOLERANCE UNLESS OTHERWISE SPECIFIED		
				SHEET: 1/1	ANGLES $\pm 0.5^\circ$	X. ± 2.0	
				SCALE: 1/1	X. XX ± 0.2	XX. ± 5.0	
					X. X ± 0.5	DATE: 2023. 02. 03	

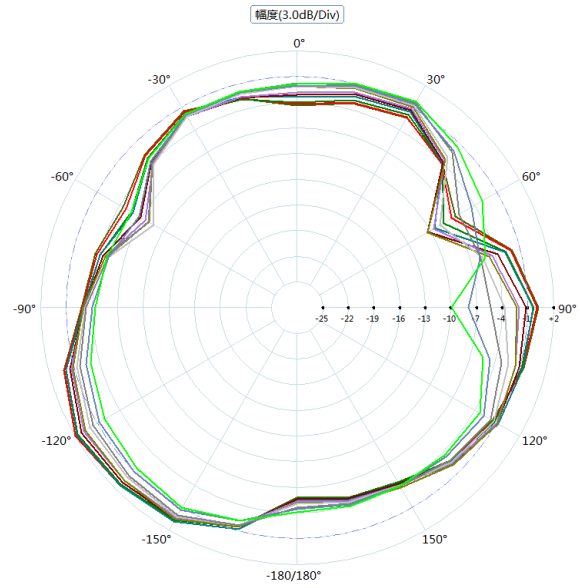
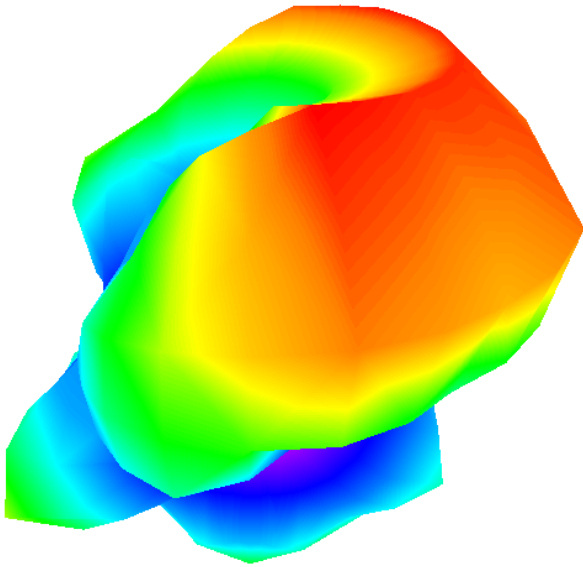


S-Parameters





Efficiency and Peak Gain



PASSIVE	参数\频率 (mhz)	2400	2410	2420	2430	2440	2450	2460	2470	2480	2490	2500
	Peak Gain(dBi)	1.76	1.59	1.78	1.55	2.16	1.57	1.88	2.09	1.66	1.74	2.11
Efficiency(%)	57.82	51.24	53.49	56.34	61.44	56.24	57.83	63.51	51.13	56.34	64.35	