



USER MANUAL |

ROCKY TALKIE RADIO SYSTEM



FCC&RSS Warning

Any Changes or modifications not expressly approved by the party responsible for compliance could void the user's authority to operate the equipment.

SAR tests are conducted using standard operating positions accepted by the FCC/ISED with the device transmitting at its highest certified power level in all tested frequency bands, although the SAR is determined at the highest certified power level, the actual SAR level of the device while operating can be well below the maximum value. Before a new model is available for sale to the public, it must be tested and certified to the FCC/ISED that it does not exceed the exposure limit established by the FCC/ISED. Tests for each product are performed in positions and locations as required by the FCC/ISED.

For body worn operation, this device has been tested and meets the FCC/ISED RF exposure guidelines when used with an accessory designated for this product when used with an accessory that Contains no metal.

To maintain compliance with the FCC/ISED's RF exposure guidelines, hold the transmitter and antenna at least 1 inch(2.5 centimeters) for your face and speak in a normal voice, with the antenna pointed up and away from the face.

This equipment complies with FCC/ISED radiation exposure limits set forth for an uncontrolled environment. In order to comply with the FCC/ISED RF exposure requirements, the antenna installation must comply with following:

Users must be fully aware of the hazards of the exposure and able to exercise control over their FC exposure to qualify for the higher exposure limits.

Your wireless hand-held portable transceiver contains a low power transmitter. This product sends out radio frequency(RF) signals when the Push-to-Talk(PTT)button is pressed.

The device is authorized to operate at a duty factor not to exceed 50%.

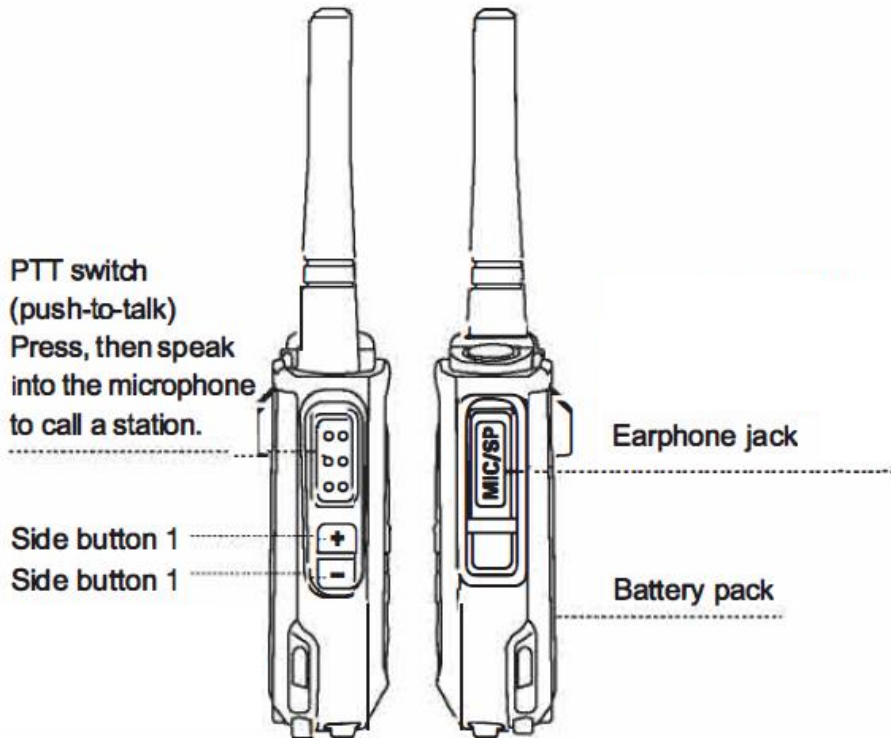
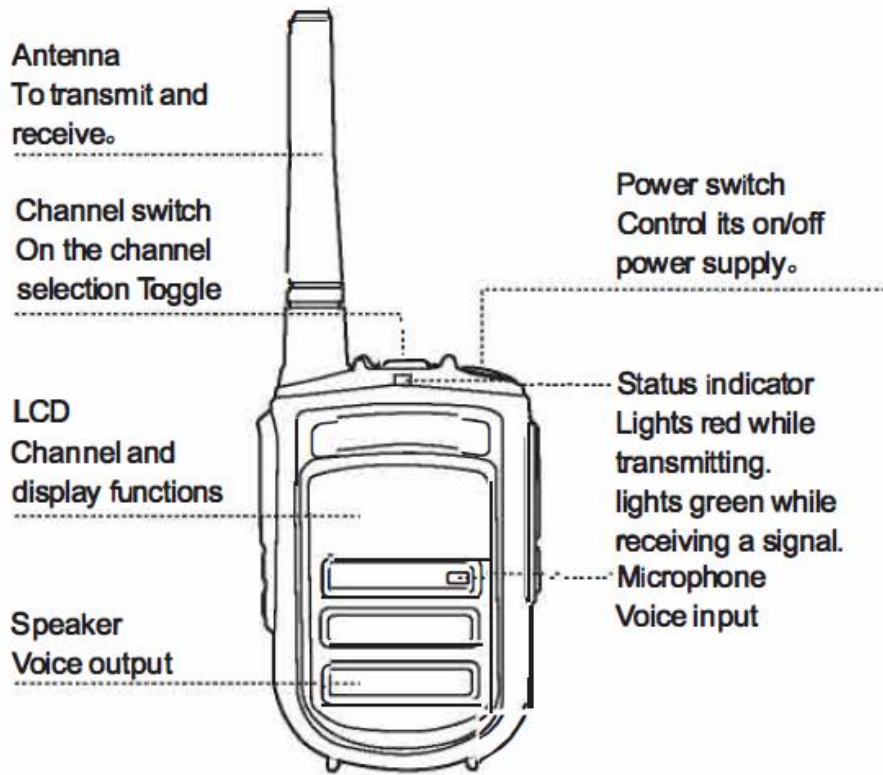
The device complies with FCC/ISED license exempt RSS standard(s). Operation is subject to the following two conditions: (1) this device may not cause interference, and (2) this device must accept any interference, including interference that may cause undesired operation of the device.

Le présent areil est conforme aux CNR d'ISED licables aux areils radio exempts de licence.

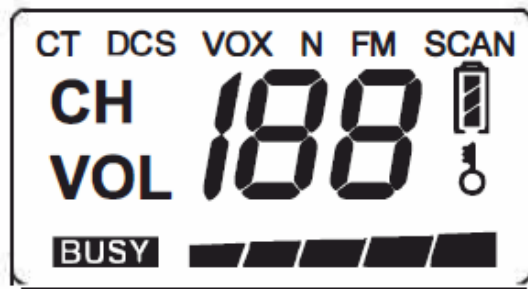
L'exploitation est autorisée aux deux conditions suivantes:

- (1) l'areil ne doit pas produire de brouillage, et
- (2) l'utilisateur de l'appareil doit accepter tout brouillage radioélectrique subi, même si le brouillage est susceptible d'en compromettre le fonctionnement.




Radio Diagram



LCD Display Screen



ICON DESCRIPTION

No	ICON	FUNCTION DESCRIPTION
1	CT	CTCSS status
2	DCS	DCS status
3	VOX	To make the radio transmit automatically when you speak.
4	N	Narrow band mode
5	FM	Radio mode
6	SCAN	To listen to communication activities on other channels.
7	CH	Channel
8	VOL	Volume indication
9	188	Channel number
10	BUSY	Busy channel lockout
11		Battery indication
12		Keyboard lock
13		Receiving status: Received signal strength Transmitting status: High/Low power indication

Technical Specifications

General

Frequency Range	462.5500-462.7250MHz; 467.5625-467.7125MHz
Channel capacity	22 channels
Working voltage	DC 4.2V
Antenna impedance	50
Frequency Stability	+/-2.5ppm
Working mode	Simple
Battery capacity	1550 mAh
Working temperature	0 to 120 F
Weight	133g (not containing antenna)
Dimensions	179mm(L)*61mm(W)*30mm(H)

Transmitter

Output power	High Power: 28.68dBm Low Power:21.63dBm
Modulation mode	F3E
Maximum deviation	<2.5KHz
Spurious radiation	<7.5uW
Adjacent Channel Power	<-60db

Receiver

RF sensitivity (12db SINAD)	.25uV / 12.5 KHz
Audio Distortion	<10%
Audio Power	<1W

Battery Information

Charging Li-ion Battery

Please charge the battery before using. Completing a charge-discharge cycle two times can make the battery capacity achieve its maximum high-point. When the battery power is low, please recharge the battery.

Applicable Battery Type

Please use the designated battery only. Using other batteries may result in accidents or injury.

The procedure of charging:

Use only the charger and battery. The charger LED indicator light will indicate the charging process.

Warning:

For safety, the lithium battery is not charged before shipment.

1. When charging, it is recommended to turn off the radio.
2. Charge directly with USB plug.
3. While charging, the indicator light will turn red.
4. The battery will take approximately 4 to 5 hours to achieve a full charge. When the charging is completed, the indicator light will turn green.