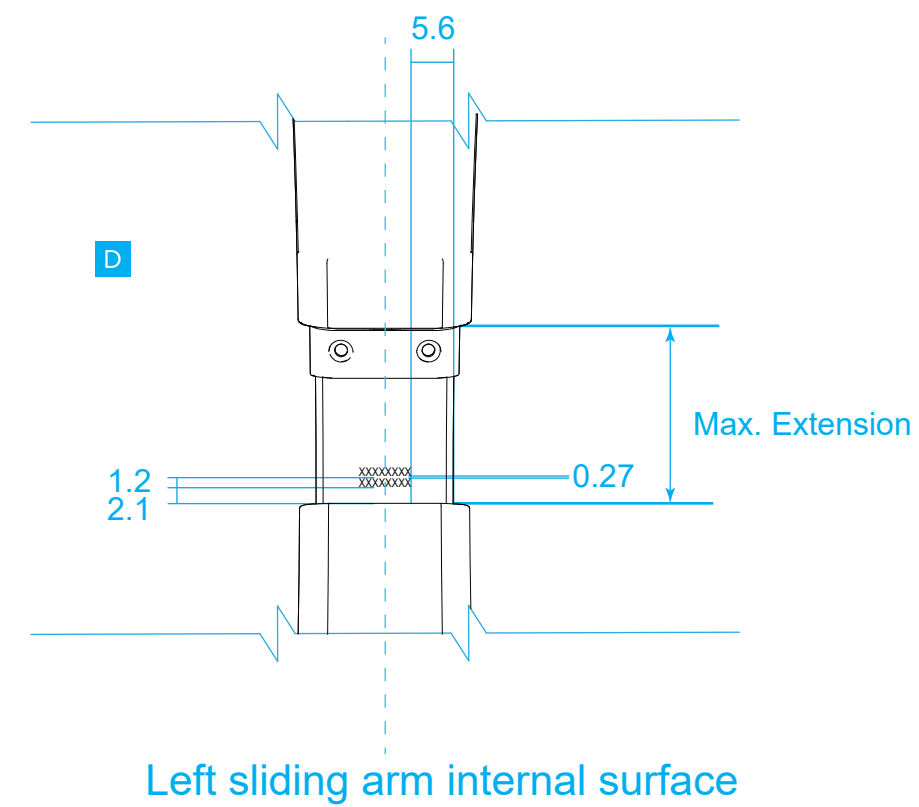
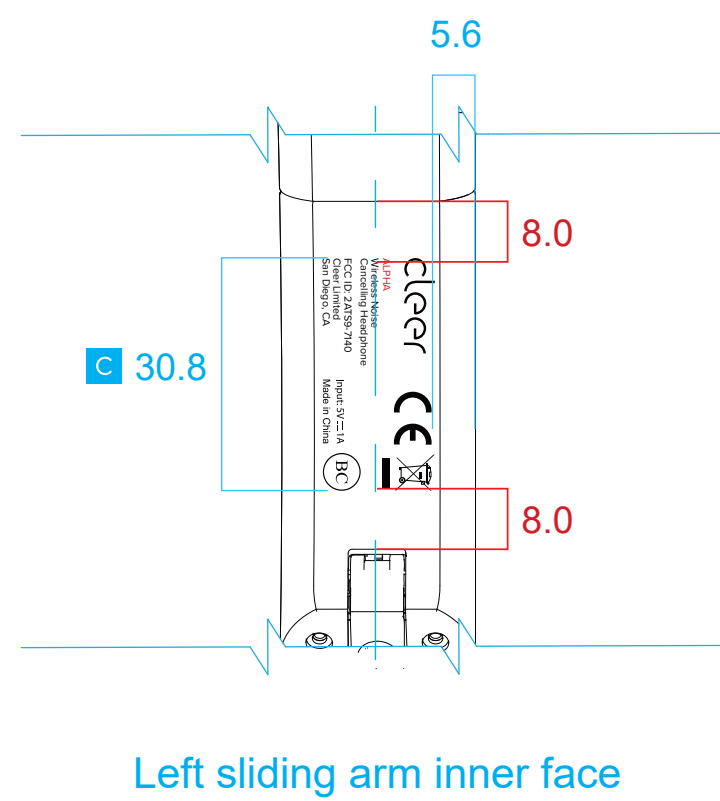
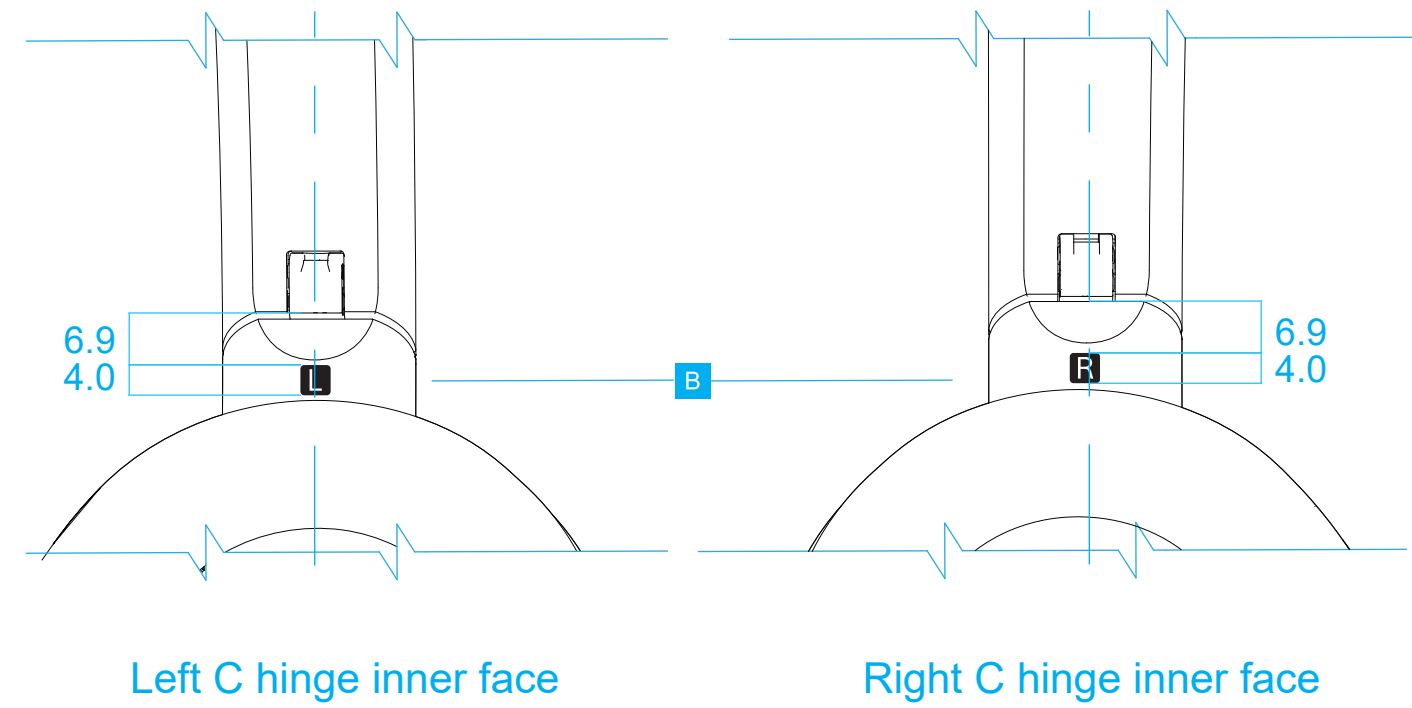
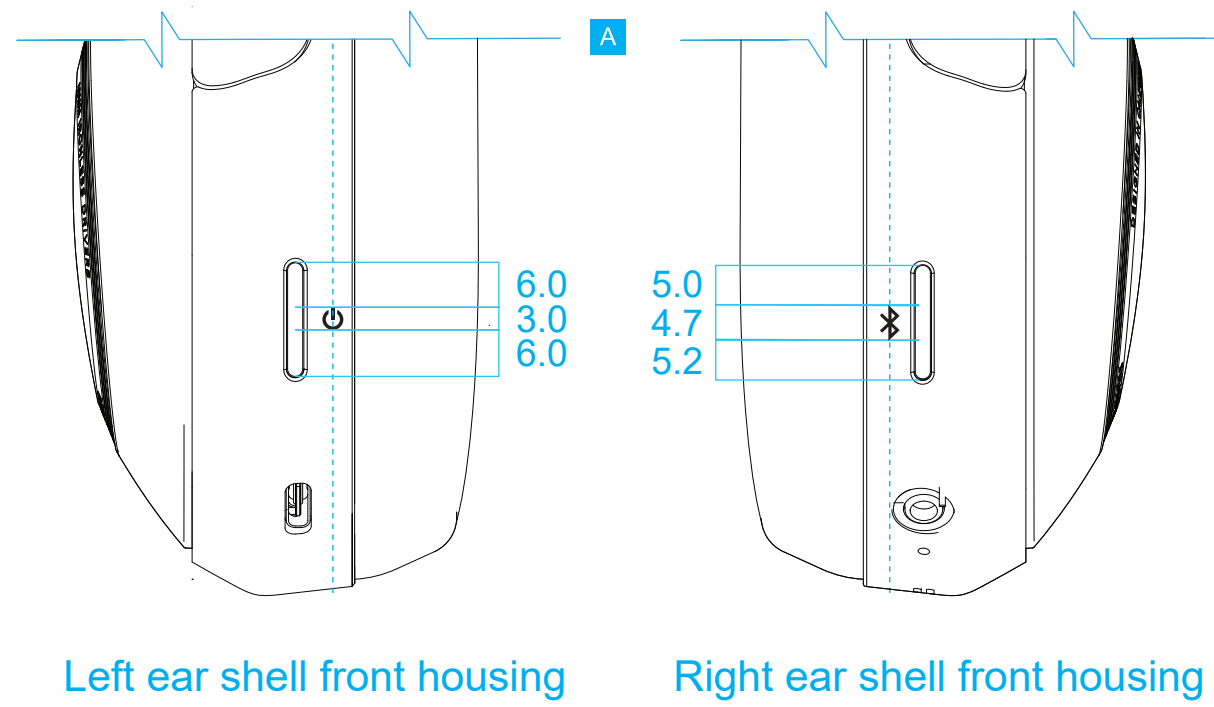
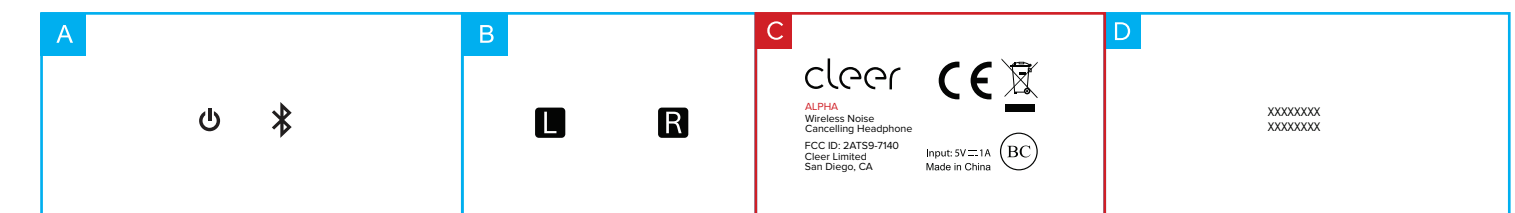


PART	COLOUR	TECHNIQUE	CHANGES / REMARKS	VER	
A	Button Graphic	Pantone 7530 C - matte	Screen printing	Colour updated in v2.0	2.0
B	L & R	Pantone 7530 C - matte	Screen printing	Colour updated in v2.0	2.0
C	Compliance info	Pantone 7529 C - semi gloss	Screen printing	Colour, content and position updated in v2.0	2.0
D	Serial number position	As per material	laser etching	Font Size: 4.5 pt, Arial	1.0



100% Graphics art



Version history				PRODUCT GRAPHICS DOCUMENT				Scale: 100%
Project: Cleer FLOW III - STONE				Designer: Kenneth Lam				Unit: mm
Version	Summary of updates	Approved for use by	Date	Version	Summary of updates	Approved for use by	Date	
1.0	First release to Grandsun	Kenneth Lam	15 MAR 2021					
2.0	Updated	Kenneth Lam	09 APR 2021					

Appendix: ISO - A series paper (mm)		Appendix: Types of drawing lines		Appendix: Tolerance (mm)	
A4 - 210 x 297	A1 - 594 x 841	Center line (center of an area)	Break line (break large parts)	Small parts, delta +/-0,15	
A3 - 297 x 420	A0 - 841 x 1189	Thick line (boundary of product)	Dashed line (indicates special requirement)	Medium parts, delta +/-0,25	
A2 - 420 x 594	2A0 - 1189 x 1682	Thin line (inner size & descriptive detail)	Dimension line (indicates size/ distance)	Large parts, delta variant	