

User Manual

BikeFinder Gen2 tracker





BikeFinder Gen2 tracker

User Manual

About

This manual describes the proper use of the BikeFinder Gen2 tracker and its accessories. Make sure to read this user manual before installation and activation of the tracker. Ensure that all warnings are read and understood before use.

Technical specifications

Product name: BikeFinder Gen2 tracker

Model: BFG2

Network frequency: LTE 700-950/1700-2210MHz,
WiFi/BLE 2.4GHz

Satellite system: GPS

Battery Rechargeable: Detachable 650 mAh Li-Ion battery



Compatibility

Handlebar inner diameter:

- ◆ 15.01-19.9 mm (mount without expansion mechanism adapter).
- ◆ 20.0-27.0 mm (mount with expansion mechanism adapter) .



Note: This device is only intended to be mounted in the handlebar of a bike.

The tracker requires a BikeFinder subscription to function.

Contact

Contact global customer service via the app or email us at support@bikefinder.com

Limitations and warranty

General Safety Precautions

- Do not bend the tracker module.
- Do not bend the battery module more than 45 degrees.
- Do not insert tools or pointy objects, other than those included, into other openings in the tracker than explicitly described here.
- Do not open or tamper with any internal components.
- Do not expose the tracker to water submersion or high-pressure water jets.
- Do not drop the tracker onto hard surfaces or expose it to high-energy impacts.
- Do not charge the tracker outside of the allowed charging temperature (below 0C or higher than 45C).
- Keep tracker and accessories away from high pressure places, potentially explosive atmospheres, and extreme temperature conditions (below -20C or higher than 45C).
- Keep away from medical electronic equipment.

For full terms and conditions:

www.bikefinder.com/terms

BikeFinder privacy policy:

www.bikefinder.com/privacy

More information and video instructions:

www.bikefinder.com/manual

Getting started information:



Installation Steps

1 Connect the battery module to the tracker module

Align the tracker and battery module as shown in the picture on the right. Push the two modules together until a click sound is heard. The battery module must be connected to the tracker module for the tracker to take charge and for the tracker to work.

Note: If you need to disassemble the battery module from tracker, use the tool (pincher) that comes with the product and follow the steps below:

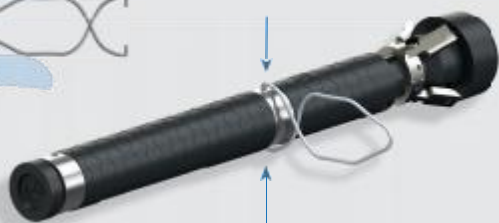
- Pinch the tool at area to open the tool tip as shown in picture a.
- Slide the tool over the two holes, then release the tool. The pinch should now sit on the tracker module as shown in picture b.
- Hold tracker in one hand and pinch the tool as shown in picture c, then pull out the battery module.



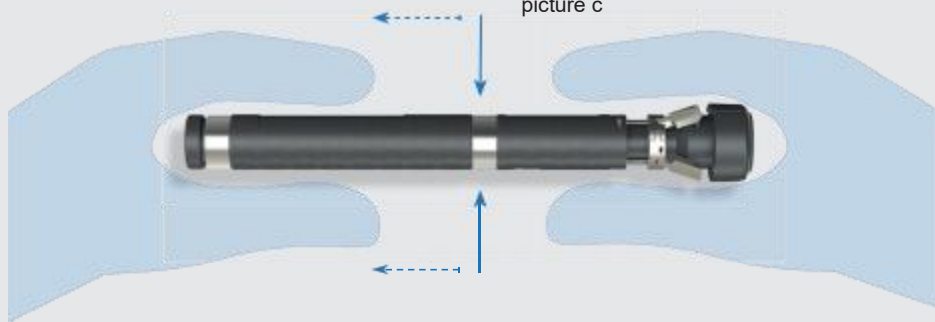
picture a



picture b



picture c



2 Charge the tracker

Connect charging cable to a power source with 5 V and minimum 0.5 A output.

Remove the front cover, then connect the charging cable to tracker, **the tactile marker on the charging cable head should point towards the BikeFinder logo on the tracker as shown in the picture.**

Tip: Charge the battery for a minimum of 2 hours regardless of battery level indication.

3 Buy a subscription

Go to www.bikefinder.com to buy your subscription. BikeFinder has different subscription offerings based on your country of residence. Some offerings include insurance in addition to tracking.

If purchasing an insurance subscription, please note that the insurance policy depends on your country of residence.

Note: Make sure you buy a subscription with the same e-mail address as you used when creating a login in the BikeFinder app. See step 4.

4 Download the app

You can download the BikeFinder app from App Store and Google Play.

After downloading the app, you must login with the same e-mail used when purchasing the subscription. The app will guide you through the necessary steps for activation of the tracker.

Charging socket



5 Activation of the tracker

To activate your BikeFinder tracker, you must do the following steps:

1. Make sure Bluetooth is activated on your phone.
2. Open the app.
3. Click the + sign in the top right corner of the app.
4. Select your tracker from the list of trackers nearby.

4.1 If the tracker does not show on the list, try to shake the tracker.

5. After the tracker is added, the app will automatically connect it to your purchased subscription.

When your tracker is successfully connected to a subscription, the credit card sign will turn green in your BikeFinder App.

Tip: If your BikeFinder tracker has an inactive subscription, check Buy a subscription Step 3.

6 Mount the tracker

Insert the tracker into the handlebar. If the handlebar diameter is bigger than 20 mm, then see page 12 (section **20 mm+ handlebar adapter set**) for fitting expansion adapter and spacer.

7 Lock the tracker in place

Fasten the screws using the BikeFinder tool. Tighten the two screws evenly until tracker is locked in place.

Note: The expansion mechanism can damage the interior of the handlebar if tighten to hard.

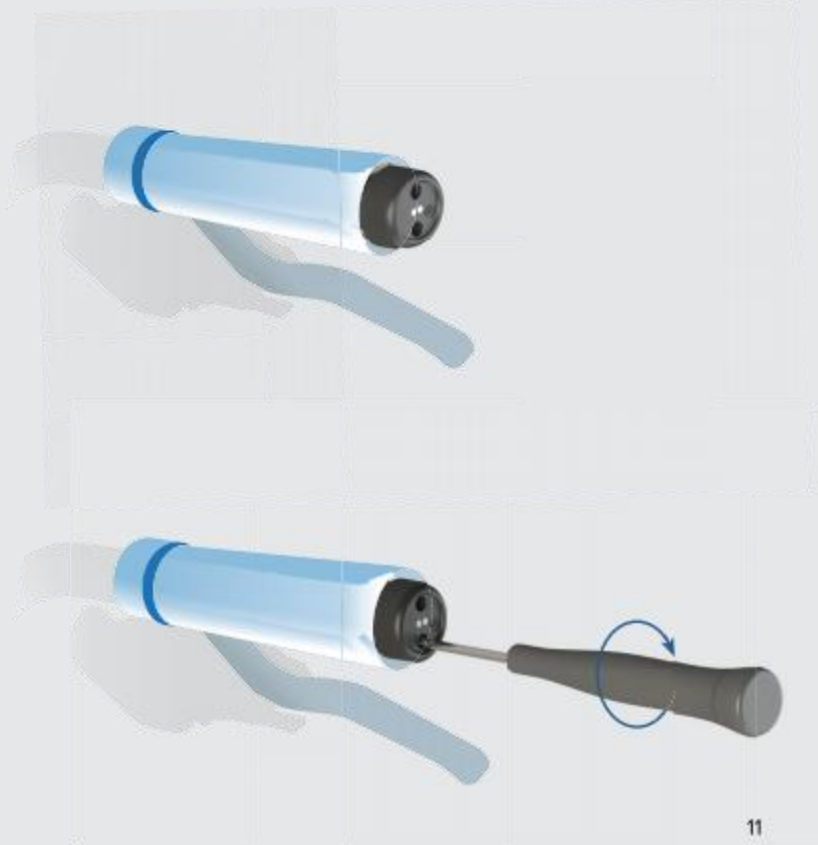
Tip: Inspect the fastening periodically and keep the tightening torque between 0.4-0.5 Nm to achieve optimal fastening result.



Inactive subscription



Active subscription



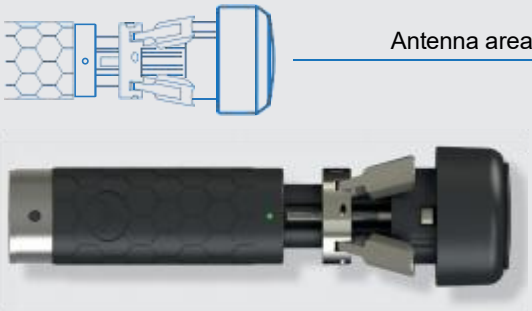
8 Plug in the front cover

Plug in the front cover during normal use. Your BikeFinder tracker is now installed and ready to use.

For troubleshooting and more information go to www.bikefinder.com/manual

Warning!

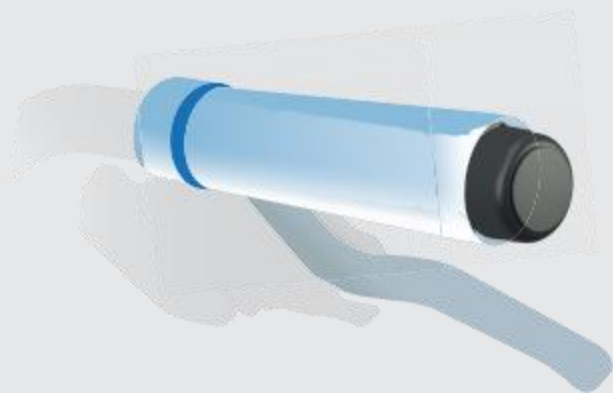
Do not cover this area with metal. Signal strength will be affected.



9 20 mm+ handlebar adapter set

Use the adapter set on the handlebars when inner diameter is larger than 20 mm.

1. Remove the two expansion screws using the screwdriver tool provided in the box.
2. Mount the two expansion adapters between the head of the tracker and the expansion mechanism as shown in the picture, reinstall the expansions screws. The screws should now pass through the designated holes in the expansion mechanism adapter before they are screwed into the expansion mechanism.
3. Slide the silicone spacer onto the battery module section.



Expansion mechanism adapter

Silicone spacer

FCC WARNING STATEMENT

Warning! Changes or modifications not expressly approved by the party responsible for compliance could void the user's authority to operate the equipment.

This device complies with Part 15 of the FCC Rules. Operation is subject to the following two conditions:

- (1) this device may not cause harmful interference, and
- (2) this device must accept any interference received, including interference that may cause undesired operation.

Note: This equipment has been tested and found to comply with the limits for a Class B digital device, pursuant to Part 15 of the FCC Rules. These limits are designed to provide reasonable protection against harmful interference in a residential installation. This equipment generates, uses, and can radiate radio frequency energy, and if not installed and used in accordance with the instructions, may cause harmful interference to radio communications. However, there is no guarantee that interference will not occur in a particular installation. If this equipment does cause harmful interference to radio or television reception, which can be determined by turning the equipment off and on, the user is encouraged to try to correct the interference by one or more of the following measures:

- Reorient or relocate the receiving antenna.
- Increase the separation between the equipment and the receiver.
- Connect the equipment into an outlet on a circuit different from that to which the receiver is connected.
- Consult the dealer or an experienced radio/TV technician for help.

This equipment complies with FCC radiation exposure limits set forth for an uncontrolled environment. End user must follow the specific operating instructions for satisfying RF exposure compliance.

This transmitter must not be co-located or operating in conjunction with any other antenna or transmitter.

The equipment is designed to meet the requirements for exposure to radio waves established by the Federal Communications Commission (USA). These requirements set a SAR limit of 4 W/kg averaged over 10 gram of tissue. The highest SAR value reported under the standard during product certification for use when properly worn on the hand is **NB:0.299W/kg CAT-M:0.108W/kg**.

CE WARNING STATEMENT

The device is designed to meet the requirements for exposure to radio waves established by the European Union. These requirements set a SAR limit of 4 W/kg averaged over ten gram of tissue when use in Limbs. This product was tested and recorded the maximum reported SAR value was CAT-M : 0.103W/kg,NB : 0.342W/kg for Limbs.

Use Member States

The radio equipment can be used in at least one of the member state. Hereby, BikeFinder AS declares that the radio equipment is in compliance with Directive 2014/53/EU.

Please contact Support@bikefinder.com to receive full text of the EU declaration of conformity.

- BikeFinder and the BikeFinder logo are trademarks of BikeFinder AS registered in Norway and other countries.
- Apple and the Apple logo are trademarks of Apple Inc. registered in the U.S. and other countries.
- App store is a service mark of Apple Inc. Registered in the U.S. and other countries.
- Google Play and the Google Play logo are trademarks of Google Inc.
- The Bluetooth word, mark and logos are registered trademarks owned by the Bluetooth SIG. Inc. and any use of such mark by BikeFinder AS is under license.

LTE CAT-M

Band 1 max Conducted Power:23.23dbm

Band 3max Conducted Power :23.32dbm

Band 8 max Conducted Power: 23.44dbm

Band 20 max Conducted Power: 23.33dbm

Band 28 max Conducted Power: 23.44dbm

LTE NB-IOT

Band 1 max Conducted Power:23.47dbm

Band 3max Conducted Power :23.49dbm

Band 8 max Conducted Power: 23.45dbm

Band 20 max Conducted Power: 23.45dbm

Band 28 max Conducted Power: 23.54dbm

WLAN2.4G max Conducted Power:9.73dbm

Bluetooth2.4G 1M max Conducted Power:4.28dbm

Hardware version:1.0 software version:1.2

Box Content

Tracker module
Battery module
Screwdriver tool
Pincher tool
Charging cable
Adapter set
User manual

Manufacturer

BikeFinder AS
Postbox 4004, 4092 Stavanger
Norway



RoHS



GPS
Wi-Fi

LTE NB-IoT
LTE Cat-M1
650 mAh



BFG2
2ATRU-BFG2



www.bikefinder.com/manual