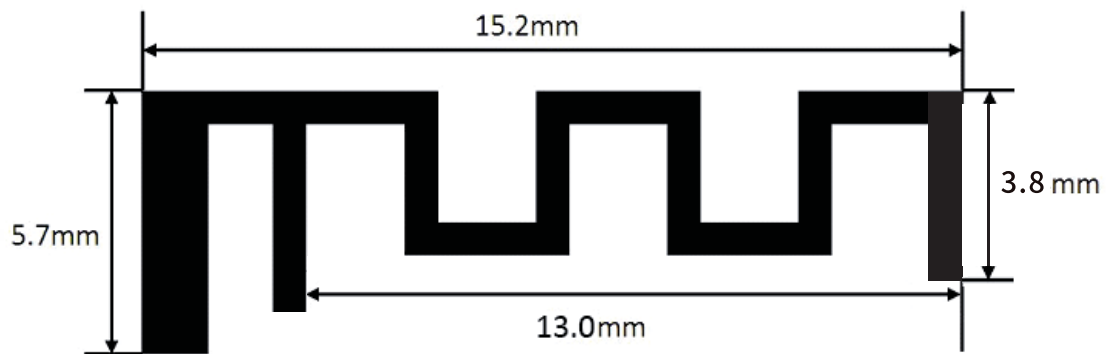


Inverted F Antenna Specification

Summary

ITEM	ANT SPEC					
Model Name	2.4G ANT					
Center Frequency	Horizontal			Vertical		
	2400MHz	2450MHz	2500MHz	2400MHz	2450MHz	2500MHz
	1.3	1.8	2	-3.83	-1.04	-0.44
MAX. Gain	2 dBi					
Polarization	Horizontal and Vertical					
Azimuth Beam Pattern	Omni-directional					
Impedance	50 Ohm					
Antenna Length	38.20mm					
Manufacture	ZHUHAI JIELI TECHNOLOGY CO.,LTD					

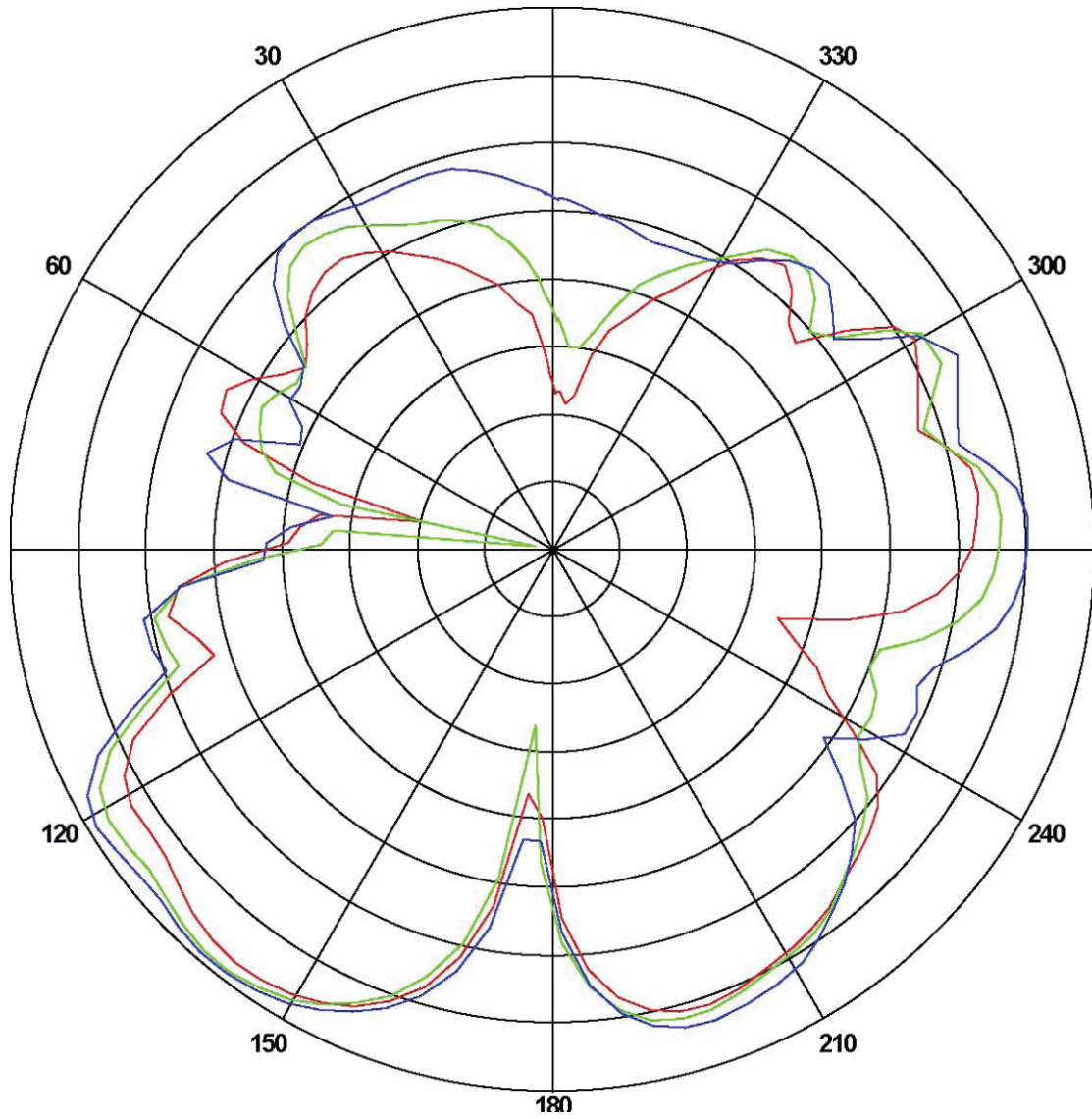
Antenna Photo & Length (mm)



Horizontal: 2400 MHz 2450 MHz 2500 MHz

Power (dBi)

Max: 2 Min: 36 Scale: 5/div

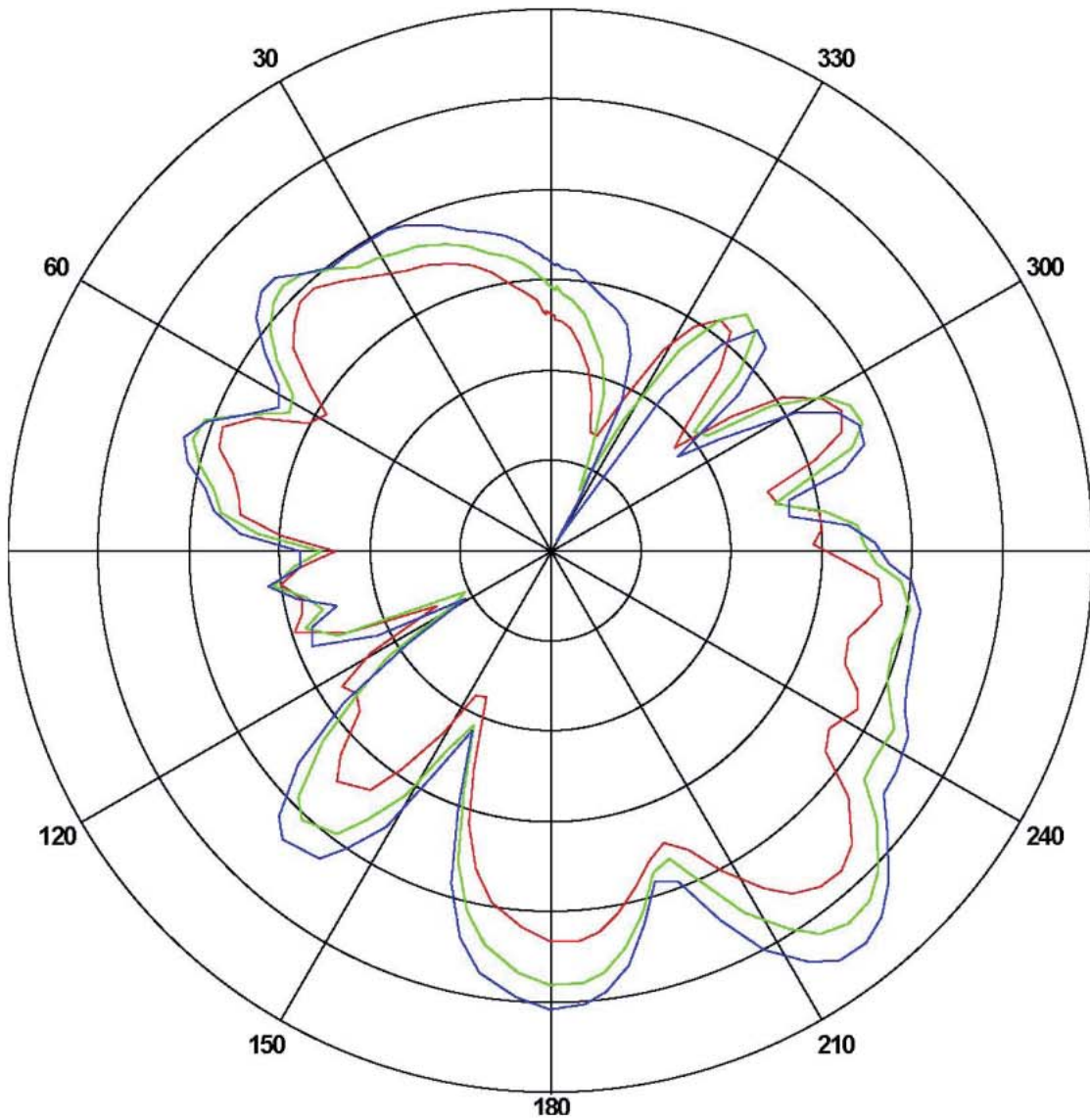


Frequency (MHz)	Gain(dB)		
	Max	Min	Avg
2400	1.3	-28.6601	-7.18716
2450	1.8	-35.1404	-7.48023
2500	2	-20.6115	-6.59127

Vertical 2400 MHz 2450 MHz 2500 MHz

Power (dBi)

Max: 0 Min: -29 Scale: 5/div



Frequency (MHz)	Gain(dB)		
	Max	Min	Avg
2400	-3.8337	-20.7224	-12.4294
2450	-1.0452	-23.1637	-10.4702
2500	-0.4412	-28.1014	-9.20432

ANT Test Labs: Attestation of Global Compliance Co., Ltd.