

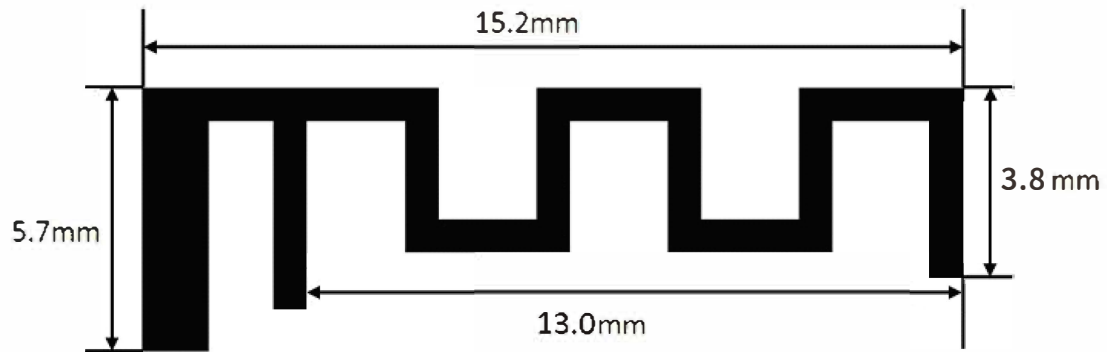
Inverted F Antenna Specification

Summary

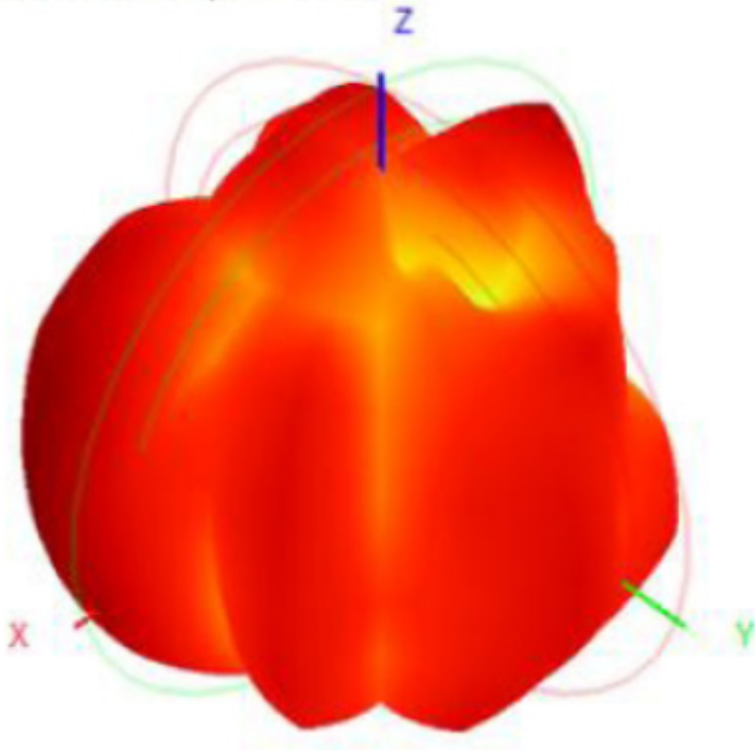
ITEM	ANT SPEC					
Model Name	2.4G ANT					
Center Frequency	Horizontal			Vertical		
	2400MHz	2450MHz	2500MHz	2400MHz	2450MHz	2500MHz
	1.3 dBi	1.8 dBi	2 dBi	-3.83 dBi	-1.04 dBi	-0.44 dBi
MAX. Gain	2 dBi					
Polarization	Horizontal and Vertical					
Azimuth Beam Pattern	O mni-directional					
Impedance	50 Ohm					
Antenna Length	15.2 mm					
Manufacture	ZHUHAI JIELI TECHNOLOGY CO.,LTD					

Address: 333 Kexing Road, Nanping Town, Zhuhai City, Shenzhen, China

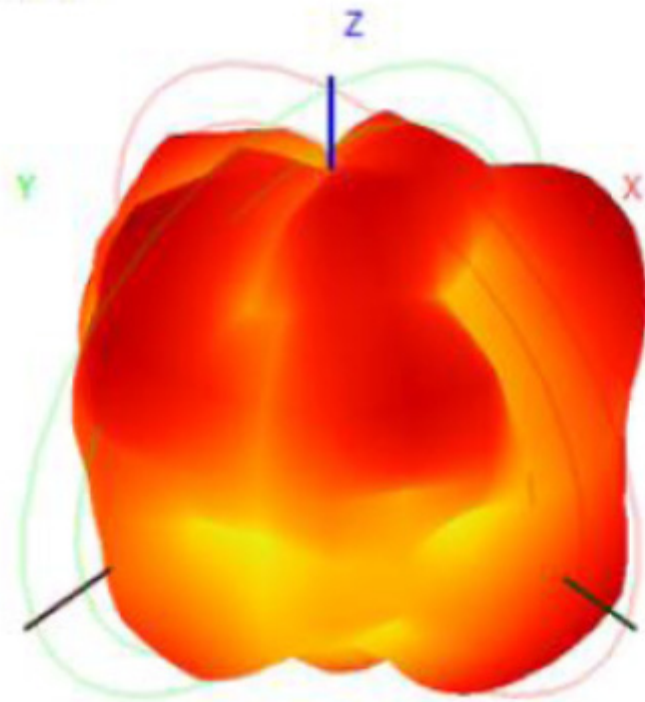
Antenna Photo & Length (mm)



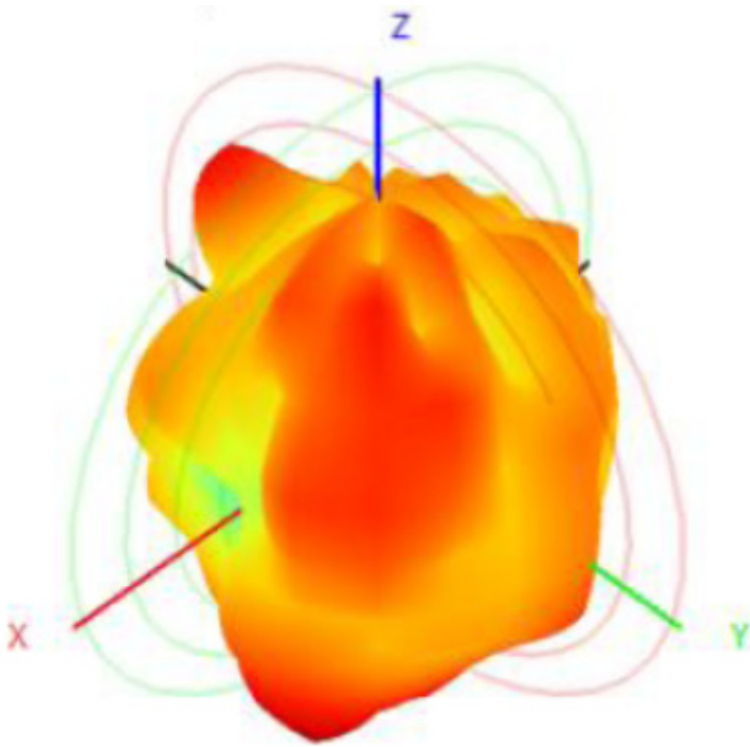
2450MHz
Horizontal
front



Back



Verical
front



Back

