


正面



sound play
WIRELESS HEADPHONES

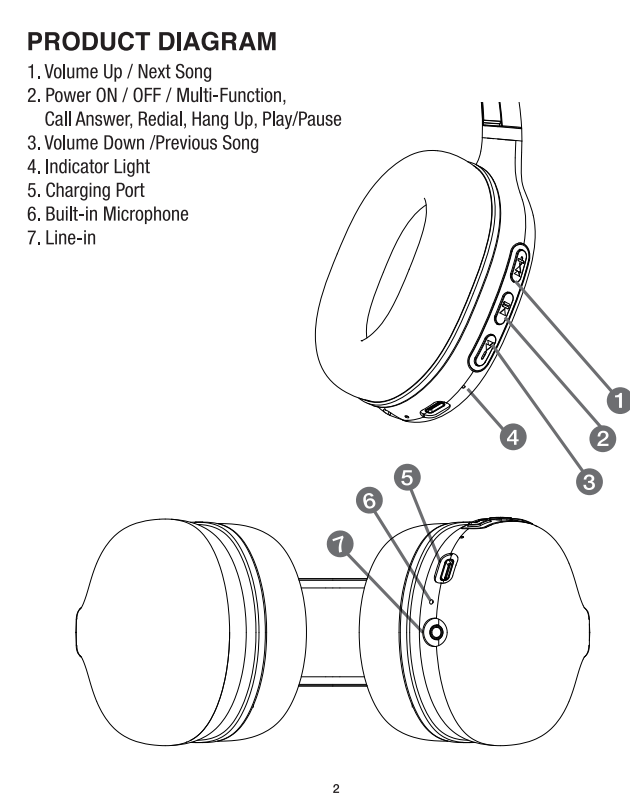
Bluetooth 5.0

HD
Voice Ready
Built-in
Microphone

User Guide

PRODUCT DIAGRAM

1. Volume Up / Next Song
2. Power ON / OFF / Multi-Function, Call Answer, Redial, Hang Up, Play/Pause
3. Volume Down / Previous Song
4. Indicator Light
5. Charging Port
6. Built-in Microphone
7. Line-in



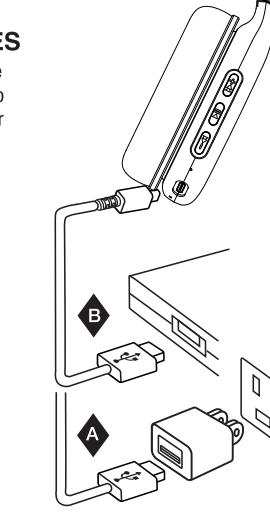
CHARGING THE HEADPHONES

These headphones have an internal rechargeable battery. The battery must be fully charged prior to use. Charging time is approximately 3 hours. Your headphones cannot be used while charging.

Red light ON - Charging
Blue light ON - Fully Charged

A Via AC Adapter Wall Charger
Using the provided Type-C cable, connect the headphones to a USB port AC adapter.

B Via Computer
Using the provided Type-C cable, connect the headphones to a USB power source.



反面

PAIRING TO BLUETOOTH DEVICE (CONTINUED):

1. Keep the distance between the smartphone and the headphones within 3'.
2. Press and hold the power button for two seconds and the headphones will turn on. You'll hear "Power ON" prompt and the blue light will turn on.
3. The device will automatically go into pairing mode, you'll hear "Pairing" prompt as the blue and red lights alternately flash.
4. Activate the Bluetooth function of the smart device and search for "SoundPlay Headphones".
5. On some devices you'll need to press "Yes" or "Enter" key to confirm the pairing.
6. After a successful connection, now you can use your headphones.

CONNECTING TO OTHER BLUETOOTH DEVICES

NOTE: Your headphones can only be connected to one Bluetooth device at a time.

1. In order to connect to the other Bluetooth device, you must first disconnect from the current Bluetooth connection.
2. Follow the above steps (under PAIRING TO BLUETOOTH DEVICE) to pair your headphones to another Bluetooth device.

HEADPHONES CONTROLS
Making and receiving calls

You can use your headphones in various ways for handling calls.

Answer a call _____ Press during an incoming call

End a call _____ Press during a call

Redial last number _____ Press twice

Reject a call _____ Press and hold

MUSIC CONTROLS

Play/Pause music _____ Press

Go to next song _____ Press and hold

Go to previous song _____ Press and hold

Power ON/OFF _____ Press and hold

CHANGING THE VOLUME

When needed, adjust the volume by pressing the keys (up) or (down) during a call or when listening to music.

LINE-IN USE

You have an option to use these headphones via line-in. Make sure your headphones are fully charged before line-in use.

1. Turn ON the headphones by pressing and holding the Play/Pause button .
2. Use the standard 3.5mm auxiliary cord to connect the headphones to your device.

FAQ's

Q: Why can't I turn the headset on?
A: Make sure your device is fully charged before using it for the first time. Your device can not be turned on if battery level is very low. Refer to charging the headphones section of the User Guide.

Q: There is no sound during playback.
A: Check the connection between your device and the phone or computer. If the connection is not established, please reconnect again and adjust the volume to a suitable level.

SPECIFICATIONS

Bluetooth Version	V5.0
Battery	Rechargeable lithium battery 300mAh
Frequency	20Hz-20KHz
Standby Time	Up to 60 hours
Charging Time	3 hours
Play Time	Up to 20 hours
Talk Time	Up to 20 hours
Input	5V/0.2A
Size	7.2 x 7.7 x 3.2 in

IMPORTANT SAFEGUARDS

- Do not listen on a high volume for long periods of time.
- Do not use these headphones for anything other than their intended use.
- Keep the headphones away from heat source, direct sunlight, humidity, water, or any other liquid.
- Do not operate the headphones if they have been exposed to water or moisture to prevent against electric shock or injury to yourself and the headphones.
- Do not use the headphones if they appear to be damaged in anyway.
- Repairs to electrical equipment should only be performed by a qualified electrician. Improper repair may place the user at serious risk.
- Keep the headphones out of reach of children.
- These headphones are not a toy.

成品尺寸：93*109mm
材质：128g双铜正反面印刷

This device complies with Part 15 of the FCC Rules. Operation is subject to the following two conditions: (1) this device may not cause harmful interference, and (2) this device must accept any interference received, including interference that may cause undesired operation.

Changes or modifications to this unit not expressly approved by the party responsible for compliance could void the user's authority to operate the equipment.

NOTE: This equipment has been tested and found to comply with the limits for a Class B digital device, pursuant to Part 15 of the FCC Rules. These limits are designed to provide reasonable protection against harmful interference in a residential installation. This equipment generates uses and can radiate radio frequency energy and, if not installed and used in accordance with the instructions, may cause harmful interference to radio communications. However, there is no guarantee that interference will not occur in a particular installation. If this equipment does cause harmful interference to radio or television reception, which can be determined by turning the equipment off and on, the user is encouraged to try to correct the interference by one or more of the following measures:

- Reorient or relocate the receiving antenna.
- Increase the separation between the equipment and receiver.
- Connect the equipment into an outlet on a circuit different from that to which the receiver is connected.
- Consult the dealer or an experienced radio/TV technician for help.

This device and its antenna(s) must not be co-located or operation in conjunction with any other antenna or transmitter.

Radiation Exposure Statement

The device has been evaluated to meet general RF exposure requirement in portable exposure condition without restriction.