

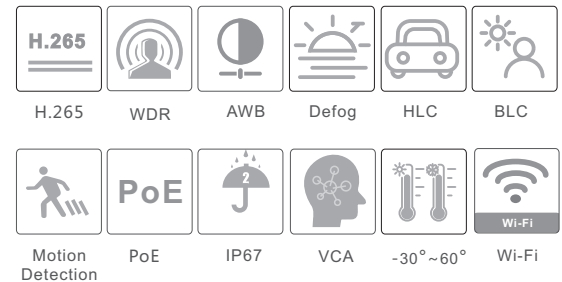
IP CAMERA

TD-9441S3

4MP IR Water-proof Bullet
Network Camera



- H.265/H.264 coding
- Max.resolution: 4MP (2560 × 1440)
- ICR auto switch, true day / night vision
- 3D DNR, digital WDR, HLC, BLC, defog
- ROI coding
- 20~30m IR night view distance
- Built-in micro SD card slot, up to 256GB
- DC12V/PoE power supply
- P2P function optional
- Support Wi-Fi
- IP 67 ingress protection
- Support three streams
- Support remote monitoring by smart phones& tablet PCs with iOS and Android OS
- Intelligent analytics: object removal detection, video exception detection, line crossing and intrusion detection



FCC ID:



en.tvt.net.cn

For more information, please visit our website

Shenzhen TVT DIGITAL TECHNOLOGY CO., LTD.

Address: 23rd Floor, Block B4, Building NO.9, Shenzhen Bay
Eco-Technology Park, Nanshan District, Shenzhen, Guangdong
Province, P.R.China

Tel: +86-755-36995888

Web site: <http://en.tvt.net.cn>

Fax: +86-755-33104777

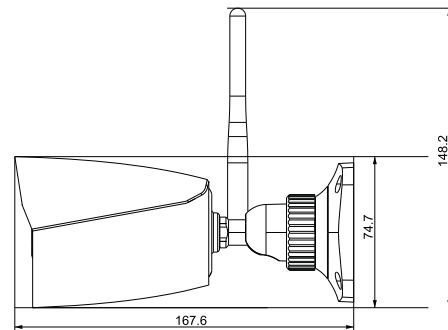
E-mail: overseas@tvt.net.cn

SPECIFICATIONS

Model	TD-9441S3
Specifications	
Camera	
Image Sensor	1 / 2.7 "CMOS
Image Size	2560×1440
Electronic Shutter	1 / 25 s ~ 1 / 100000 s
Iris Type	Fixed Iris
Min. Illumination	0.011 lux @F1.2, AGC ON; 0 lux with IR 0.04 lux @ F2.2, AGC ON; 0 lux with IR
Lens	2.8mm@F2.0, Horizontal FoV: 110°; Vertical FoV: 77.6°; Diagonal FoV: 117° 3.6mm@F2.2, Horizontal FoV: 89°; Vertical FoV: 58°; Diagonal FoV: 97°
Focus	Fixed
Lens Mount	M12
Day&Night	ICR
Wide Dynamic Range	Digital WDR
BLC	Yes
HLC	Yes
Defog	Yes
Digital NR	3D DNR
Angle Adjustment	Pan: 0°~360°; Tilt: 0°~80°; Rotation: 0°~360°
Image	
Video Compression	H.265 / H.264
H.265 Compression Standard	Main Profile@Leve4.1 High Tier
Resolution	4MP (2560 × 1440), 3MP (2304 × 1296), 1080P (1920 × 1080), 720P (1280 × 720), D1, CIF, 480 × 240
Main Stream	60Hz : 4MP/3MP/1080P(1~30fps); 50Hz : 4MP/3MP/1080P(1~25fps)
Sub Stream	60Hz : 720P(1~15fps)/D1(1~30fps)/CIF (1~30fps); 50Hz: 720P(1~12fps)/D1(1~25fps)/CIF (1~25fps);
Third Stream	60Hz : D1/CIF/480x240 (1~30fps); 50Hz: D1/CIF/480x240 (1~25fps)
Bit Rate	64 Kbps ~ 5 Mbps
Bit Rate Type	VBR / CBR
Image Settings	ROI, Saturation, Brightness, Chroma, Contrast, Wide Dynamic, Sharpen, NR, etc. adjustable through client software or web browser
ROI	Each ROI to be configured separately
Interfaces	
Network	RJ45
Storage	Built-in micro SD card slot, up to 256GB
Reset	Yes
Functions	
Remote Monitoring	Web browsing, CMS remote control
Online Connection	Support simultaneous monitoring for up to 4 users; Support multi-stream real time transmission
Network Protocol	UDP, IPv4, IPv6, DHCP, NTP, RTSP, RTP, RTCP, ICMP, IGMP, PPPoE, DDNS, SMTp, FTP, 802.1x, UPnP, HTTP, HTTPs, QoS
Interface Protocol	ONVIF
Storage	Network remote storage; micro SD card storage
Smart Alarm	Motion detection, SD card full, SD card error
Smart Events	Object removal (object left/missing detection), scene change and video blur detection, intrusion and line crossing
General Function	Watermark, IP address filtering, video mask, heartbeat, password protection
PoE	Yes
IR Distance	20 ~ 30 m
Ingress Protection	IP67
Wi-Fi	
Wireless Standards	IEEE802.11b/g/n
Frequency Range	2.4GHz ~ 2.4835 GHz
Channel Bandwidth	20MHz
Security	WEP, WPA-PSK/WPA2-PSK
Wireless Range	80m

Transfer Rates	11b: 11Mbps 11g: 54Mbps 11n: up to 150Mbps
Others	
Power Supply	DC12V/PoE
Power Consumption	< 5W
Operating Environment	- 30 °C ~ 60 °C (-22°F~140°F) Humidity: less than 95 % (non-condensing)
Dimensions (mm)	167.6 × 74.7 × 148.2
Weight (net)	Approx. 0.465KG
Installation	Ceiling mounting; Wall mounting

DIMENSIONS



AVAILABLE ACCESSORIES



AVAILABLE MODEL

Available Model	TD-9441S3(D/PE/WF/AR2)
-----------------	------------------------

FCC Warning:

This equipment has been tested and found to comply with the limits for a Class B digital device, pursuant to part 15 of the FCC Rules. These limits are designed to provide reasonable protection against harmful interference in a residential installation. This equipment generates, uses and can radiate radio frequency energy and, if not installed and used in accordance with the instructions, may cause harmful interference to radio communications. However, there is no guarantee that interference will not occur in a particular installation. If this equipment does cause harmful interference to radio or television reception, which can be determined by turning the equipment off and on, the user is encouraged to try to correct the interference by one or more of the following measures:

- Reorient or relocate the receiving antenna.
- Increase the separation between the equipment and receiver.
- Connect the equipment into an outlet on a circuit different from that to which the receiver is connected. • Consult the dealer or an experienced radio/TV technician for help.

Caution: Any changes or modifications to this device not explicitly approved by manufacturer could void your authority to operate this equipment.

This device complies with part 15 of the FCC Rules. Operation is subject to the following two conditions:

(1) This device may not cause harmful interference, and (2) this device must accept any interference received, including interference that may cause undesired operation.

This equipment complies with FCC radiation exposure limits set forth for an uncontrolled environment. This equipment should be installed and operated with minimum distance 20cm between the radiator and your body.