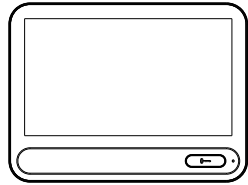
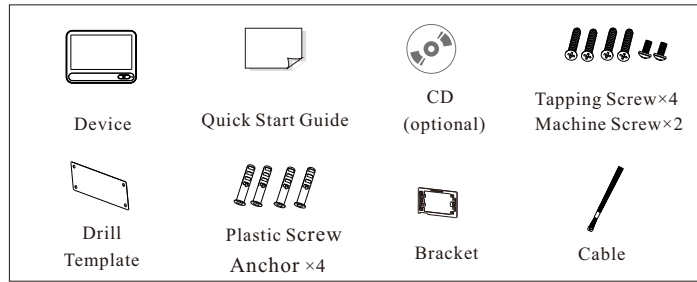


Video Intercom Indoor Station

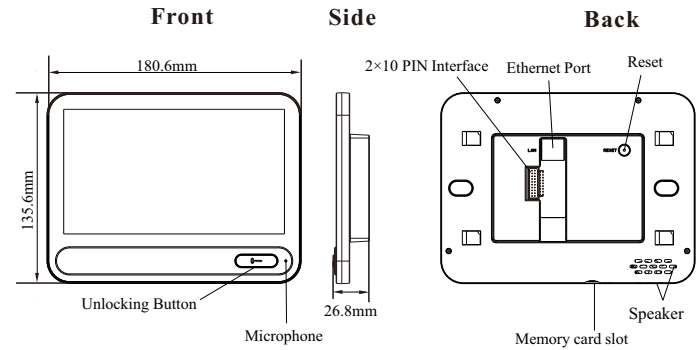
Quick Start Guide



1 Package



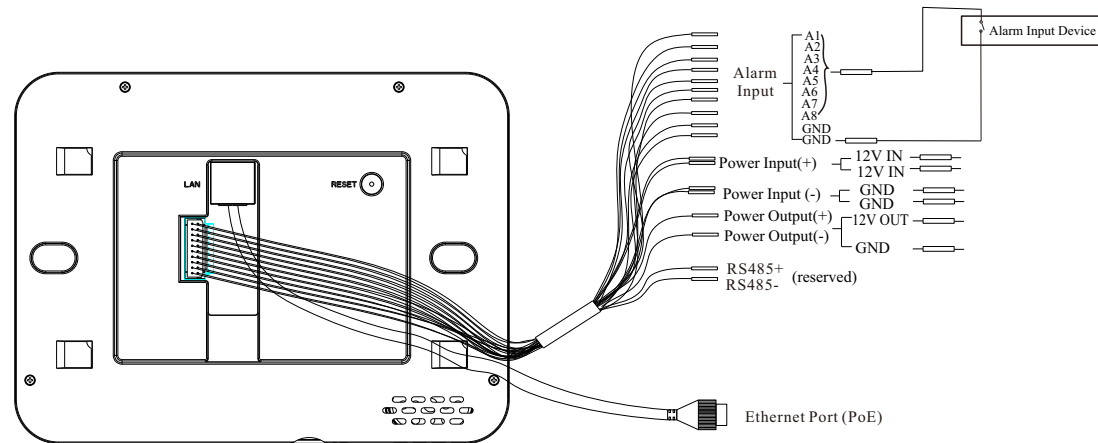
2 Overview



3 Cable Connection

Alarm Input								GND	
1	2	3	4	5	6	7	8	9	10
A1	A2	A3	A4	A5	A6	A7	A8	GND	GND
11	12	13	14	15	16	17	18	19	20
12V IN		GND		12V OUT				RS 485+	RS 485-
+		-		+		-		RS 485	

2x
10-pin Interface



About This Manual

All pictures, images, icons and snapshots in this manual are for reference only. If there is inconsistency between the manual and the actual product, the actual product shall prevail. The manual will be updated according to the product improvement and are subject to change without prior written notice.

Legal Disclaimer

To the maximum extent permitted by applicable law, the product described, with its hardware, software, software and firmware, is provided "as is", with all faults and errors, and our company makes no warranties, express or implied, including particular purpose, and non-infringement of third party. In no event will our company, offices, or agents be liable to you for any special, consequential, incidental, or indirect damages, including, among others, damages for loss of business profits, business interruption, or loss of data or documentation, in connection with the use of this product, even if our company has been advised of the possibility of such damages. With regard to the product with internet access, the use of product shall be wholly at your own risks. Our company shall be irresponsible for abnormal operation, privacy leakage or other damages resulting from cyber attack, hacker attack, virus inspection, or other internet security risks; however, our company will provide timely technical support if necessary. During the use of the device, please strictly abide by applicable law. In the event of any conflicts between this manual and the applicable law, the later prevails.

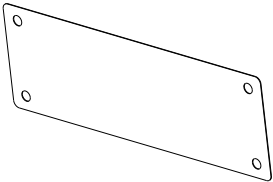
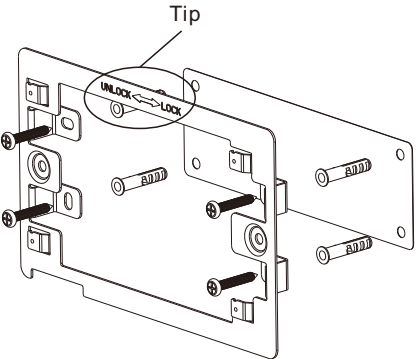
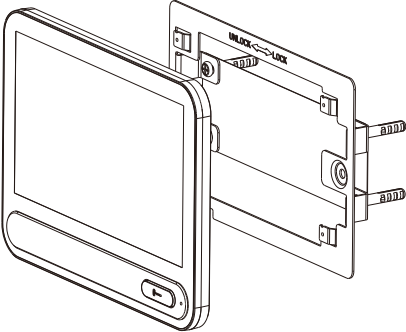
Installation and Use

- Please use our product according to the following safety instructions and warnings.
- Do not place the camera in extremely hot, cold, dusty or damp location.
- Do not expose it to high electromagnetic radiation.
- If the product does not work properly, please contact your dealer or the nearest service center.
- Never attempt to disassemble the camera yourself. (We shall not be responsible for any problems caused by unauthorized repair or maintenance.)
- Do not drop the camera or subject it to physical shock.
- Keep away from liquid while in use.
- Do not touch the screen with sharp objects.
- If cleaning is necessary, please use clean cloth to wipe it gently, avoiding water or alcohol.

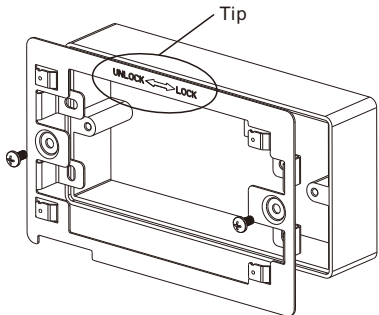
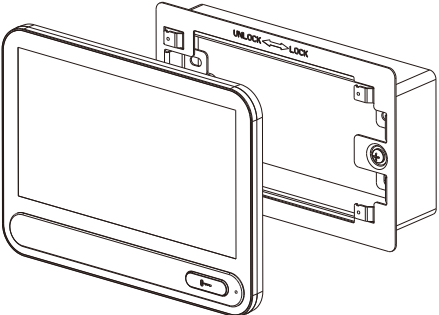
Note:

*Only when 12VDC power supply is used to power the indoor station, can the power output be available. The power output will not take effect when PoE power supply is used.

Wall Mounting without Junction Box

<p>1</p>  <p>Place the drill template onto the wall and then drill the holes according to it.</p>	<p>2</p>  <p>Insert the screw anchors into the screw holes and then install the bracket onto the wall with four tapping screws.</p> <p>Note: The tip of the bracket must be on the top when installing.</p>	<p>3</p>  <p>Hook the device to the bracket from left to right.</p>
---	--	---

Wall Mounting with Junction Box

<p>1</p>  <p>Install the bracket onto the junction box with two machine screws.</p> <p>Note: The tip of the bracket must be on the top when installing.</p>	<p>2</p>  <p>Hook the device to the bracket from the left to right.</p> <p>Note: Push the device from right to left to remove</p>
---	--

```

*****
*   Default Password:   *
*   Configuration PWD: 123456   *
*   Arming/disarming PWD: 123456 *
*   Unlocking PWD: Null   *
*****
    
```

FCC Warning:

This equipment has been tested and found to comply with the limits for a Class B digital device, pursuant to part 15 of the FCC Rules. These limits are designed to provide reasonable protection against harmful interference in a residential installation. This equipment generates, uses and can radiate radio frequency energy and, if not installed and used in accordance with the instructions, may cause harmful interference to radio communications. However, there is no guarantee that interference will not occur in a particular installation. If this equipment does cause harmful interference to radio or television reception, which can be determined by turning the equipment off and on, the user is encouraged to try to correct the interference by one or more of the following measures:

- Reorient or relocate the receiving antenna.
- Increase the separation between the equipment and receiver.
- Connect the equipment into an outlet on a circuit different from that to which the receiver is connected.
- Consult the dealer or an experienced radio/TV technician for help.

Caution: Any changes or modifications to this device not explicitly approved by manufacturer could void your authority to operate this equipment.

This device complies with part 15 of the FCC Rules. Operation is subject to the following two conditions:

(1) This device may not cause harmful interference, and (2) this device must accept any interference received, including interference that may cause undesired operation.

This equipment complies with FCC radiation exposure limits set forth for an uncontrolled environment. This equipment should be installed and operated with minimum distance 20cm between the radiator and your body.