

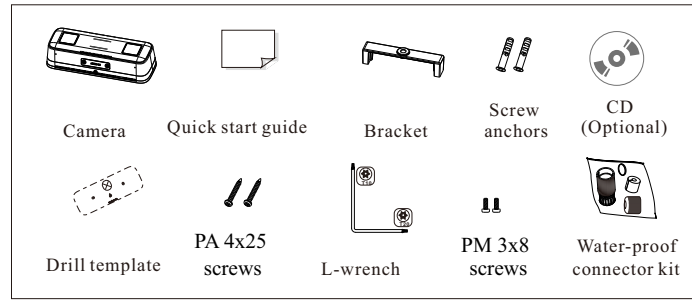
# Network Camera Quick Start Guide

- Please read this instruction carefully before operating the unit and keep it for further reference.
- All the examples and pictures used here are for reference only.
- The contents of this manual are subject to change without notice.

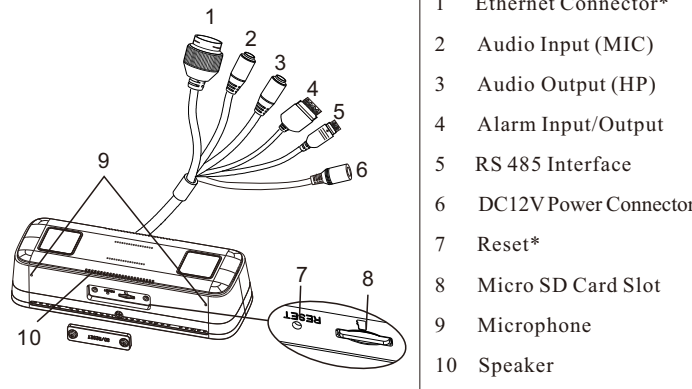
## 1 Warning and Caution

- Please read this instruction carefully before operating the unit and keep it for further reference.
- All the examples and pictures used here are for reference only.
- The contents of this manual are subject to change without notice.
- If the product does not work properly, please contact your dealer or the nearest service center. Never attempt to disassemble the camera yourself. (We shall not be responsible for any problems caused by unauthorized repair or maintenance.)
- Do not allow water or liquid intrusion into the camera.
- In the use of the product, you must be strict compliance with the electrical safety regulations of the nation and region. When the product is mounted on wall or ceiling, the device shall be firmly fixed.
- Do not use camera beyond specified voltage range.
- The product must be grounded to reduce the risk of electric shock.
- Do not drop the camera or subject it to physical shock.
- You must wear anti-static gloves or discharge static electricity before installing the camera.
- Avoid touching the camera lens.
- If cleaning is necessary, please use clean cloth to wipe it gently.
- Avoid aiming the camera directly towards the sun or other bright objects.
- Do not place the camera in extremely hot, cold, dusty or damp locations, and do not expose it to high electromagnetic radiation.
- To avoid heat accumulation, good ventilation is required for operating environment.

## 2 Package



## 3 Overview

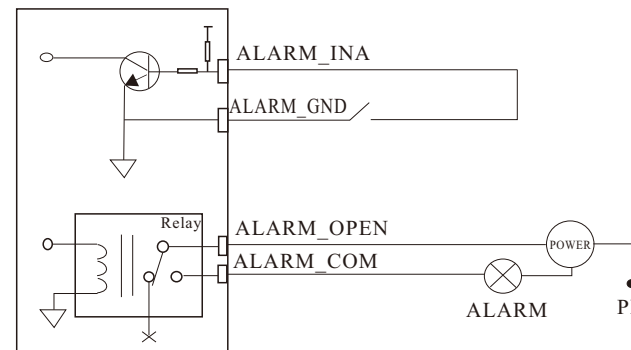


\* 1 It is recommended to install the water-proof connector for outdoor installation.

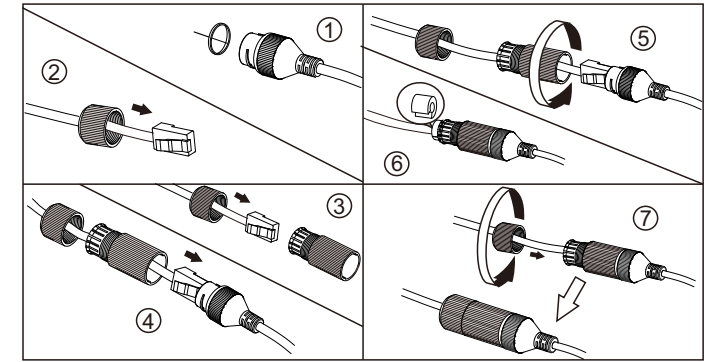
\* 2 Press and hold the reset button for more than 10 seconds to restore to the factory default setting.

### ▶ Connecting Alarm Input/Output

Max. load of the alarm output: 30VDC, 1A



### • Connecting Network Cable

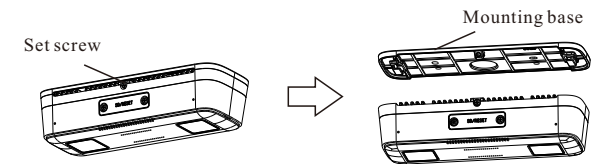


\* If the RJ 45 connector of the network cable has a jacket and cannot be threaded through the kit, remove the jacket. If the jacket cannot be removed, cut off the connector and install an RJ 45 connector without the jacket.

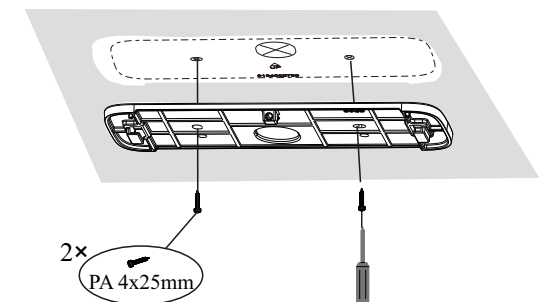
## 4 Installation

Please make sure that the wall or ceiling is strong enough to withstand 3 times the weight of the camera. Please install and use the camera in a dry environment.

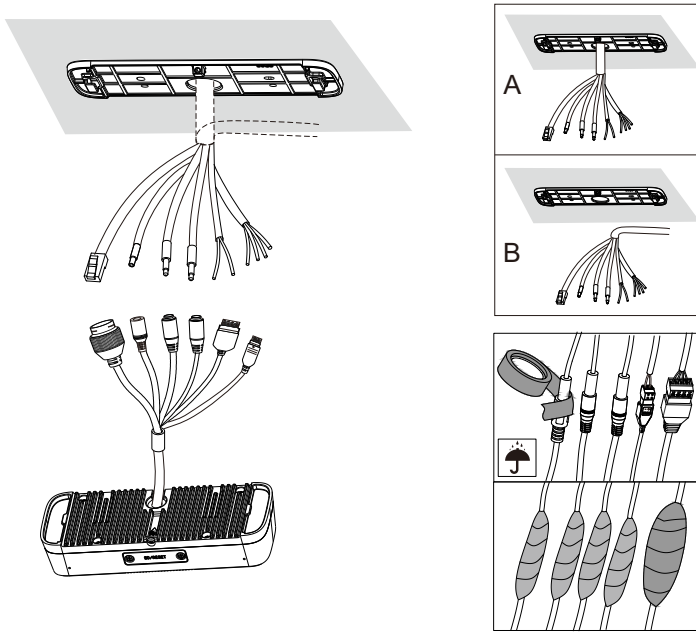
1. Loosen the set screw and then remove the mounting base from the camera.



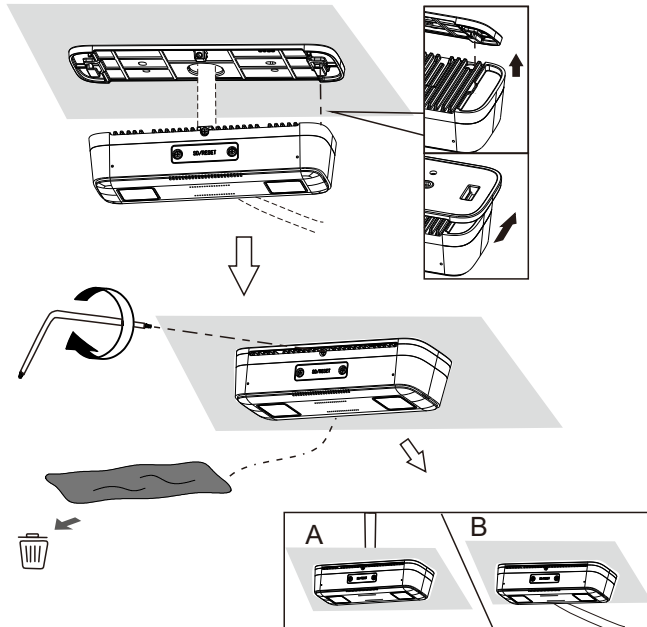
2. Drill the screw holes and the cable hole on the ceiling according to the drill template. Then install the mounting base to the ceiling with the screws provided.



3. Route the cables and connect the relevant cables.

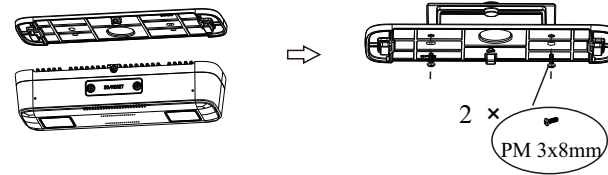


4. Hang the camera on the mounting base and secure it firmly with the set screw. Finally, remove the protection film softly.

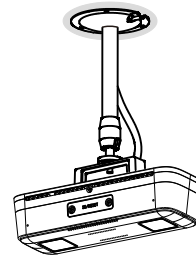


### ● Ceiling Mounting

1. Loosen the set screw and then remove the mounting base from the camera.
2. Secure the bracket onto the mounting base with two screws.



3. Install the camera to the mounting base and secure it firmly with the set screw.
4. Install the ceiling mount onto the ceiling and then screw the the bracket of the camera to the ceiling mount.

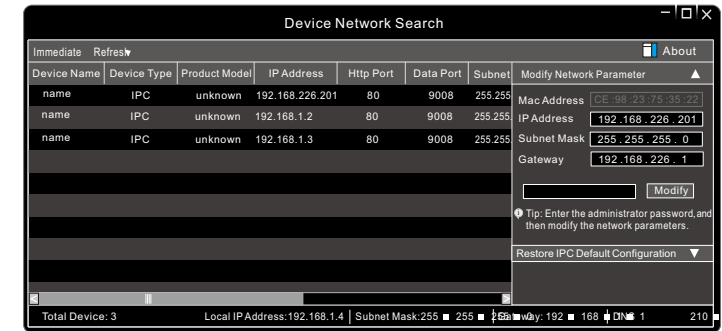


## 5 Web Operation and Login

Here we take accessing IP camera via LAN for example.

### ● Access Through IP-Tool

- ① Make sure that the device and the PC are connected to the local network.
- ② Get IP-Tool from the supplier and run it after installation.



③ Double-click the camera listed in the IP-Tool or manually enter the IP address in the address bar of the web browser to connect IP camera. The default IP address of this camera is **192.168.226.201**.

**Note:** Please make sure the camera and the computer are in the same local network.

④ Read the privacy statement and then activate the device. The default username is **admin**. You need to self-define the password. Then set the security questions and answers. It is important for you to remember these answers, or you will not be able to reset your password.

⑤ Follow directions to download and install the plugin if prompted.

Available Web Browser: IE(plug-in required) /Google Chrome/ Firefox/Safari/Edge

It is recommended to use the latest version of the above browsers.

FCC Warning:

This equipment has been tested and found to comply with the limits for a Class B digital device, pursuant to part 15 of the FCC Rules. These limits are designed to provide reasonable protection against harmful interference in a residential installation. This equipment generates, uses and can radiate radio frequency energy and, if not installed and used in accordance with the instructions, may cause harmful interference to radio communications. However, there is no guarantee that interference will not occur in a particular installation. If this equipment does cause harmful interference to radio or television reception, which can be determined by turning the equipment off and on, the user is encouraged to try to correct the interference by one or more of the following measures:

- Reorient or relocate the receiving antenna.
- Increase the separation between the equipment and receiver.
- Connect the equipment into an outlet on a circuit different from that to which the receiver is connected.
- Consult the dealer or an experienced radio/TV technician for help.

Caution: Any changes or modifications to this device not explicitly approved by manufacturer could void your authority to operate this equipment.

This device complies with part 15 of the FCC Rules. Operation is subject to the following two conditions:

(1) This device may not cause harmful interference, and (2) this device must accept any interference received, including interference that may cause undesired operation.

This equipment complies with FCC radiation exposure limits set forth for an uncontrolled environment. This equipment should be installed and operated with minimum distance 20cm between the radiator and your body.