

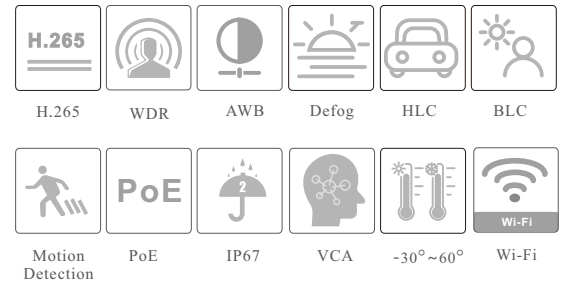
CAMERA

TD-9441S4

4MP IR Water-proof Bullet Network Camera



- H.265 /H.264/MJPEG coding
- Max.resolution: 4MP (2560 × 1440)
- ICR auto switch, true day / night vision
- 3D DNR, WDR, HLC, BLC, smart IR, etc.
- ROI coding
- 20~30m IR night view distance
- Built-in micro SD card slot, up to 256GB
- IP 67 ingress protection
- Support Wi-Fi
- Support three streams
- Support remote monitoring by smart phones& tablet PCs with
- iOS and Android OS
- Intelligent analytics



en.tvt.net.cn

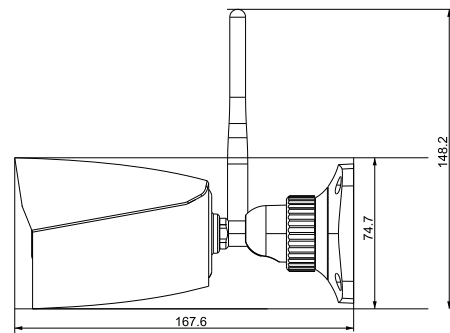
For more information, please visit our website

SPECIFICATIONS

Specifications	Model	TD-9441S4		
Camera				
Image Sensor		1 / 3" CMOS		
Image Size		2560×1440		
Electronic Shutter		1 / 1s ~ 1 / 100000s		
Iris Type		Fixed Iris		
Min. Illumination		0.005 lux @F1.6, AGC ON; 0 lux with IR		
Lens		2.8mm@F1.6, Horizontal FoV: 94°; Vertical FoV: 50°; Diagonal FoV: 115° 3.6mm@F1.6, Horizontal FoV: 78°; Vertical FoV: 40°; Diagonal FoV: 97°		
Focus		Fixed		
Lens Mount		M12		
Day&Night		ICR		
Wide Dynamic Range		120dB		
BLC		Yes		
HLC		Yes		
Digital NR		Yes		
S/N ratio		≥50dB		
Angle Adjustment		Pan: 0°~360°; Tilt: 0°~80°; Rotation: 0°~360°		
Image				
Video Compression		Main stream: H.265 / H.264 Sub/Third stream: H.265 / H.264 / MJPEG		
H.265 Compression Standard		Main Profile@Leve4.1 High Tier		
Resolution		4MP (2560 × 1440), 3MP (2304 × 1296), 1080P (1920 × 1080), 720P (1280 × 720), D1, VGA (640×480), 480×240, CIF		
Main Stream		60Hz: 4MP/3MP/1080P/720P(1~30fps); 50Hz: 4MP/3MP/1080P/720P(1~25fps)		
Sub Stream		60Hz: 720P/D1/VGA/CIF (1~30fps); 50Hz: 720P/D1/VGA/CIF (1~25fps)		
Third Stream		60Hz: D1/480×240/CIF (1~30fps); 50Hz: D1/480×240/CIF (1~25fps)		
Bit Rate		64 Kbps ~ 8 Mbps		
Bit Rate Type		VBR / CBR		
Image Settings		ROI, Saturation, Brightness, Hue, Contrast, Wide Dynamic, Sharpness, Image Mirror, Image Flip, NR, etc. adjustable through client software or web browser		
ROI		Each ROI to be configured separately		
Interfaces				
Network		RJ 45 10M/100M self-adaptive Ethernet port		
Video Output		No		
Audio		1CH audio input		
Storage		Built-in micro SD card slot, up to 256GB		
Reset		Yes		
Functions				
Remote Monitoring		Web browser / TVT NVR/NVMS2.X/Mobile APP		
Web Browser		IE11(plug-in required)/Chrome 89.0+/Edge 89.0+/Firefox 87.0+/Safari 14.0+		
Online Connection		Support simultaneous monitoring for up to 3 users; Support multi-stream real time transmission		
Network Protocol		UDP, IPv4, IPv6, DHCP, NTP, RTSP, RTP, RTCP, PPPoE, DDNS, SMTP, FTP, 802.1x, SNMP, UPnP, HTTP, HTTPS, QoS		
Interface Protocol		ONVIF		
Storage		Network remote storage; micro SD card storage		
Smart Alarm		Motion detection, SD card full, SD card error		
Smart Event		Video exception (scene change, video blur and abnormal color detection), line crossing detection, region intrusion detection, abandoned/missing object detection		
General Function		Watermark, video mask, heartbeat, corridor pattern		
Security		Video encryption, firmware encryption, HTTPS encryption, configuration encryption, illegal login lock, IP address filtering, 802.1x authentication, basic and digest authentication for HTTP/HTTPS		
PoE		Yes		
IR Distance		20 ~ 30 m		
Ingress Protection		IP67		
DORI Distance				
Lens	Detect	Observe	Recognize	Identify
2.8mm	61.76m(202.62ft)	24.70m(81.03ft)	12.35m(40.51ft)	6.18m(20.27ft)
3.6mm	79.13m(259.61ft)	31.65m(103.83ft)	15.83m(51.93ft)	7.91m(25.95ft)

Wi-Fi	
Wireless Standards	IEEE802.11b/g/n
Frequency Range	2.4GHz ~ 2.4835 GHz
Channel Bandwidth	20MHz
Security	WEP, WPA-PSK/WPA2-PSK
Wireless Range	80m
Transfer Rates	11b: 11Mbps 11g: 54Mbps 11n: up to 150Mbps
Others	
Power Supply	DC12V 2.0A / PoE DC48V 0.35A
Power Consumption	< 5W
Operating Environment	-30 °C ~ 60 °C (-22°F~140°F); Humidity: less than 95 % (non-condensing)
Storage Environment	-30 °C ~ 65°C (-22°F~149°F), Humidity: less than 95 % (non-condensing)
Dimensions (mm)	167.6 × 74.7 × 148.2
Weight (net)	Approx. 0.465KG
Installation	Ceiling mounting; Wall mounting
Certificate	CE, FCC
Environmental Protection	Complies with Directive EU RoHS, WEEE(2012/19/EU), directive 94/62/EC and REACH(EC1907/2006)

DIMENSIONS



AVAILABLE ACCESSORIES



AVAILABLE MODEL

Available Model	TD-9441S4(D/PE/WF/AR2)
-----------------	------------------------

FCC Warning:

This equipment has been tested and found to comply with the limits for a Class B digital device, pursuant to part 15 of the FCC Rules. These limits are designed to provide reasonable protection against harmful interference in a residential installation. This equipment generates, uses and can radiate radio frequency energy and, if not installed and used in accordance with the instructions, may cause harmful interference to radio communications. However, there is no guarantee that interference will not occur in a particular installation. If this equipment does cause harmful interference to radio or television reception, which can be determined by turning the equipment off and on, the user is encouraged to try to correct the interference by one or more of the following measures:

- Reorient or relocate the receiving antenna.
- Increase the separation between the equipment and receiver.
- Connect the equipment into an outlet on a circuit different from that to which the receiver is connected.
- Consult the dealer or an experienced radio/TV technician for help.

Caution: Any changes or modifications to this device not explicitly approved by manufacturer could void your authority to operate this equipment.

This device complies with part 15 of the FCC Rules. Operation is subject to the following two conditions:

(1) This device may not cause harmful interference, and (2) this device must accept any interference received, including interference that may cause undesired operation.

This equipment complies with FCC radiation exposure limits set forth for an uncontrolled environment. This equipment should be installed and operated with minimum distance 20cm between the radiator and your body.