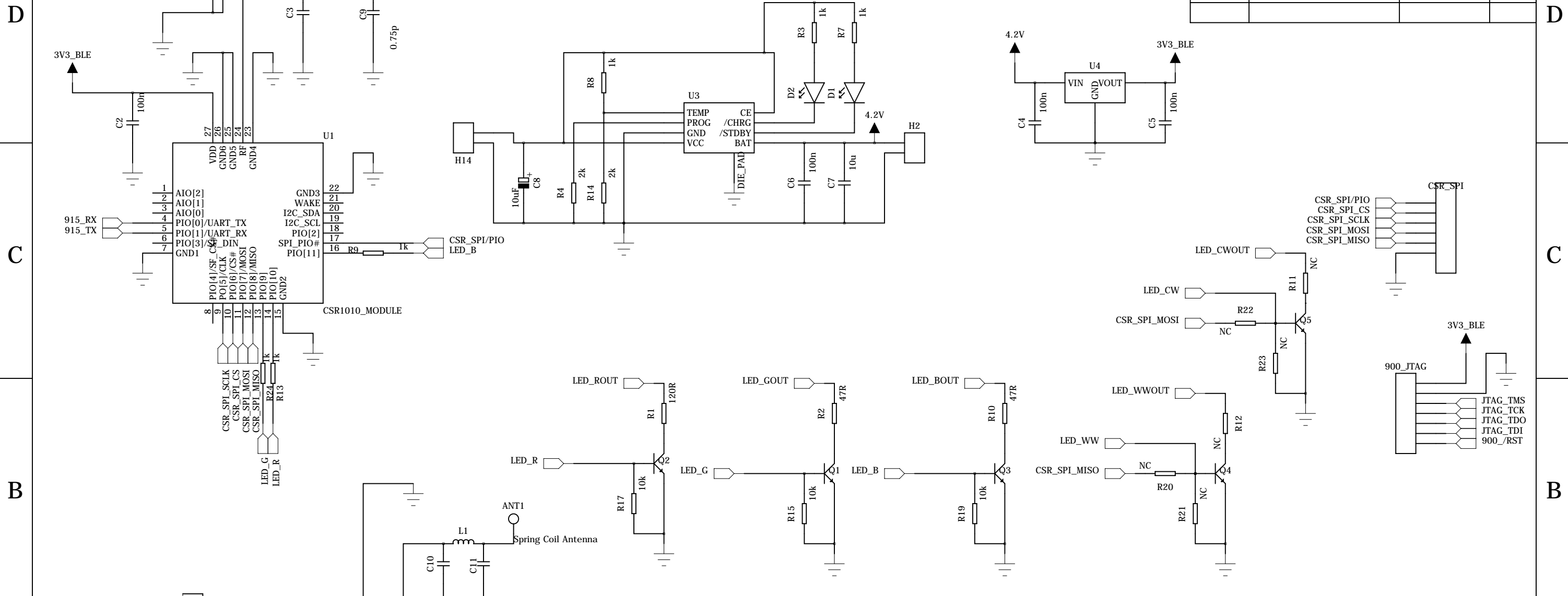


6 5 4 3 2 1

REVISION RECORD			
LTR	ECO NO:	APPROVED:	DATE:



D

D

C

C

B

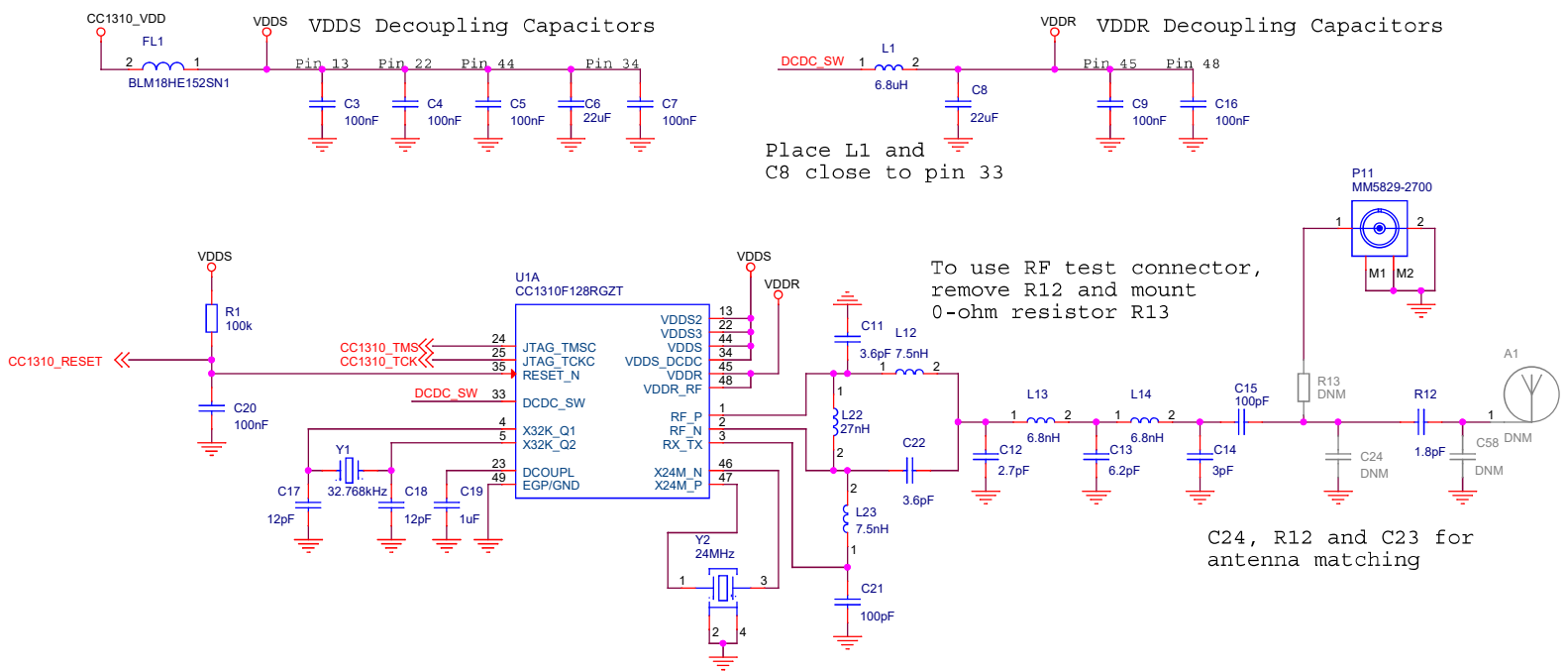
B

A

A

COMPANY: <Company Name>			
TITLE: <Title>			
DRAWN: <Drawn By>	DATED: <Drawn Date>		
CHECKED: <Checked By>	DATED: <Checked Date>	CODE: <Code>	SIZE: B
QUALITY CONTROL: <QC By>	DATED: <QC Date>	DRAWING NO: <Drawing Number>	
RELEASED: <Released By>	DATED: <Release Date>	REV: <Revision>	
SCALE: <Scale>			SHEET: 1 of 1

CC1310 RF

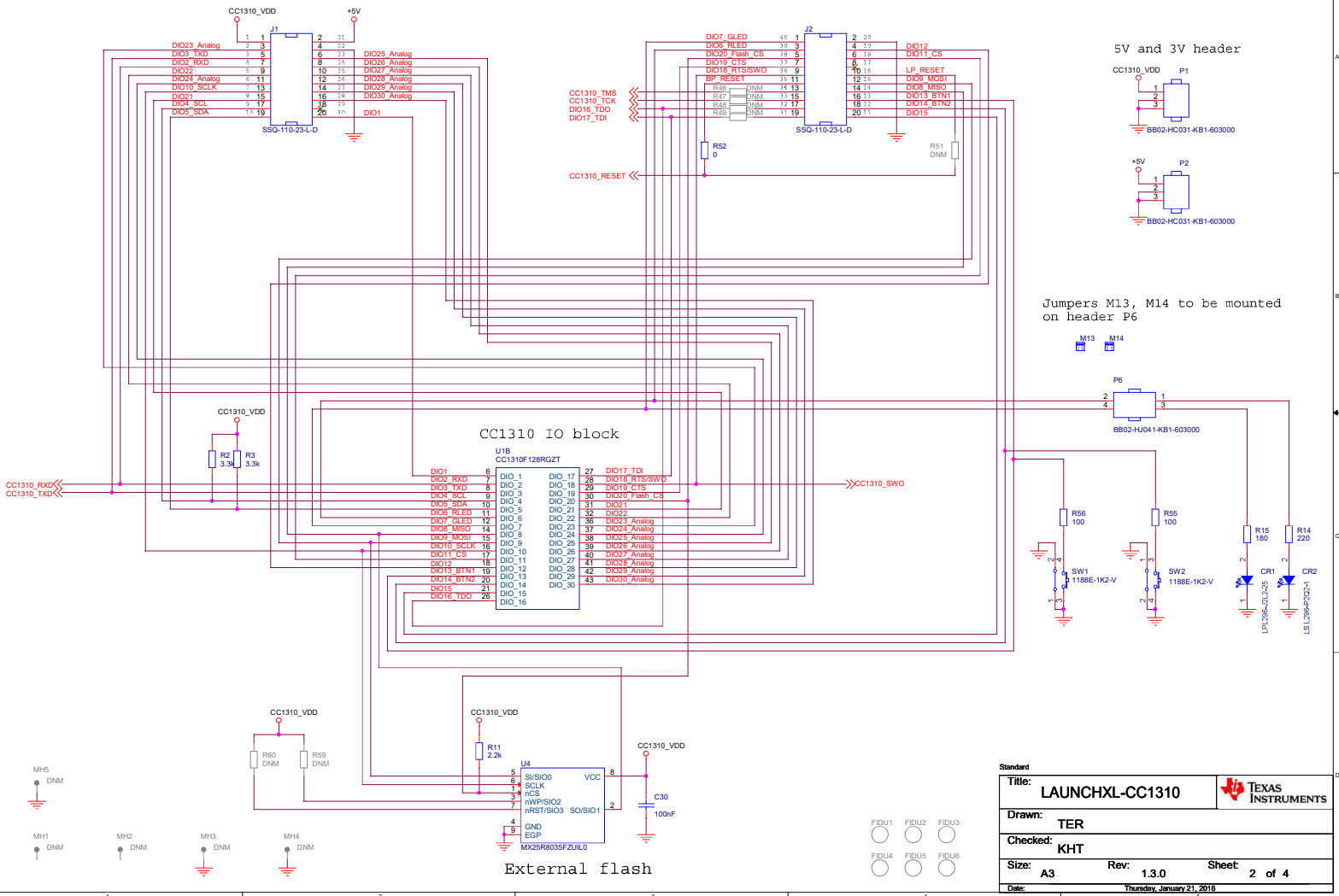


CC1310 IO block placed on page 2.

Standard

Title: LAUNCHXL-CC1310		
Drawn: TER, KHT		
Checked: KHT		
Size: A4	Rev: 1.3.0	Sheet: 1 of 4
Date: Thursday, January 21, 2016		

BoosterPack Headers and Peripherals



Standard		Title: LAUNCHXL-CC1310		TEXAS INSTRUMENTS	
Drawn:	TER				
Checked:	KHT				
Size:	A3	Rev:	1.3.0	Sheet:	2 of 4
Date:	Thursday, January 21, 2016				

