

TEST REPORT

Report No.: 19020488HKG-003

Lexi Devices, Inc.

Application For Certification
(Original Grant)

FCC ID: 2ATOT20003

Transceiver

Prepared and Checked by:

Approved by:

Signed On File
Chan Cheuk Hei, Henry
Assistant Engineer

Lee Shui Tim, Tim
Assistant Supervisor
Date: December 20, 2019

Intertek's standard Terms and Conditions can be obtained at our website <http://www.intertek.com/terms/>.

The test report only allows to be revised within the retention period unless further standard or the requirement was noticed.

This report is for the exclusive use of Intertek's Client and is provided pursuant to the agreement between Intertek and its Client. Intertek's responsibility and liability are limited to the terms and conditions of the agreement. Intertek assumes no liability to any party, other than to the Client in accordance with the agreement, for any loss, expense or damage occasioned by the use of this report. Only the Client is authorized to permit copying or distribution of this report and then only in its entirety. Any use of the Intertek name or one of its marks for the sale or advertisement of the tested material, product or service must first be approved in writing by Intertek. The observations and test results in this report are relevant only to the sample tested. This report by itself does not imply that the material, product, or service is or has ever been under an Intertek certification program.

© 2017 Intertek

TEST REPORT

GENERAL INFORMATION

Grantee:	Lexi Devices, Inc.
Grantee Address:	2342 Shattuck Ave, #260 Berkeley, CA 94704 USA
Contact Person:	Scott Cahill
Tel:	(1) 415-420-6426
Fax:	(852) 90207263
e-mail:	scott@lexidevices.com
Manufacturer:	Dong Guan City Shang Jiao Fu Chuen Electronics Limited
Manufacturer Address:	No. 55, Zhen Xing Road, Shang Jian District, Chang An Town, Dong Guan City, China
Brand Name:	LEXI
Model:	20003
Type of EUT:	Transceiver
Description of EUT:	LEXI Smart Tealight
Serial Number:	N/A
FCC ID:	2ATOT20003
Date of Sample Submitted:	February 22, 2019
Date of Test:	February 22, 2019 to March 19, 2019
Report No.:	19020488HKG-003
Report Date:	June 13, 2019
Environmental Conditions:	Temperature: +10 to 40°C Humidity: 10 to 90%
Conclusion:	Test was conducted by client submitted sample. The submitted sample as received complied with the 47 CFR Part 15 Certification.

TEST REPORT

SUMMARY OF TEST RESULT

Test Specification	Reference	Results
Transmitter Power Line Conducted Emissions	15.207	Pass
Radiated Emission	15.249, 15.209	Pass
Radiated Emission on the Bandedge		
Radiated Emission in Restricted Bands	15.205	Pass

The equipment under test is found to be complying with the following standards:
FCC Part 15, October 1, 2017 Edition

- Note:
1. The EUT uses a permanently attached antenna which, in accordance to section 15.203, is considered sufficient to comply with the provisions of this section.
 2. Pursuant to FCC part 15 Section 15.215(c), the 20 dB bandwidth of the emission was contained within the frequency band designated (mentioned as above) which the EUT operated. The effects, if any, from frequency sweeping, frequency hopping, other modulation techniques and frequency stability over excepted variations in temperature and supply voltage were considered.

TEST REPORT

TABLE OF CONTENTS

1.0 GENERAL DESCRIPTION 5

 1.1 Product Description5

 1.2 Related Submittal(s) Grants.....5

 1.3 Test Methodology5

 1.4 Test Facility5

2.0 SYSTEM TEST CONFIGURATION..... 6

 2.1 Justification6

 2.2 EUT Exercising Software6

 2.3 Special Accessories.....6

 2.4 Measurement Uncertainty6

 2.5 Support Equipment List and Description6

3.0 EMISSION RESULTS..... 7

 3.1 Field Strength Calculation.....7

 3.2 Radiated Emission Configuration Photograph.....8

 3.3 Radiated Emission Data.....8

 3.4 Conducted Emission Configuration Photograph8

 3.5 Conducted Emission Data.....8

4.0 EQUIPMENT PHOTOGRAPHS 14

5.0 PRODUCT LABELLING..... 14

6.0 TECHNICAL SPECIFICATIONS 14

7.0 INSTRUCTION MANUAL..... 14

8.0 MISCELLANEOUS INFORMATION 15

 8.1 Radiated Emission on the Bandedge.....15

 8.2 Emissions Test Procedures18

9.0 EQUIPMENT LIST 22

TEST REPORT

1.0 GENERAL DESCRIPTION

1.1 Product Description

The Equipment Under Test (EUT) is a Tea Light with Bluetooth BLE only function. The Bluetooth module in the EUT is operating in the frequency range from 2402MHz to 2480MHz (40 channels with 2MHz channel spacing). The EUT can be connected with a Bluetooth Device for choosing color of light emitted. The EUT is powered by 120VAC/3.7VDC.

The app controls the color of light emitted.

Antenna Type: Internal, Integral

For electronic filing, the brief circuit description is saved with filename: descri.pdf.

1.2 Related Submittal(s) Grants

This is a single application for certification of a transceiver.

1.3 Test Methodology

Both AC mains line-conducted and radiated emission measurements were performed according to the procedures in ANSI C63.10 (2013). All radiated measurements were performed in an 3m Chamber. Preliminary scans were performed in the 3m Chamber only to determine worst case modes. All radiated tests were performed at an antenna to EUT distance of 3 meters, unless stated otherwise in the “**Justification Section**” of this Application.

1.4 Test Facility

The 3m Chamber and conducted measurement facility used to collect the radiated data is located at Workshop No. 3, G/F., World-Wide Industrial Centre, 43-47 Shan Mei Street, Fo Tan, Sha Tin, N.T., Hong Kong SAR, China. This test facility and site measurement data have been placed on file with the FCC.

TEST REPORT

2.0 SYSTEM TEST CONFIGURATION

2.1 Justification

The system was configured for testing in a typical fashion (as a customer would normally use it), and in the confines as outlined in ANSI C63.10 (2013).

The device was powered by 120VAC/ 3.7VDC Li-Ion rechargeable battery.

For maximizing emissions, the EUT was rotated through 360°, the antenna height was varied from 1 meter to 4 meters above the ground plane, and the antenna polarization was changed. This step by step procedure for maximizing emissions led to the data reported in Exhibit 3.0.

The unit was operated standalone and placed in the center of the turntable.

The equipment under test (EUT) was configured for testing in a typical fashion (as a customer would normally use it). The EUT was mounted to a plastic stand if necessary and placed on the wooden turntable, which enabled the engineer to maximize emissions through its placement in the three orthogonal axes.

2.2 EUT Exercising Software

There was no special software to exercise the device. Once the unit is powered up, it transmits the RF signal continuously.

2.3 Special Accessories

There are no special accessories necessary for compliance of this product.

2.4 Measurement Uncertainty

When determining of the test conclusion, the Measurement Uncertainty of test has been considered.

2.5 Support Equipment List and Description

1. AC Adapter (Provided by Applicant)
Model: HKP06-0501000dU
Input: 100-240VAC 50/60Hz
Output: 5V 1A

TEST REPORT

3.0 EMISSION RESULTS

Data is included of the worst case configuration (the configuration which resulted in the highest emission levels). A sample calculation, configuration photographs and data tables of the emissions are included.

3.1 Field Strength Calculation

The field strength is calculated by adding the Antenna Factor and Cable Factor, and subtracting the Amplifier Gain (if any), Average Factor (optional) from the measured reading. The basic equation with a sample calculation is as follows:

$$FS = RA + AF + CF - AG - AV$$

where FS = Field Strength in dB μ V/m

RA = Receiver Amplitude (including preamplifier) in dB μ V

CF = Cable Attenuation Factor in dB

AF = Antenna Factor in dB

AG = Amplifier Gain in dB

AV = Average Factor in dB

In the following table(s), the reading shown on the data table reflects the preamplifier gain. An example for the calculations in the following table is as follows:

$$FS = RR + LF$$

where FS = Field Strength in dB μ V/m

RR = RA - AG - AV in dB μ V

LF = CF + AF in dB

Assume a receiver reading of 52.0 dB μ V is obtained. The antenna factor of 7.4 dB and cable factor of 1.6 dB are added. The amplifier gain of 29 dB and average factor of 5 dB are subtracted, giving a field strength of 32 dB μ V/m. This value in dB μ V/m was converted to its corresponding level in μ V/m.

$$RA = 52.0 \text{ dB}\mu\text{V/m}$$

$$AF = 7.4 \text{ dB}$$

$$CF = 1.6 \text{ dB}$$

$$AG = 29.0 \text{ dB}$$

$$AV = 5.0 \text{ dB}$$

$$FS = RR + LF$$

$$FS = 18 + 9 = 27 \text{ dB}\mu\text{V/m}$$

$$RR = 18.0 \text{ dB}\mu\text{V}$$

$$LF = 9.0 \text{ dB}$$

$$\text{Level in } \mu\text{V/m} = \text{Common Antilogarithm } [(27 \text{ dB}\mu\text{V/m})/20] = 22.4 \mu\text{V/m}$$

TEST REPORT

3.2 Radiated Emission Configuration Photograph

The worst case in radiated emission was found at 2480 MHz

For electronic filing, the worst case radiated emission configuration photographs are saved with filename: radiated photos.pdf.

3.3 Radiated Emission Data

The data on the following page lists the significant emission frequencies, the limit and the margin of compliance. Numbers with a minus sign are below the limit.

Judgment: Passed by 15.8 dB

3.4 Conducted Emission Configuration Photograph

For electronic filing, the worst case line-conducted configuration photographs are saved with filename: conducted photo.pdf.

3.5 Conducted Emission Data

For electronic filing, the graph and data table of conducted emission is saved with filename: conducted.pdf.

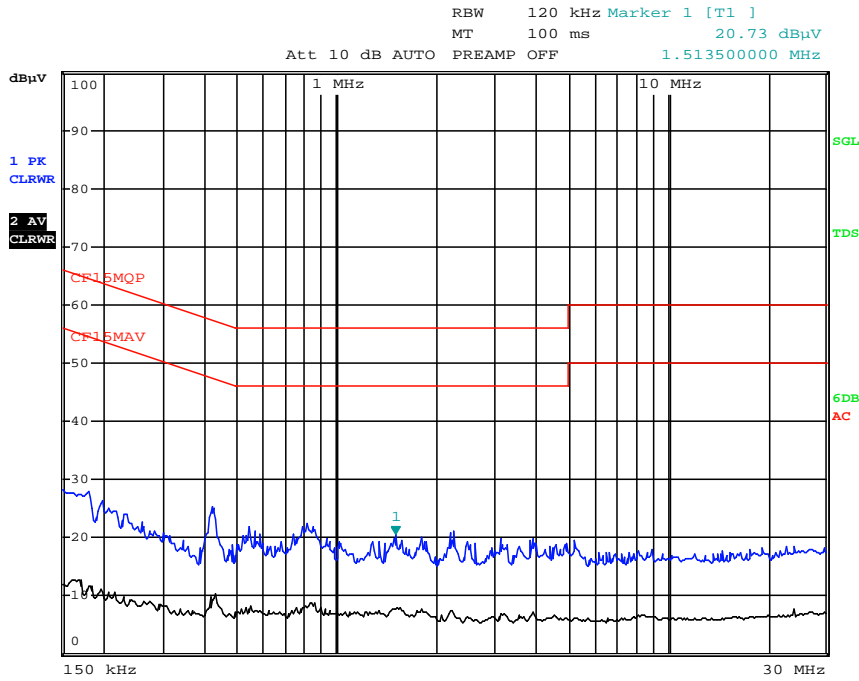
TEST REPORT

CONDUCTED EMISSION

Model: 20003

Date of Test: March 19, 2019

Worst-Case Operating Mode: On Mode



Note: Measurement Uncertainty is ± 4.2 dB at a level of confidence of 95%.

TEST REPORT

RADIATED EMISSIONS

Model: 20003

Date of Test: March 19, 2019

Worst-Case Operating Mode: Transmitting

Table 1
Pursuant to FCC Part 15 Section 15.249 Requirement

Lowest Channel

Polarization	Frequency (MHz)	Reading (dBµV)	Pre-Amp Gain (dB)	Antenna Factor (dB)	Net at 3m - Peak (dBµV/m)	Average Factor (dB)	Calculated at 3m (dBµV/m)	Average Limit at 3m (dBµV/m)	Margin (dB)
H	2402.000	80.7	33	29.4	77.1	0	77.1	94.0	-16.9
H	4804.000	27.3	33	34.9	29.2	0	29.2	54.0	-24.9
H	7206.000	20.6	33	37.9	25.5	0	25.5	54.0	-28.5
H	9608.000	16.3	33	40.4	23.7	0	23.7	54.0	-30.4
H	12010.000	9.2	33	40.5	16.7	0	16.7	54.0	-37.3
H	14412.000	9.2	33	40.0	16.2	0	16.2	54.0	-37.8

Polarization	Frequency (MHz)	Reading (dBµV)	Pre-Amp Gain (dB)	Antenna Factor (dB)	Net at 3m - Peak (dBµV/m)	Peak Limit at 3m (dBµV/m)	Margin (dB)
H	2402.000	95.7	33	29.4	92.1	114.0	-21.9
H	4804.000	40.2	33	34.9	42.1	74.0	-32.0
H	7206.000	33.5	33	37.9	38.4	74.0	-35.6
H	9608.000	29.2	33	40.4	36.6	74.0	-37.5
H	12010.000	21.6	33	40.5	29.1	74.0	-44.9
H	14412.000	22.0	33	40.0	29.0	74.0	-45.0

- NOTES:
1. Peak Detector Data unless otherwise stated.
 2. All measurements were made at 3 meters. Harmonic emissions not detected at the 3-meter distances were measured at 0.3-meter and an inverse proportional extrapolation was performed to compare the signal level to the 3-meter limit. No other harmonic emissions than those reported were detected at a test distance of 0.3-meter.
 3. Negative sign in the column shows value below limit.
 4. Horn antenna is used for the emission over 1000MHz.
 5. Emission (the row indicated by ***bold italic***) within the restricted band meets the requirement of FCC Part 15 Section 15.205.
 6. Measurement Uncertainty is ±5.3dB at a level of confidence of 95%.

TEST REPORT

Model: 20003
Date of Test: March 19, 2019
Worst-Case Operating Mode: Transmitting

Table 2
Pursuant to FCC Part 15 Section 15.249 Requirement

Middle Channel

Polarization	Frequency (MHz)	Reading (dBµV)	Pre-Amp Gain (dB)	Antenna Factor (dB)	Net at 3m - Peak (dBµV/m)	Average Factor (dB)	Calculated at 3m (dBµV/m)	Average Limit at 3m (dBµV/m)	Margin (dB)
H	2440.000	80.4	33	29.4	76.8	0	76.8	94.0	-17.2
H	4880.000	27.2	33	34.9	29.1	0	29.1	54.0	-24.9
H	7320.000	20.7	33	37.9	25.6	0	25.6	54.0	-28.4
H	9760.000	16.2	33	40.4	23.6	0	23.6	54.0	-30.5
H	12200.000	13.7	33	40.5	21.2	0	21.2	54.0	-32.9
H	14640.000	15.4	33	38.4	20.8	0	20.8	54.0	-33.3

Polarization	Frequency (MHz)	Reading (dBµV)	Pre-Amp Gain (dB)	Antenna Factor (dB)	Net at 3m - Peak (dBµV/m)	Peak Limit at 3m (dBµV/m)	Margin (dB)
H	2440.000	95.7	33	29.4	92.1	114.0	-21.9
H	4880.000	39.8	33	34.9	41.7	74.0	-32.3
H	7320.000	33.3	33	37.9	38.2	74.0	-35.8
H	9760.000	30.1	33	40.4	37.5	74.0	-36.6
H	12200.000	28.5	33	40.5	36.0	74.0	-38.0
H	14640.000	28.0	33	38.4	33.4	74.0	-40.7

- NOTES:
1. Peak Detector Data unless otherwise stated.
 2. All measurements were made at 3 meters. Harmonic emissions not detected at the 3-meter distances were measured at 0.3-meter and an inverse proportional extrapolation was performed to compare the signal level to the 3-meter limit. No other harmonic emissions than those reported were detected at a test distance of 0.3-meter.
 3. Negative sign in the column shows value below limit.
 4. Horn antenna is used for the emission over 1000MHz.
 5. Emission (the row indicated by **bold italic**) within the restricted band meets the requirement of FCC Part 15 Section 15.205.
 6. Measurement Uncertainty is ±5.3dB at a level of confidence of 95%.

TEST REPORT

Model: 20003
Date of Test: March 19, 2019
Worst-Case Operating Mode: Transmitting

Table 3
Pursuant to FCC Part 15 Section 15.249 Requirement

Highest Channel

Polarization	Frequency (MHz)	Reading (dBμV)	Pre-Amp Gain (dB)	Antenna Factor (dB)	Net at 3m - Peak (dBμV/m)	Average Factor (dB)	Calculated at 3m (dBμV/m)	Average Limit at 3m (dBμV/m)	Margin (dB)
H	2480.000	81.8	33	29.4	78.2	0	78.2	94.0	-15.8
H	4960.000	28.9	33	34.9	30.8	0	30.8	54.0	-23.2
H	7440.000	21.0	33	37.9	25.9	0	25.9	54.0	-28.1
H	9920.000	16.7	33	40.4	24.1	0	24.1	54.0	-29.9
H	12400.000	12.0	33	40.5	19.5	0	19.5	54.0	-34.5
H	14880.000	15.5	33	38.4	20.9	0	20.9	54.0	-33.1

Polarization	Frequency (MHz)	Reading (dBμV)	Pre-Amp Gain (dB)	Antenna Factor (dB)	Net at 3m - Peak (dBμV/m)	Peak Limit at 3m (dBμV/m)	Margin (dB)
H	2480.000	97.2	33	29.4	93.6	114.0	-20.4
H	4960.000	40.6	33	34.9	42.5	74.0	-31.5
H	7440.000	32.7	33	37.9	37.6	74.0	-36.4
H	9920.000	28.4	33	40.4	35.8	74.0	-38.2
H	12400.000	23.7	33	40.5	31.2	74.0	-42.8
H	14880.000	27.2	33	38.4	32.6	74.0	-41.4

- NOTES:
1. Peak Detector Data unless otherwise stated.
 2. All measurements were made at 3 meters. Harmonic emissions not detected at the 3-meter distances were measured at 0.3-meter and an inverse proportional extrapolation was performed to compare the signal level to the 3-meter limit. No other harmonic emissions than those reported were detected at a test distance of 0.3-meter.
 3. Negative sign in the column shows value below limit.
 4. Horn antenna is used for the emission over 1000MHz.
 5. Emission (the row indicated by ***bold italic***) within the restricted band meets the requirement of FCC Part 15 Section 15.205.
 6. Measurement Uncertainty is ±5.3dB at a level of confidence of 95%.

TEST REPORT

Model: 20003
Date of Test: March 19, 2019
Worst-Case Operating Mode: Transmitting

Table 4
Pursuant to FCC Part 15 Section 15.109 Requirement

Polarization	Frequency (MHz)	Reading (dBμV)	Pre-amp (dB)	Antenna Factor (dB)	Net at 3m (dBμV/m)	Limit at 3m (dBμV/m)	Margin (dB)
V	69.363	19.5	16	7.0	10.5	40.0	-29.5
V	94.073	19.3	16	11.0	14.3	43.5	-29.2
V	106.565	22.3	16	13.0	19.3	43.5	-24.2
V	112.902	26.9	16	14.0	24.9	43.5	-18.6
V	131.854	26.8	16	14.0	24.8	43.5	-18.7
V	150.562	26.5	16	14.0	24.5	43.5	-19.0
V	219.634	16.6	16	17.0	17.6	46.0	-28.4
V	390.381	15.0	16	25.0	24.0	46.0	-22.0

- NOTES:
1. Peak Detector Data unless otherwise stated.
 2. All measurements were made at 3 meters. Harmonic emissions not detected at the 3-meter distances were measured at 0.3-meter and an inverse proportional extrapolation was performed to compare the signal level to the 3-meter limit. No other harmonic emissions than those reported were detected at a test distance of 0.3-meter.
 3. Negative sign in the column shows value below limit.
 4. Horn antenna is used for the emission over 1000MHz.
 5. Emission (the row indicated by ***bold italic***) within the restricted band meets the requirement of FCC Part 15 Section 15.205.
 6. Measurement Uncertainty is ±5.3dB at a level of confidence of 95%.

TEST REPORT

4.0 EQUIPMENT PHOTOGRAPHS

For electronic filing, the photographs are saved with filename: external photos.pdf and internal photos.pdf.

5.0 PRODUCT LABELLING

For electronics filing, the FCC ID label artwork and the label location are saved with filename: label.pdf.

6.0 TECHNICAL SPECIFICATIONS

For electronic filing, the block diagram and schematic of the tested EUT are saved with filename: block.pdf and circuit.pdf respectively.

7.0 INSTRUCTION MANUAL

For electronic filing, a preliminary copy of the Instruction Manual is saved with filename: manual.pdf.

This manual will be provided to the end-user with each unit sold/leased in the United States.

TEST REPORT

8.0 MISCELLANEOUS INFORMATION

The miscellaneous information includes details of the test procedure and measured bandwidth.

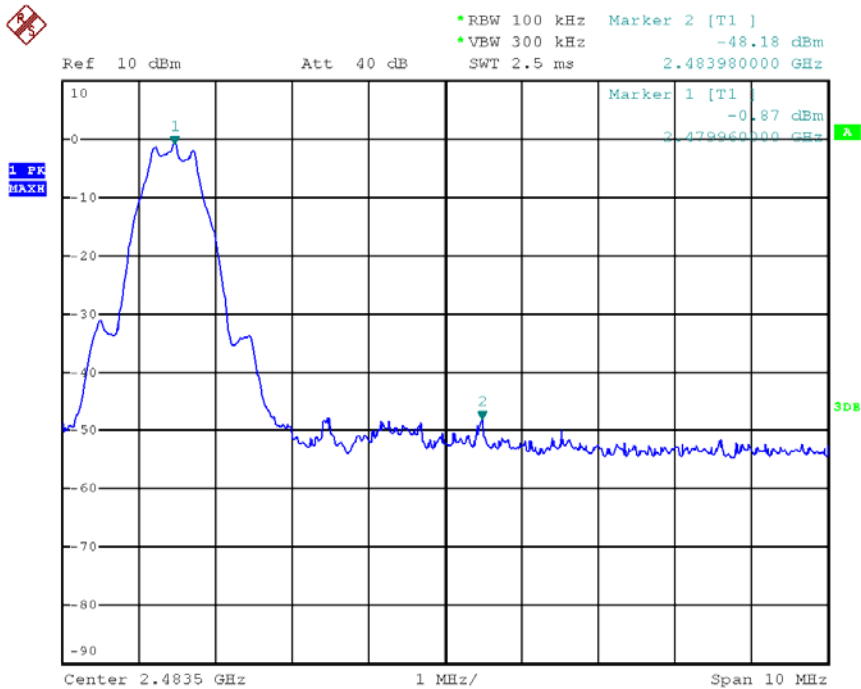
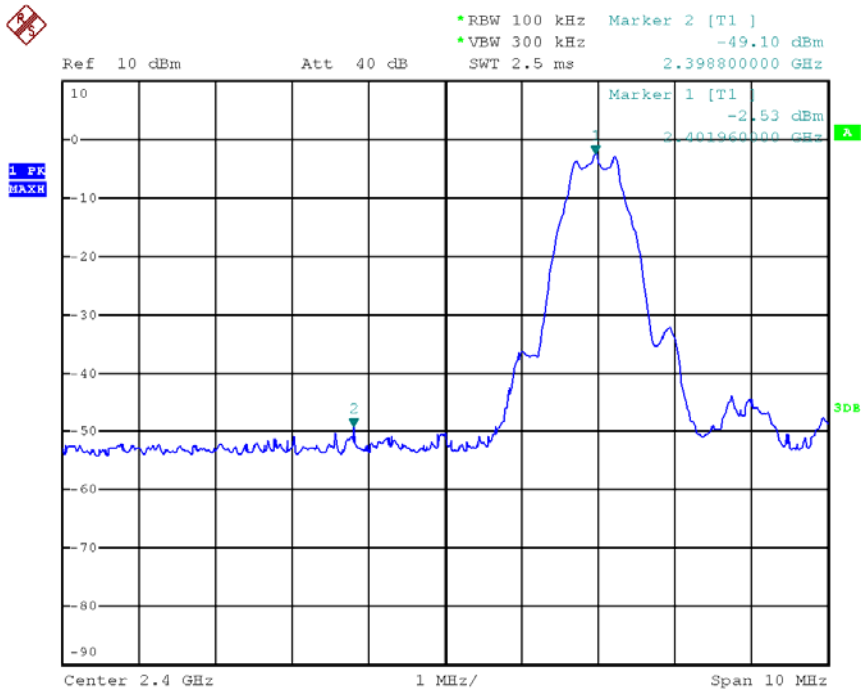
8.1 Radiated Emission on the Bandedge

From the following plots, they show that the fundamental emissions are confined in the specified band (2400MHz to 2483.5MHz). In case of the fundamental emissions are within two standard bandwidths from the bandedge, the delta measurement technique is used for determining bandedge compliance. Standard bandwidth is the bandwidth specified by ANSI C63.10 (2013) for frequency being measured.

Emissions radiated outside of the specified frequency bands, except harmonics, are attenuated by 50dB below the level of the fundamental or to the general radiated emissions limits in Section 15.209 , whichever is the lesser attenuation, which meet the requirement of part 15.249(d).

TEST REPORT

PEAK MEASUREMENT



TEST REPORT

PEAK MEASUREMENT

Bandedge compliance is determined by applying marker-delta method, i.e. (Bandedge Plot).

Lower bandedge

Peak Resultant field strength = Fundamental emissions (peak value) – delta from the plot

=92.1 dB μ V/m – 49.1 dB

=43.0 dB μ V/m

Average Resultant field strength = Fundamental emissions (average value) – delta from the plot

=77.1 dB μ V/m – 49.1 dB

=28.0 dB μ V/m

Upper bandedge

Peak Resultant field strength = Fundamental emissions (peak value) – delta from the plot

=93.6 dB μ V/m – 48.2 dB

=45.4 dB μ V/m

Average Resultant field strength = Fundamental emissions (average value) – delta from the plot

=78.2 dB μ V/m – 48.2 dB

=30.0 dB μ V/m

The resultant field strength meets the general radiated emission limit in Section 15.209, which does not exceed 74 dB μ V/m (Peak Limit) and 54 dB μ V/m (Average Limit).

TEST REPORT

8.2 Emissions Test Procedures

The following is a description of the test procedure used by Intertek Testing Services Hong Kong Ltd. in the measurements of transmitter operating under the Part 15, Subpart C rules.

The transmitting equipment under test (EUT) is placed on a wooden turntable which is four feet in diameter and approximately 0.8m in height above the ground plane for emission measurement at or below 1GHz and 1.5m in height above the ground plane for emission measurement above 1GHz. During the radiated emissions test, the turntable is rotated and any cables leaving the EUT are manipulated to find the configuration resulting in maximum emissions. The EUT is adjusted through all three orthogonal axis to obtain maximum emission levels. The antenna height and polarization are also varied during the testing to search for maximum signal levels. The height of the antenna is varied from one to four meters.

Detector function for radiated emissions is in peak mode. Average readings, when required, are taken by measuring the duty cycle of the equipment under test and subtracting the corresponding amount in dB from the measured peak readings. A detailed description for the calculation of the average factor can be found in Exhibit 8.3.

The frequency range scanned is from the lowest radio frequency signal generated in the device which is greater than 9 kHz to the tenth harmonic of the highest fundamental frequency or 40 GHz, whichever is lower. For line conducted emissions, the range scanned is 150 kHz to 30 MHz.

TEST REPORT

8.2 Emissions Test Procedures (cont'd)

The EUT is warmed up for 15 minutes prior to the test.

AC power to the unit is varied from 85% to 115% nominal and variation in the fundamental emission field strength is recorded. If battery powered, a new, fully charged battery is used.

Conducted measurements were made as described in ANSI C63.10 (2013).

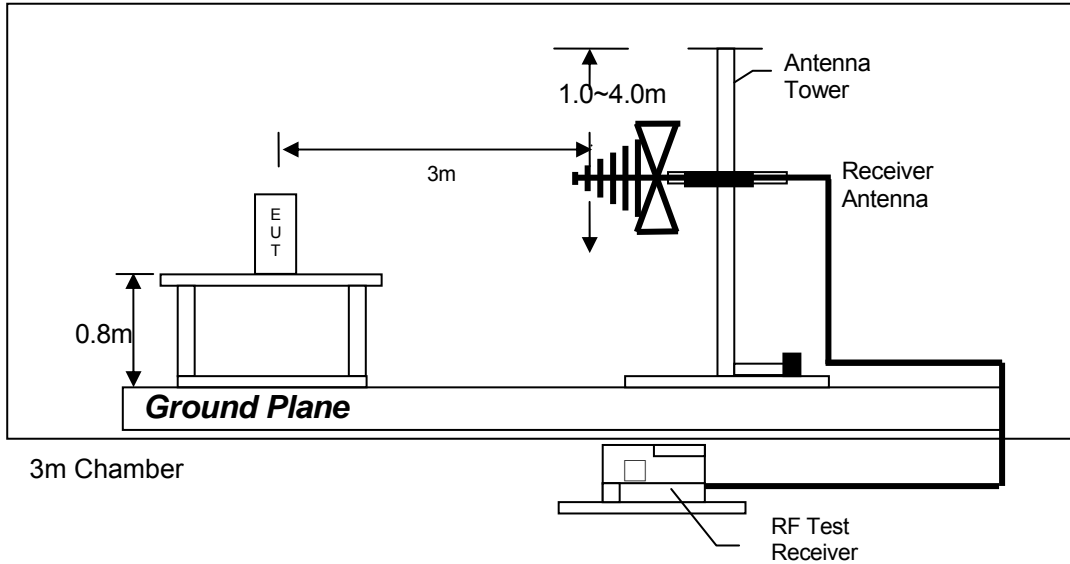
The IF bandwidth used for measurement of radiated signal strength was 100 kHz or greater when frequency is below 1000 MHz. Where pulsed transmissions of short enough pulse duration warrant, a greater bandwidth is selected according to the recommendations of Hewlett Packard Application Note 150-2. A discussion of whether pulse desensitivity is applicable to this unit is included in this report (See Exhibit 8.1). Above 1000 MHz, a resolution bandwidth of 3 MHz is used.

Transmitter measurements are normally conducted at a measurement distance of three meters. However, to assure low enough noise floor in the forbidden bands and above 1 GHz, signals are acquired at a distance of one meter or less. All measurements are extrapolated to three meters using inverse scaling, unless otherwise reported. Measurements taken at a closer distance are so marked.

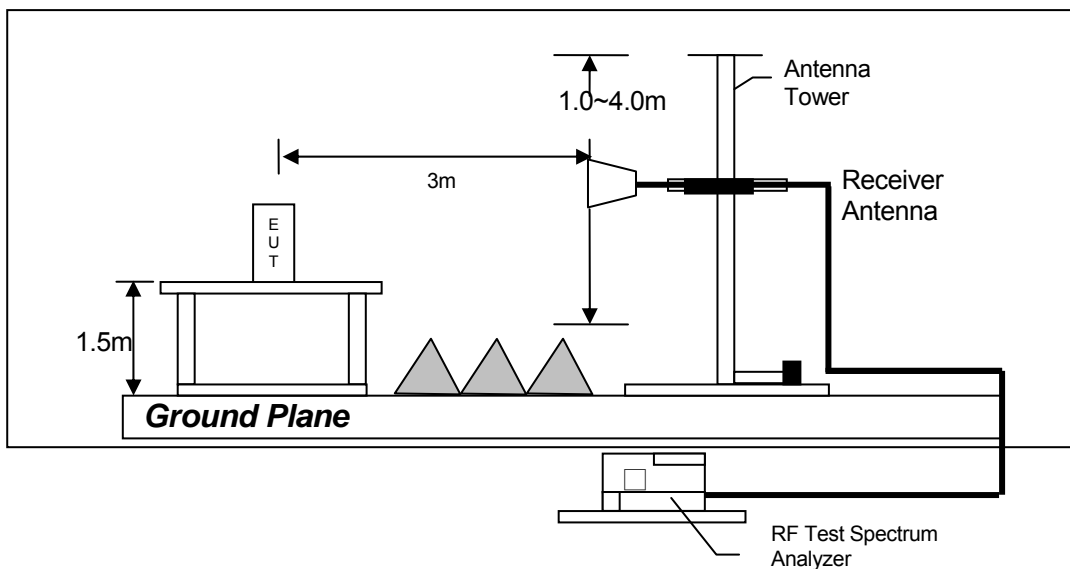
TEST REPORT

8.2.1 Radiated Emission Test Setup

The figure below shows the test setup, which is utilized to make these measurements.



Test setup of radiated emissions up to 1GHz



Test setup of radiated emissions above 1GHz

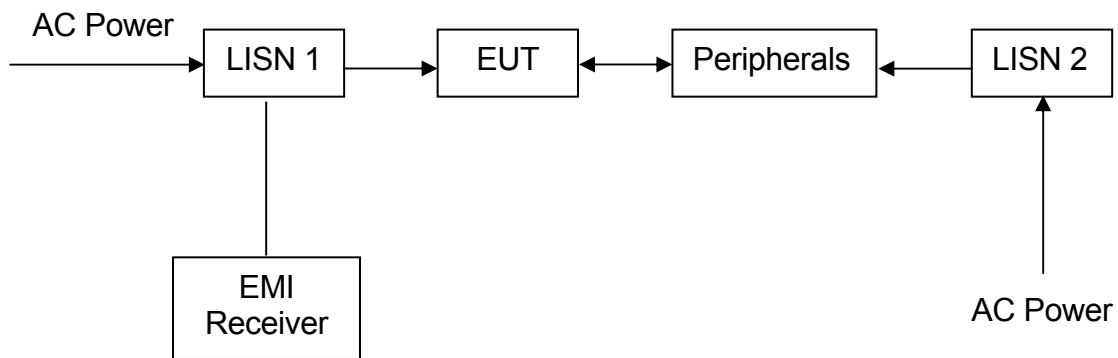
TEST REPORT

8.2.2 Conducted Emission Test Procedures

For tabletop equipment, the EUT along with its peripherals were placed on a 1.0m(W)×1.5m(L) and 0.8m in height wooden table. For floor-standing equipment, the EUT and all cables were insulated, if required, from the ground plane by up to 12 mm of insulating material. The EUT was adjusted to maintain a 0.4 meter space from a vertical reference plane. The EUT was connected to power mains through a line impedance stabilization network (LISN), which provided 50 ohm coupling impedance for measuring instrument and the chassis ground was bounded to the horizontal ground plane of shielded room. The excess power cable between the EUT and the LISN was bundled.

All connecting cables of EUT and peripherals were moved to find the maximum emission.

8.2.3 Conducted Emission Test Setup



TEST REPORT

9.0 EQUIPMENT LIST

1) Radiated Emissions Test

Equipment	EMI Test Receiver	Spectrum Analyzer	Biconical Antenna
Registration No.	EW-3156	EW-2253	EW-0571
Manufacturer	R&S	R&S	EMCO
Model No.	ESR26	FSP40	3104C
Calibration Date	November 19, 2018	November 27, 2018	February 27, 2018
Calibration Due Date	November 19, 2019	November 27, 2019	August 27, 2019

Equipment	Log Periodic Antenna	BiConiLog Antenna	Double Ridged Guide Antenna
Registration No.	EW-0447	EW-3061	EW-0194
Manufacturer	EMCO	EMCO	EMCO
Model No.	3146	3142E	3115
Calibration Date	January 17, 2018	November 02, 2017	March 14, 2018
Calibration Due Date	July 17, 2019	May 02, 2019	September 14, 2019

Equipment	RF Cable 14m (1GHz to 26.5GHz)	Solid State Low Noise Pre-amplifier Assembly (1 - 18)GHz	RF Pre-amplifier 3 pcs (9kHz to 40GHz)
Registration No.	EW-2781	EW-3229	EW-3006
Manufacturer	GREATBILLION	BONN ELEKTRO	SCHWARZBECK
Model No.	SMA m/SHF5MPU /SMA m ra14m,26G	BLMA 0118-5G	BBV 9718
Calibration Date	October 27, 2018	January 30, 2019	April 26, 2018
Calibration Due Date	October 27, 2019	January 30, 2020	April 26, 2019

Equipment	12m Double Shield RF Cable	Notch Filter (cutoff frequency 2.4GHz to 2.5GHz)	14m Double Shield RF Cable (20MHz - 6GHz)
Registration No.	EW-1852	EW-2213	EW-2505
Manufacturer	RADIALL	MICROTRONICS	RADIALL
Model No.	N(m)-RG142 - N(m)	BRM50701-02	nm / br5d / sma 14m
Calibration Date	March 04, 2019	May 24, 2018	October 27, 2018
Calibration Due Date	March 04, 2020	May 24, 2019	October 27, 2019

Equipment	12 metre RF Cable 40GHz	High Pass Filter 3GHz to 12GHz (2 Pieces)	Double Ridged Guide Antenna
Registration No.	EW-2774	EW-1835	EW-1133
Manufacturer	GREATBILLION	KLMICROWAVE	EMCO
Model No.	SMA m-m ra 12m 40G outdoor	11SH10-3000/T12000-0/OP	3115
Calibration Date	March 04, 2019	May 11, 2018	November 29, 2018
Calibration Due Date	March 04, 2020	May 11, 2019	May 29, 2020

TEST REPORT

2) Conducted Emissions Test

Equipment	EMI Test Receiver	Artificial Mains Network	RF Cable 80cm (RG142) (9kHz to 30MHz)
Registration No.	EW-3156	EW-2874	EW-2451
Manufacturer	R&S	ROHDESCHWARZ	RADIALL
Model No.	ESR26	ENV-216	bnc m st / 142 / bnc m st 80cm
Calibration Date	November 19, 2018	March 29, 2018	November 03, 2018
Calibration Due Date	November 19, 2019	March 29, 2019	November 03, 2019

3) Bandedge Measurement

Equipment	Spectrum Analyzer
Registration No.	EW-2253
Manufacturer	R&S
Model No.	FSP40
Calibration Date	November 27, 2018
Calibration Due Date	November 27, 2019

END OF TEST REPORT