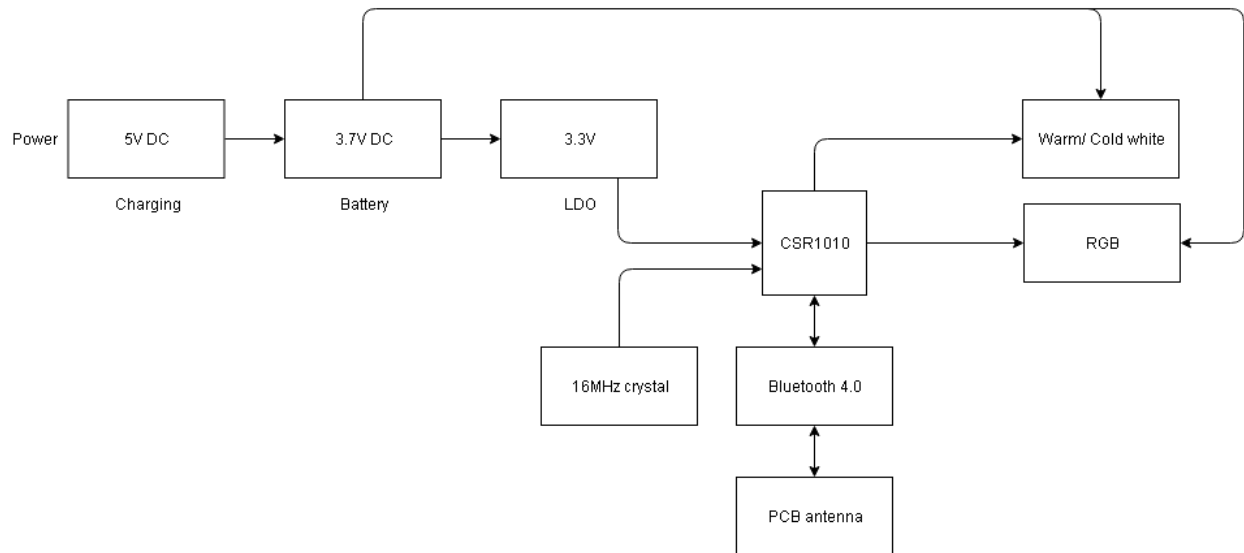


Tealight and LED Candle System Block and Function description



Description:

- 1) 5V DC input is used to charge the battery.
- 2) 3.7V battery is used to drive the warm white, cold white and RGB.
- 3) 3.7V is then step down to 3.3V to supply power for CSR1010 module
- 4) Bluetooth 4.0 module is in charge of communication with the CSR1010 to send and request commands
- 5) After CSR1010 has received command from other device, it will implement signal processing as
 - 5.1) Control RGB
 - 5.2) Control warm white/cold white

Operation frequency: 2402~2480MHz; RF channel:40; Modulation Type: GFSK; Antenna Gain: 0dBi