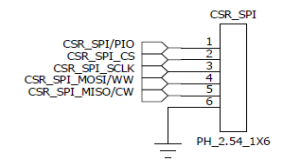
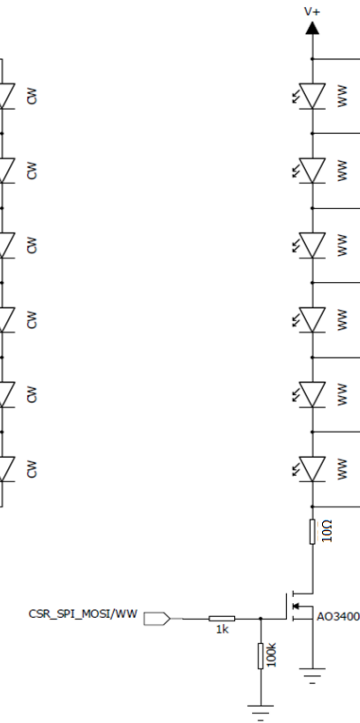
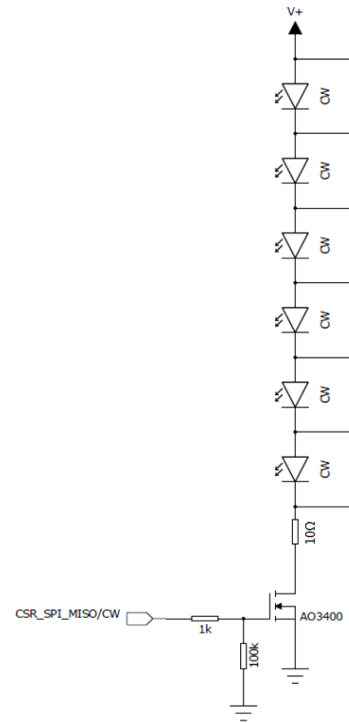
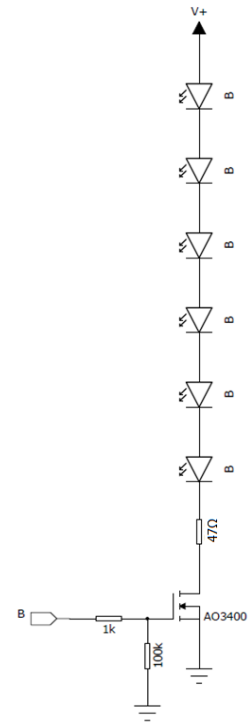
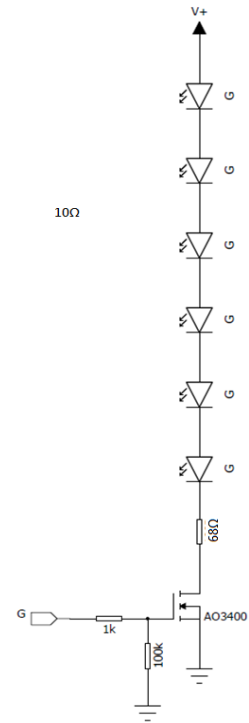
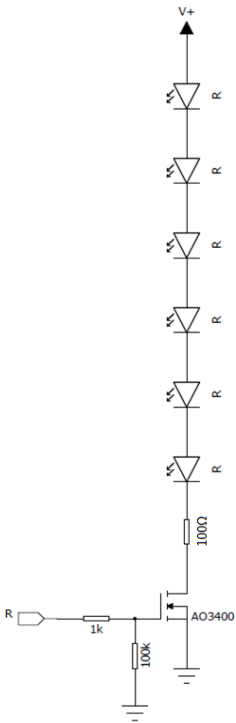
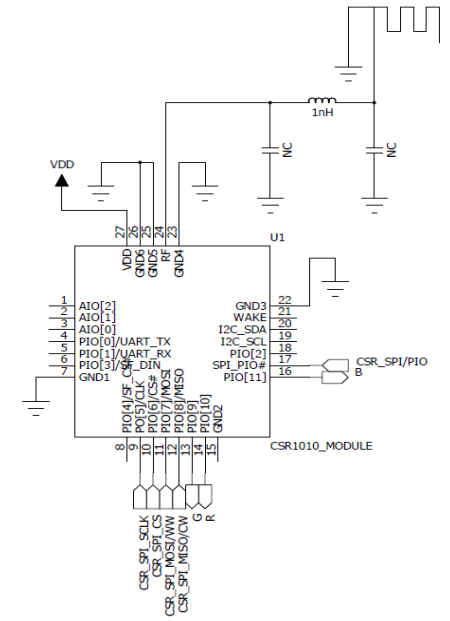
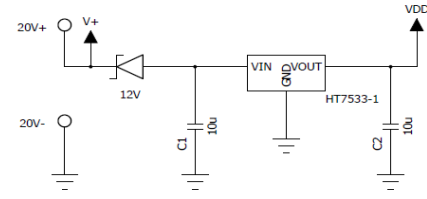
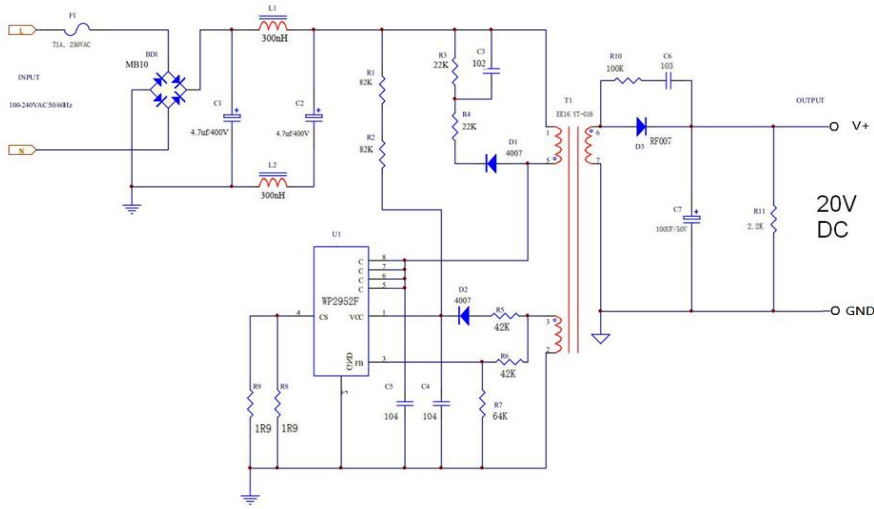


A19 Light Bulbs Circuit

Model: HL507-20-600



6

5

4

3

2

1

REVISION RECORD			
LTR	ECO NO:	APPROVED:	DATE:

D

D

C

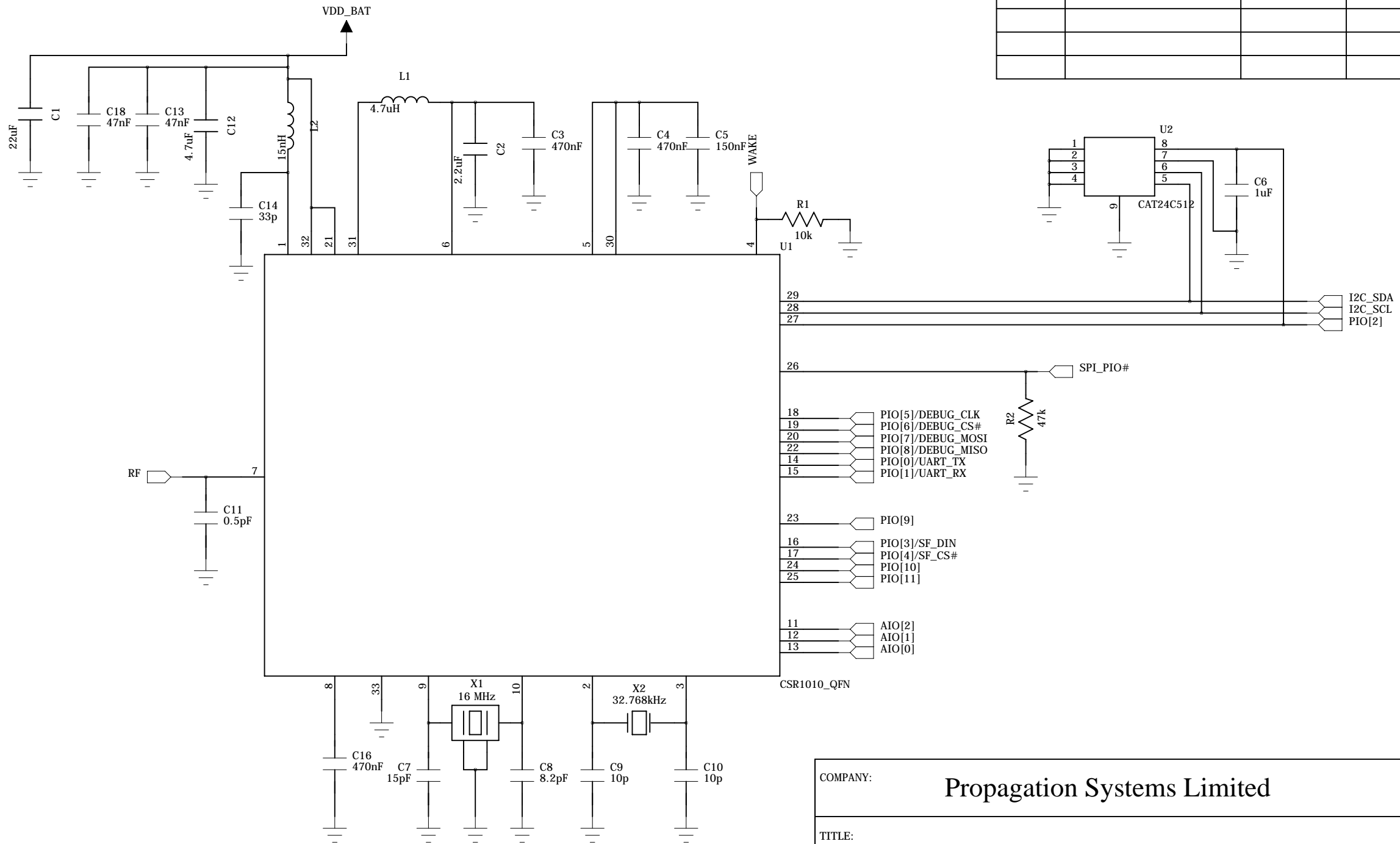
C

B

B

A

A



COMPANY: Propagation Systems Limited			
TITLE: PG-BLE-011			
DRAWING NO:		REV:	
PG-BLE-011		1	
SCALE:		SHEET: bf 2	

6

5

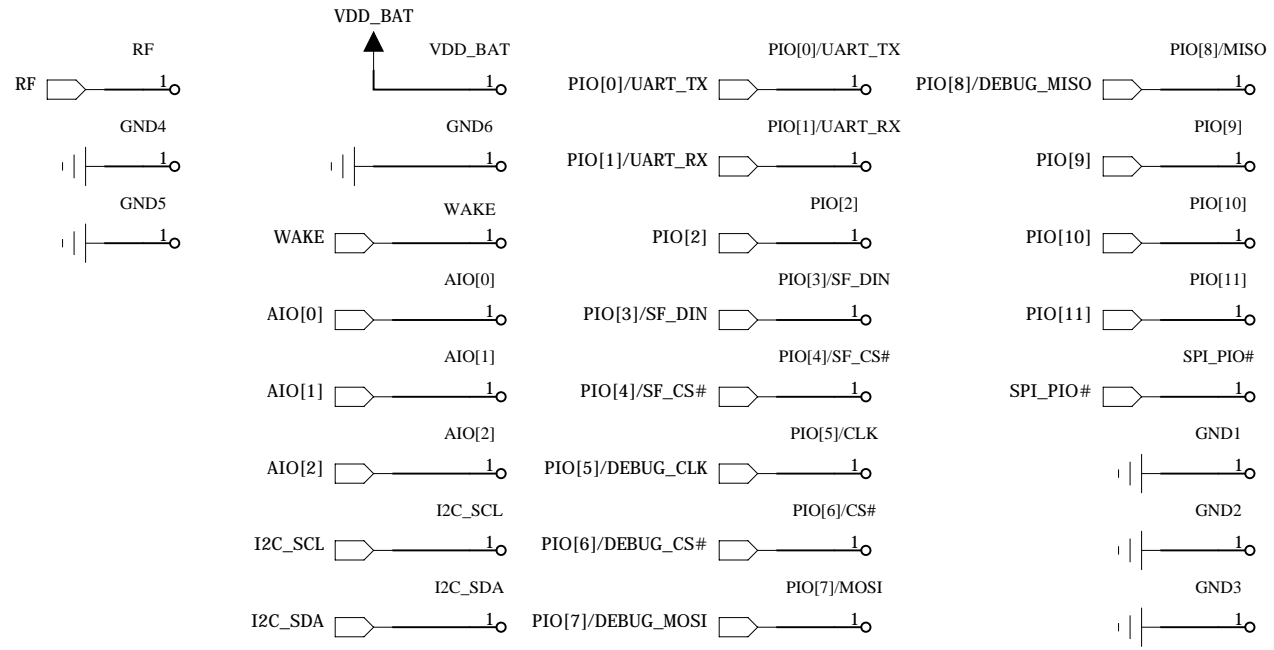
4

3

2

1

REVISION RECORD			
LTR	ECO NO:	APPROVED:	DATE:



D

D

C

C

B

B

A

A

COMPANY: Propagation Systems Limited			
TITLE: PG-BLE-011			
CODE: <Code>	SIZE: B	DRAWING NO: PG-BLE-011	REV: 1
SCALE: <Scale>			SHEET: 2F 2

DRAWN: <Drawn By>	DATED: <Drawn Date>
CHECKED: <Checked By>	DATED: <Checked Date>
QUALITY CONTROL: <QC By>	DATED: <QC Date>
RELEASED: <Released By>	DATED: <Release Date>