

FCC

This device complies with part 15 of the FCC Rules. Operation is subject to the following two conditions: (1) This device may not cause harmful interference, and (2) this device must accept any interference received, including interference that may cause undesired operation.

FCC Note: The manufacturer is not responsible for any radio or TV interference caused by unauthorized modifications to this equipment. Such modifications could void the user's authority to operate the equipment.

Note: This equipment has been tested and found to comply with the limits for a Class B digital device, pursuant to part 15 of the FCC Rules. These limits are designed to provide reasonable protection against harmful interference in a residential installation. This equipment generates, uses and can radiate radio frequency energy and, if not installed and used in accordance with the instructions, may cause harmful interference to radio communications. However, there is no guarantee that interference will not occur in a particular installation. If this equipment does cause harmful interference to radio or television reception, which can be determined by turning the equipment off and on, the user is encouraged to try to correct the interference by one or more of the following measures:

- Reorient or relocate the receiving antenna.
- Increase the separation between the equipment and receiver.
- Connect the equipment into an outlet on a circuit different from that to which the receiver is connected.
- Consult the dealer or an experienced radio/TV technician for help.

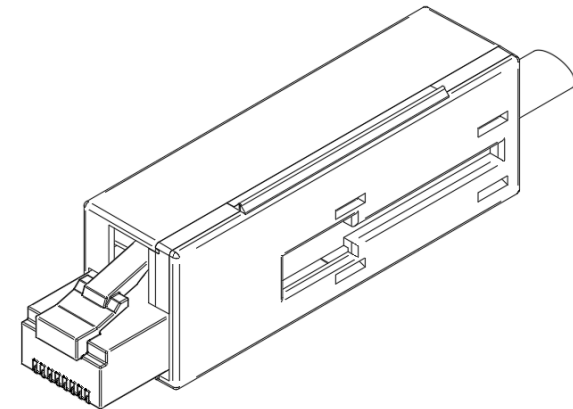
Important note: To comply with FCC RF exposure compliance requirements, no change to the antenna or the device is permitted. Any change to the antenna or the device could result in the device exceeding the RF exposure requirements and void user's authority to operate the device.

FCC ID: 2ATONEPRJ45

****Trademark / US patent / customer service****
Copyright Erkios Systems Inc 2019

[Back Cover]

Fortifi EP-RJ45 Manual



DRAFT COPY [Front Cover]

Introduction

The EP-RJ45 port security device is designed to secure your in-use and unused RJ45 ports.

CAUTION

- We strongly recommend that installation is performed by a trained IT Technician.
- Read the enclosed instructions carefully before installing the new EP-RJ45 device.
- Do not force open the device as irreparable damage to the device may occur.
- Do not dispose in trash.

Warranty

SPECIFICATIONS

Model Number: EP-RJ45

Power: 3v

Signal Frequency: 904 – 926 MHz

Operating Temperature Range: 32-104°F (0-40°C)

For Indoor use only

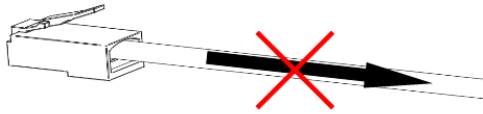
Specifications subject to change without notice due to continuing product development

Table of Contents:

Introduction	Page 1
Table of Contents	Page 2
In-Use Cable Lock Installation	Page 3
In-Use Port EP-RJ45 Installation	Page 4
Unused Port EP-RJ45 Installation	Page 5
Page holder	Page 6
Page holder	Page 7
Warranty and Specifications	Page 8
FCC	Back cover

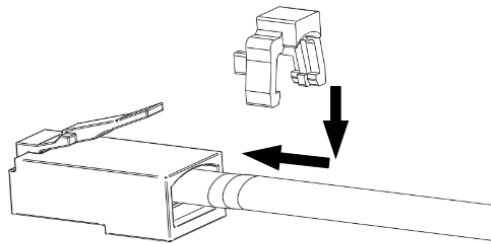
***** Check before Installation! *****

Place holder

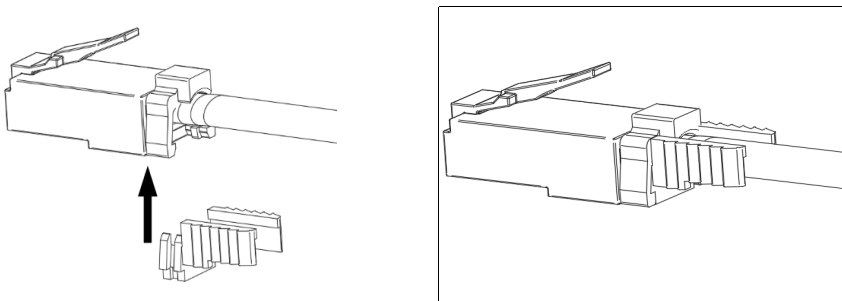


- Is the network cable sheath locked inside the RJ45 housing?
- If it is loose, you may need to apply a small amount of CA glue into the RJ45 housing, and onto the sheath to prevent it from slipping out of the RJ45 housing.
- For secure installation, the sheath must be firmly locked into the RJ45 housing.

In-use Cable Lock Installation

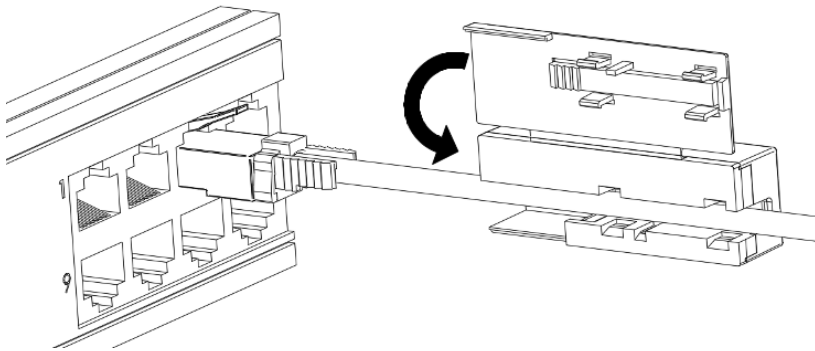


- Place the **upper cable lock** onto the network cable and into the rear of the RJ45 housing. *Depending on the style of housing, you may need to trim one or both of the tabs on the upper cable lock.*

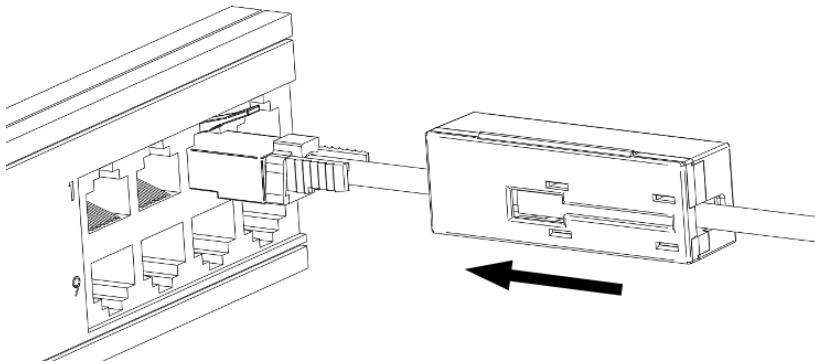


- Press the **lower cable lock** into the **upper cable lock** until it fully engages together.
- A dab of CA glue may be applied to the sheath and lock interface to fully secure the lock in place

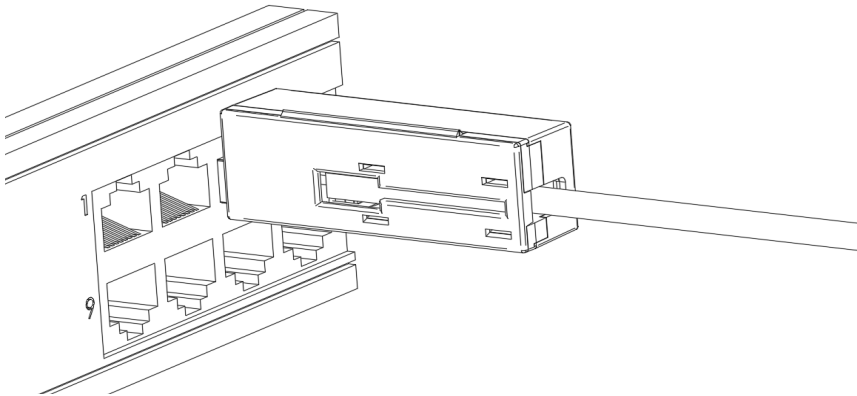
In-use Port EP-RJ45 Installation



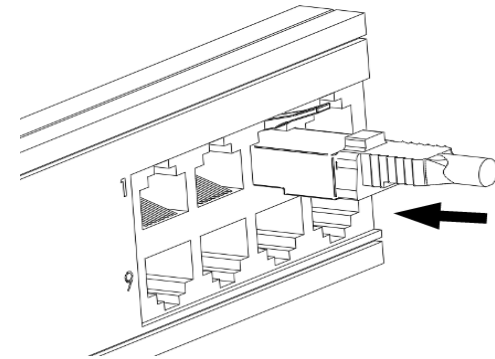
- Close the lid of the **EP-RJ45** around the in-use network cable.



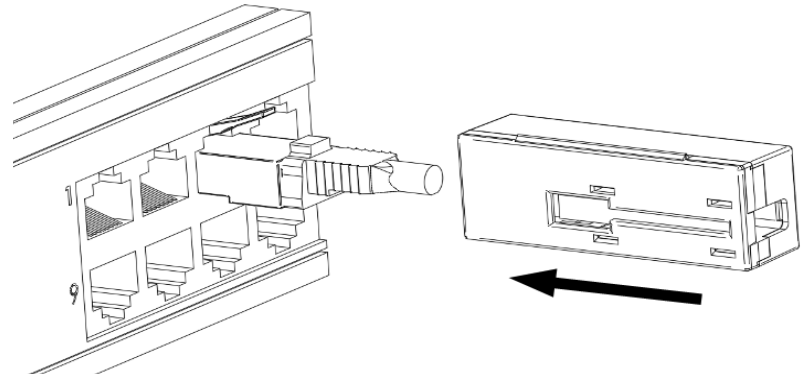
- Push the **EP-RJ45** device all the way forward towards the RJ45 port. You will hear a series of clicks as it locks on the the port.



Unused Port EP-RJ45 Installation



- Insert the **Unused port lock** into the RJ45 port.



- Close the lid of the **EP-RJ45** and install the **EP-RJ45** device onto the **Unused port lock**. You will hear a series of clicks as it locks onto the port.

