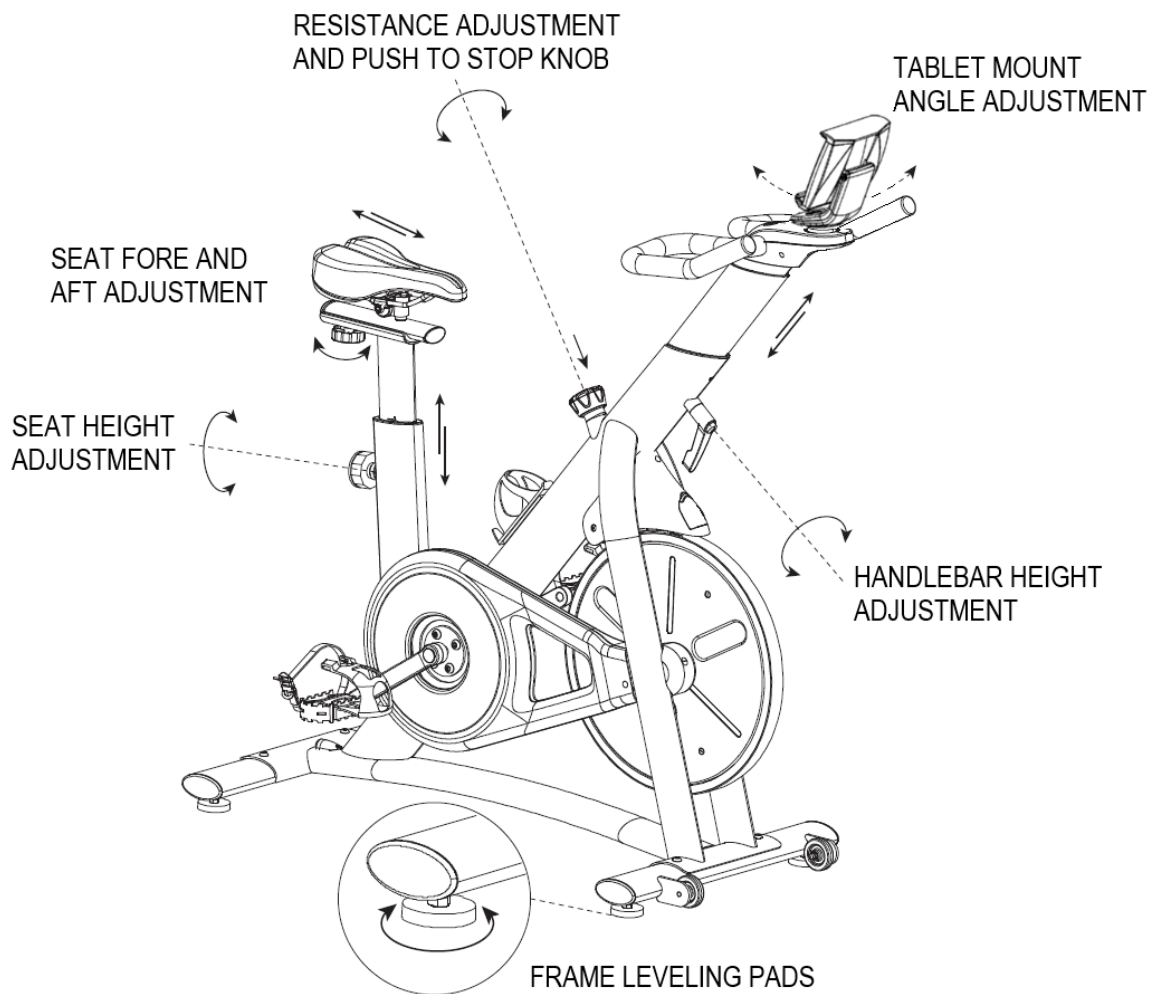
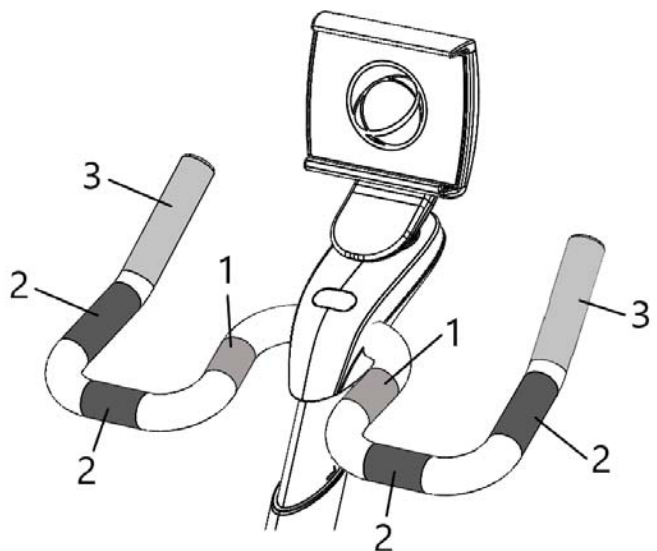


## ADJUSTMENT FEATURES



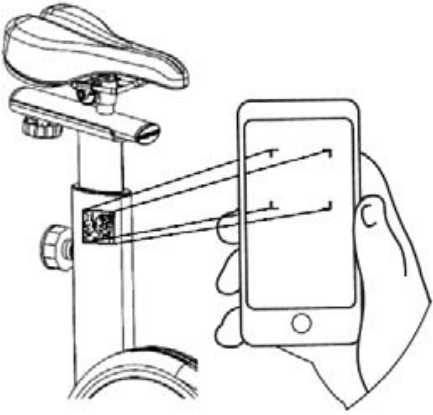
## HANDLEBAR HAND POSITIONS

- Seated Flat – Hand Position 1 or 2
- Seated Climb – Hand Position 2
- Standing Flat – Hand Position 2
- Standing Climb – Hand Position 3
- Jumps – Hand Position 2



## APP DOWNLOAD

Scan the QR code on the tablet mount and follow the directions on your device.



## REGULATORY INFORMATION

### Federal Communication Commission Interference Statement

This equipment has been tested and found to comply with the limits for a Class B digital device, pursuant to Part 15 of the FCC Rules. These limits are designed to provide reasonable protection against harmful interference in a residential installation. This equipment generates, uses and can radiate radio frequency energy and, if not installed and used in accordance with the instructions, may cause harmful interference to radio communications. However, there is no guarantee that interference will not occur in an individual installation. If this equipment does cause harmful interference to radio or television reception, which can be determined by turning the equipment off and on, the user is encouraged to try to correct the interference by one of the following measures:

- Reorient or relocate the receiving antenna.
- Increase the distance between the bike and the affected receiver.
- Consult the dealer or an experienced radio/TV technician for help. FCC Caution: To assure continued compliance, any changes or modifications not expressly approved by the party responsible for compliance could void the user's authority to operate this equipment.

### FCC Statement

This device complies with Part 15 of the FCC Rules. Operation is subject to the following two conditions: (1) this device may not cause harmful interference, and (2) this device must accept any interference received, including interference that may cause undesired operation.

### IC Statement

**This device contains licence-exempt transmitter(s)/receiver(s) that comply with Innovation, Science and Economic Development Canada's licence-exempt RSS(s). Operation is subject to the following two conditions:**

- 1. This device may not cause interference.**
- 2. This device must accept any interference, including interference that may cause undesired operation of the device.**

**L'émetteur/récepteur exempt de licence contenu dans le présent appareil est conforme aux CNR d'Innovation, Sciences et Développement économique Canada applicables aux appareils radio exempts de licence. L'exploitation est autorisée aux deux conditions suivantes :**

- 1. L'appareil ne doit pas produire de brouillage;**
- 2. L'appareil doit accepter tout brouillage radioélectrique subi, même si le brouillage est susceptible d'en compromettre le fonctionnement.**

### Hazardous Materials and Proper Disposal

The batteries within self-powered equipment contain materials considered hazardous to the environment. Federal law requires proper disposal.

### Product Recycling and Disposal

This equipment must be recycled or discarded per applicable local and national regulations. Product labels, in accordance with European Directive 2002/96/EC concerning waste electrical and electronic equipment (WEEE), determine the framework for the return and recycling of used equipment as applicable throughout the European Union. The WEEE label indicates that the product is not to be thrown away, but rather reclaimed upon end of life per this Directive. In accordance with the European WEEE Directive, electrical and electronic equipment (EEE) is to be collected separately and to be reused, recycled, or recovered at end of life. Users of EEE with the WEEE label per Annex IV of the WEEE Directive must not dispose of end of life EEE as unsorted municipal waste. Always use the collection framework available to customers for the return, recycling, and recovery of WEEE. Customer participation is important to minimize any potential effects of EEE on the environment and human health due to the potential presence of hazardous substances in EEE. For proper collection and treatment, contact Inspire Customer Support.

## WARRANTY

This Warranty applies to Inspire cardio products manufactured or distributed by Inspire Fitness.

### Inspire IC1.5 Warranty Periods

	RESIDENTIAL WARRANTY
FRAME Includes Main Frame and Welds	10 Years
PARTS Excluding Paint and Finish (unless defective out of box)	3 Years
LABOR	1 Year

Inspire Fitness warrants that the Product you have purchased for personal, family or household use from Health in Motion or from an authorized Inspire Fitness reseller is free from defects in materials or workmanship under normal use during the warranty period. Your sales receipt, showing the date of purchase of the Product, is your proof of the date of purchase. This warranty extends only to you, the original purchaser. It is not transferable to anyone who subsequently purchases the Product from you. It excludes expendable parts such as paint and finish. This Warranty becomes VALID ONLY if the Product is assembled / installed according to the instructions / directions included with the Product.

### Replacement and Repair of Parts

During the warranty period Inspire Fitness will, at no additional charge, repair or replace the Product if it becomes defective, malfunctions, or otherwise fails to conform with this Warranty under normal personal, family, or household use. In repairing the product Inspire Fitness may replace defective parts with, at the option of Inspire Fitness, serviceable used parts that are equivalent to new parts in performance, or new parts. All exchanged parts and Products replaced under this warranty will become the property of Inspire Fitness. Inspire Fitness reserves the right to change manufacturers and or specification of any part to cover any existing warranty.

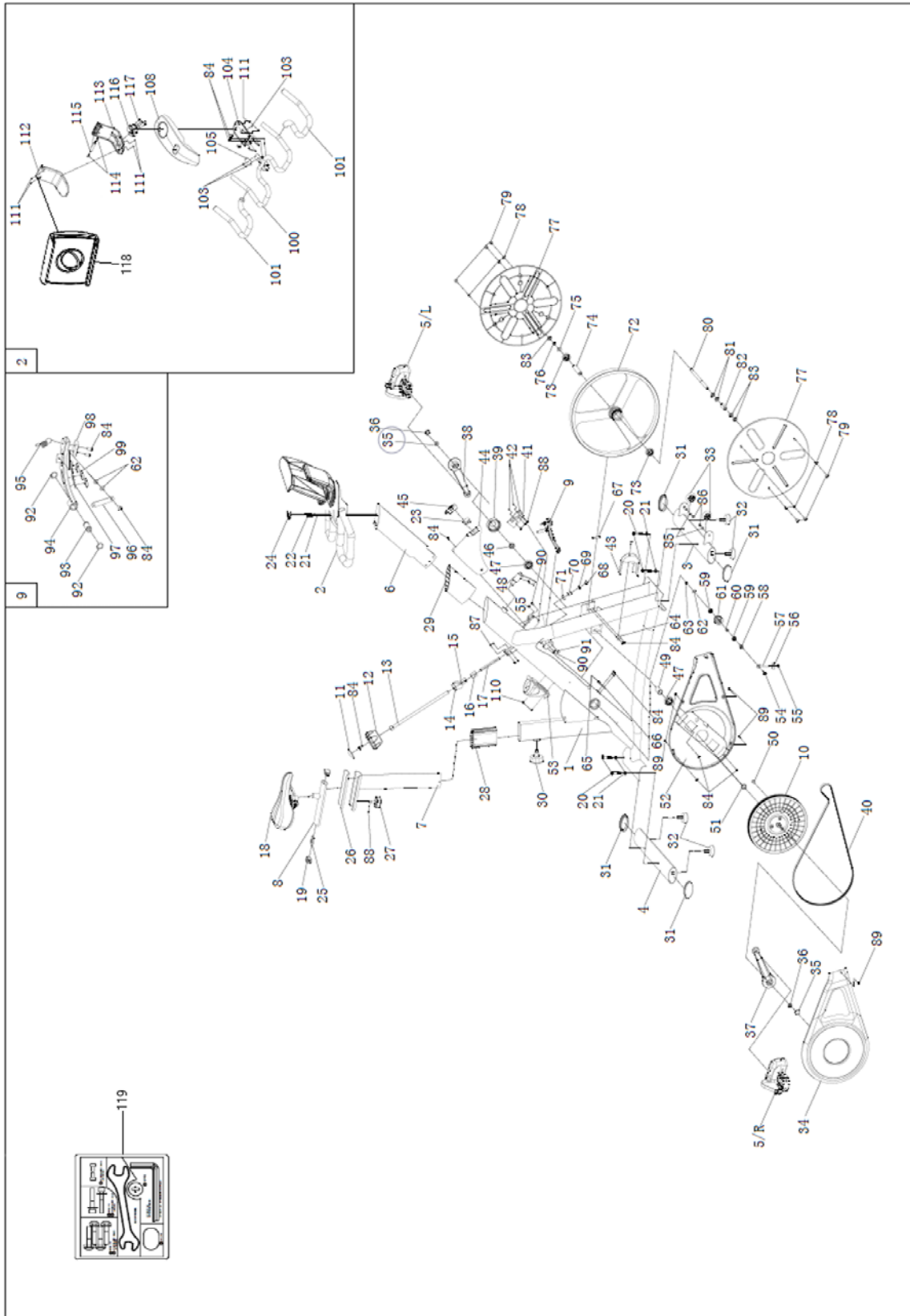
### Service Procedures

To obtain warranty parts, you must return the parts to Inspire Fitness or an authorized Inspire Fitness retailer in its original container (or equivalent). You must pre-pay any shipping charges, taxes, or any other charges associated with transportation of the Product. In addition, you are responsible for insuring any Product shipped or returned. You assume the risk of loss during shipment. You must present Inspire Fitness with proof-of-purchase documents (including the date of purchase, Model, and Serial Number). Any evidence of alteration, erasing or forgery of proof -of-purchase documents will be cause to void this Warranty. Register your warranty online visit [www.inspirefitness.com](http://www.inspirefitness.com).

### Conditions and Exceptions

This Warranty does not extend to any Product not purchased from Inspire Fitness or from an authorized Inspire Fitness reseller. This Warranty does not extend to any Product that has been damaged or rendered defective; (a) as a result of accident, misuse, or abuse; (b) by the use of parts not manufactured or sold by Inspire Fitness; (c) by modification of the Product; (d) as a result of service by anyone other than Inspire Fitness, or an authorized Inspire Fitness warranty service provider; (e) product that has not been properly maintained (follow maintenance schedule found on product). Should any product submitted for Warranty service be found to be ineligible, an estimate of repair cost will be furnished, and the repair will be made if requested by you upon Inspire Fitness receipt of payment or acceptable arrangement of payment.

# IC1.5 EXPLODED VIEW



## IC1.5 PARTS LIST

No.	SKU	Description	Qty.
1	BC423-200-010	main frame	1
2	BC423-320-006PZ	handlebar assembly	1
3	BC423-220-004	front stabilizer	1
4	BC423-220-003	rear stabilizer	1
5L/R	B465-340-001	crank pedal right and left	1
6	BC423-320-007	handlebar post	1
7	BC423-320-005	seat post support	1
8	BC423-320-004	seat post free rail	1
9	BC423-340-001PZ	magnet holder assembly	1
10	BC423-380-001	crankshaft assembly	1
11	BC423-881-026	resistance knob cover	1
12	BC423-881-025	resistance assembly dial	1
13	BC423-561-024	resistance assembly bolt	1
14	BC423-881-009A	decoration cover	1
15	BC423-881-010	square nut-top	1
16	BC423-881-011	square nut-bottom	1
17	BC423-561-019	sleeve	1
18	BC423-400-003	seat	1
19	BC423-881-012B	plug	2
20	0117-208-004	socket cap screw	2
21	0116-608-008	arc washer	6
22	0113-208-458A	hexagon socket button head screws	4
23	BC423-630-018/023	battery board(with button battery)	1
24	BC423-881-062	logo cover	1
25	BC423-321-009	adjustment plate	1
26	BC423-881-032A	slide plate	1
27	BC423-881-034A	adjustment knob	1
28	BC423-881-006A	tube sleeve	1
29	BC423-881-027A	tube sleeve	1
30	BC423-881-061	seat adjustment knob	1
31	BC423-881-014A	plug	4
32	BE920-881-011	rear foot pad	4
33	BC423-881-055A	transportation rollers	2
34	BC423-881-001	right shroud	1
35	BE480-881-005	cover	2
36	0110-410-592	flange nut	2
37	BC850-561-022	right crank	1
38	BC850-561-032	left crank	1
39	BC423-881-007A	bottom bracket cover	1
40	BC423-501-001	belt	1
41	BC423-630-017	PCB board	1
42	BC423-630-022	plastic washer	3
43	BC423-881-003	cover	1
44	BC423-881-004	PCB board cover -A	1
45	BC423-881-005B	PCB board cover -B	1
46	0110-720-101	nylon nut	1
47	0200-231-31C	bearing	2
48	BC423-881-035A	L knob	1
49	BC423-561-051	sleeve	1
50	BC423-561-027	magnet	1
51	BC423-561-055	space	1
52	BC423-881-002	left shroud	1
53	BC423-380-001A	water bottle holder	1
54	0110-708-028	nylon nut	1
55	0110-706-028	nylon nut	2
56	BC12-011-92A	U bracket	1
57	BC12-011-72B	tension bolt	1
58	BC423-561-011	axle	1
59	0171-600-03C	bearing	2

No.	SKU	Description	Qty.
60	BC423-561-031	press pulley sleeve	1
61	BC423-881-050	press pulley	1
62	0116-006-008	flat washer	3
63	0111-006-128A	hex bolt	1
64	BC423-321-010	fix plate	1
65	BC770-801-011	sensor holder	1
66	BC423-630-019/021	speed sensor with wire	1
67	BC423-881-008A	small cover	1
68	0110-308-008	acorn nut	1
69	0110-008-008	hex nut	1
70	BC423-561-028A	brake sleeve	1
71	BC423-561-018	square nut	1
72	BC423-561-012	flywheel with aluminum ring	1
73	0171-630-000	bearing	2
74	BC423-561-025	flywheel sleeve	1
75	0116-010-008	flat washer	1
76	0110-110-102	nut	1
77	BC423-881-022A	small cover -flywheel	2
78	0114-142-138	cross recessed pan head tapping screws	6
79	BC423-881-023A	rubber plug	6
80	BC423-561-013	flywheel shaft	1
81	0110-010-101A	hex nut-thin	2
82	BC423-881-047	flywheel	1
83	0110-010-158	hex nut-thin	3
84	0113-105-108A	cross recessed pan head screw	15
85	0116-005-03	flat washer	2
86	0110-305-008	acorn nut	2
87	0113-105-058	cross recessed pan head screw	4
88	0113-104-110	cross recessed pan head screw	4
89	0114-142-198	cross recessed pan head tapping screws	5
90	0113-105-158	cross recessed pan head screw	2
91	0113-206-458	hexagon socket button head screws	1
92	0117-112-08	spring ring	2
93	BC423-561-016	axle	1
94	BC423-340-001	magnet holder	1
95	BC423-561-014A	tension spring	1
96	BC423-321-016	sensor fixture	1
97	BC423-881-024A	magnet cradle	1
98	BC423-881-019A	brake pad	1
99	BC423-561-015	magnet	2
100	BC423-320-006	handlebar	1
101	BC423-861-004	dipping grip	2
103	0113-706-108	socket cap screw	3
104	BC423-881-031A	handlebar cover	1
105	BC423-321-015	plate	1
108	BC423-881-028	iPad holder base-top	1
110	0114-152-102	cross recessed pan head screws	2
111	0113-135-138	cross recessed pan head tapping screws	8
112	BC423-881-053B	iPad holder support-upper	1
113	BC423-881-054A	iPad holder support-bottom	1
114	0113-206-004	socket cap screw	2
115	BC423-561-029A	rotation rivet	1
116	BC423-881-052A	support base	1
117	0114-142-108A	cross recessed pan head tapping screws	4
118	BC423-880-057	iPad holder assembly	1
119	BC423-890-018	hardware pack	1

# RED Declaration of Conformity (DoC)

Unique identification of this DoC: .....

**We,**

Manufacturer's name: Health In Motion, LLC

Manufacturer's Address: 255 Airport Circle, Suite 101 Corona, California 92880, United States

.....  
**declare under our sole responsibility that the product:**

product name: SPIN BIKE

trade name:

type or model: IC1.5

relevant supplementary information:

(e.g. lot, batch or serial number, sources and numbers of items)

**to which this declaration relates is in conformity with the essential requirements and other relevant requirements of the RED Directive (2014/53/EU).**

**The product is in conformity with the following standards and/or other normative documents:**

HEALTH & SAFETY (Art. 3(1)(a)): EN 62479:2010;

EMC (Art. 3(1)(b)): EN 55014-1:2017; EN 55014-2:2015  
Draft ETSI EN 301 489-1 V2.2.0:2017;  
Draft ETSI EN 301 489-17 V3.2.0:2017;

SPECTRUM (Art. 3(2)): EN 300 328 V2.1.1:2016

OTHER (incl. Art. 3(3) and voluntary specs):

Other Union harmonization legislation (where applicable): N/A

Accessories:

Software: N/A

Technical file held by: Health In Motion, LLC

Place and date of issue (of this DoC): 2020/5/14

Signed by or for the manufacturer: .....

(Signature of authorised person)

Name (in print): .....

Title: .....