

FCC Statement

1. This device complies with Part 15 of the FCC Rules. Operation is subject to the following two conditions:

- (1) This device may not cause harmful interference.
- (2) This device must accept any interference received, including interference that may cause undesired operation.

NOTE: The grantee is not responsible for any changes or modifications not expressly approved by the party responsible for compliance. Such modifications could void the user's authority to operate the equipment.

NOTE: This equipment has been tested and found to comply with the limits for a Class B digital device, pursuant to part 15 of the FCC Rules. These limits are designed to provide reasonable protection against harmful interference in a residential installation.

This equipment generates, uses, and can radiate radio frequency energy and, if not installed and used in accordance with the instructions, may cause harmful interference to radio communications. However, there is no guarantee that interference will not occur in a particular installation. If this equipment does cause harmful interference to radio or television reception, which can be determined by turning the equipment off and on, the user is encouraged to try to correct the interference by one or more of the following measures:

- Reorient or relocate the receiving antenna
- Increase the separation between the equipment and receiver
- Connect the equipment into an outlet on a circuit different from that to which the receiver is connected
- Consult the dealer or an experienced radio/TV technician for help

RF Exposure Statement

This equipment complies with FCC radiation exposure limits set forth for an uncontrolled environment. This equipment should be installed and operated with minimum distance of 20 cm between the radiator and your body.

IC Statement

This device complies with Industry Canada licence-exempt RSS standard(s). Operation is subject to the following two conditions: (1) this device may not cause harmful interference, and (2) this device must accept any interference received, including interference that may cause undesired operation.

Le présent appareil est conforme aux CNR d'Industrie Canada applicables aux appareils radio exempts de licence. L'exploitation est autorisée aux deux conditions suivantes: (1) l'appareil ne doit pas produire de brouillage, et (2) l'utilisateur de l'appareil doit accepter tout brouillage radioélectrique subi, même si le brouillage est susceptible d'en compromettre le fonctionnement.

IC 20cm RF

This equipment complies with IC radiation exposure limits set forth for an uncontrolled environment. This equipment should be installed and operated with minimum distance of 20 cm between the radiator and your body.

Cet équipement est conforme aux limites d'exposition aux rayonnements de la IC établies pour un environnement non contrôlé. Cet équipement doit être installé et fonctionner à au moins 20 cm de distance d'un radiateur ou de votre corps.

CE Statement

Operating temperature: 25°C

Max RF power level: 24.38mW

WiFi (241 2-2472MHz): 13.87 dBm

RF exposure information: The EIRP power of the device at maximal case is below the exempt condition, 20mW specified in EN62311 : 2008. RF exposure assessment has been performed to prove that this unit will not generate the harmful EM emission above the reference level as specified in EC Council Recommendation (1999/519/EC).

Hereby, ABLELINK ELECTRONICS LTD., declares that the radio equipment type (Q-SVR-001) is in compliance with Directive 2014/53/EU.

The full text of the EU declaration of conformity is available at the following internet address: <http://quantumintegrate.com/legal>



Notice: This device may be used in each EU member state.
Ablelink Electronics Ltd.



Input: 100-240V~ 50/60Hz 0.5A Max
Output: 5V ---3A

1 Year limited warranty. Please visit <http://quantumintegrate.com/legal> for more details.

Quantum Integration and Quantum logo are registered trademarks of Quantum Integration, Inc. Copyright © 2020 Quantum Integration, Inc. All rights reserved.



QUANTUM™
INTEGRATION

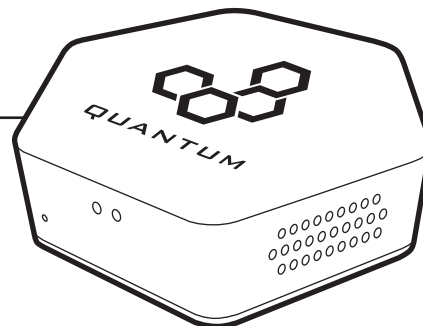


Scan the QR-code to get started

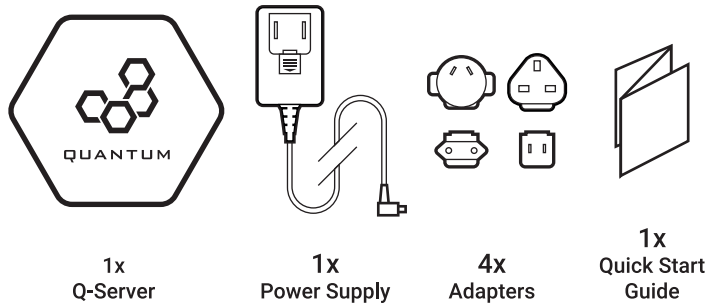
Q-Server CENTRAL CORE Q-SVR-001

Thank you for your purchase of the Quantum Integration Central Core IoT Platform (Q-Server). This device is designed to work with Q-Clients and Q-Proxies. For more information, please scan the QR-code or go to <http://quantumintegrate.com>

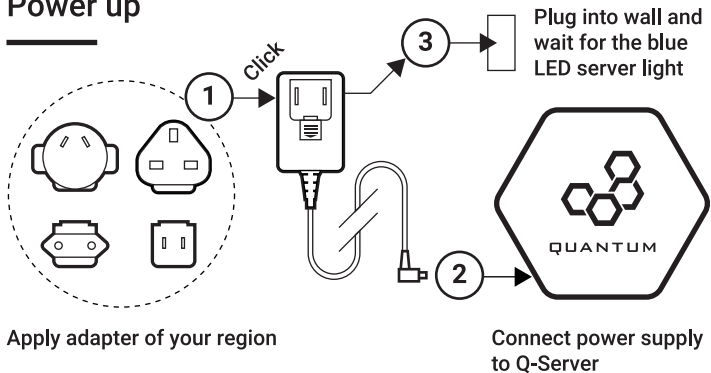
Quick Start Guide



Inside the box



Power up



Connect Q-Server and create account

- Connect power supply to Q-Server and wait for the blue light.
- Wait for a green status light with 1 blink to appear on your server, showing that Wi-Fi setup is running (this can take up to 5 minutes).
- In your device computer Wi-Fi settings, select the 'QuantumSetup' wireless network and wait for a successful connection.
- A Wi-Fi page should appear. If not, enter <http://192.168.42.1> in your browser URL field.
- You can now enter your preferred network name and password then click Continue. On the next screen click Connect and Save.
- Your server will reboot. Once it is connected to the network, the status light will change to amber with 2 blinks.
- Make sure your computer is connected to the internet, then go to <https://quantumintegrate.com/register> and follow the registration instructions.
- Click the link in your verification email to sign into your Quantum Cloud account, then login at <https://quantumintegrate.com/cloud>.
- Once the Quantum Cloud page shows your Q-Server as online, click the Open button to continue setting up your Q-Server with the 4-step process. Step 1 requires you to create a unique PIN code (we recommend copying this into the boxes provided below).
- The Quantum Q-Server home page will load. You're all set!

Enter your unique PIN code for easy reference:

Trouble shooting with the LED status lights

Status	Meaning
Blue - Solid	Server is powered
Green - Solid	Service is running normal
Green + 1 Blink	WiFi setup is running
Green + 2 Blinks	Server is starting up
Amber - Solid	Server is updating / rebooting
Amber + 1 Blink	Disconnected from internet / Quantum infrastructure not reachable
Amber + 2 Blinks	Server needs to be unlocked with pin code
Red - Solid	Server is resetting
Red + 1 Blinks	WiFi hardware cannot be found
Red + 2 Blinks	Bluetooth hardware cannot be found

Reset button: Press and hold for up to 5 seconds to reboot and for more than 10 seconds to factory reset.

About Unique PIN Code: In the event that you have lost your PIN code, access to the Q-Server and all data and settings will be lost. Factory reset by pressing the Reset button on the Q-Server. We recommend you copy your PIN code into the boxes provided (see overleaf).