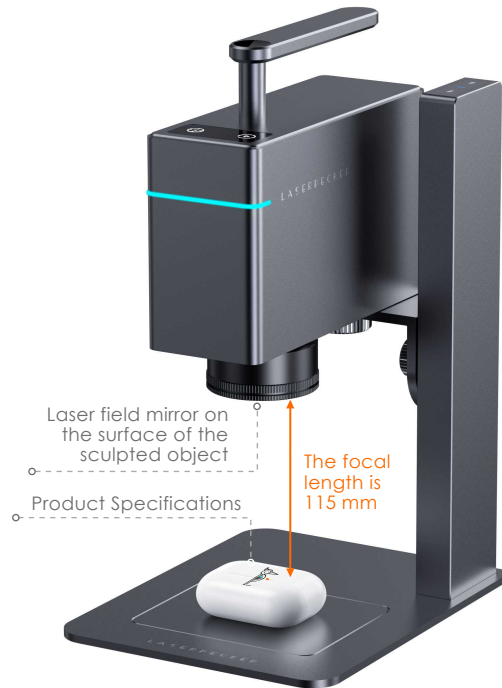




Laserpecker 3 Operating manual



Product Name: LaserPecker
Model: L3
Version Number: 2021-11A

Important notes Adjust the height of the lifting bracket so that the distance of the laser transmitting field lens is 115mm from the surface of the carved object. (The focal length of each machine will be slightly different, please refer to red light focal length for details)

Download APP

- 1 Search for [LaserPecker] in APP markets such as Huawei App Gallery, Google Play Store, and Apple App Store to download.
- 2 Scan below QR code to download LaserPecker APP.
- 3 Download the APP from our official website www.laserpecker.net.

Note: After installing the APP, please read the warnings and instructions in the APP carefully to ensure that the product is used correctly.



Scan QR code to
download APP

After-sales service

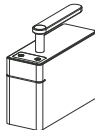
- We offer global online technical support for this product. If you encounter any problems during your use, please feel free to contact us and we will respond to you as soon as possible.
- Email address: Laserpecker@hingin.com
- Tel: +86 0755-28913864
- Wechat: Laserpecker002(Working days 9:30-19:00)

Contents

01. List of accessories
02. Button/indicator description
03. Quick Installation instructions
04. Bluetooth connection
05. Product Specifications
06. Safety Use Instructions
07. Precautions
08. Disclaimer
09. Warning
10. Warranty terms
11. Copyright Notice

01 / List of product accessories

Laser unite



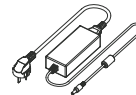
Field lens



Electric Stand



Power cord/power adapter



Goggles



USB cable



Wrenches and screws

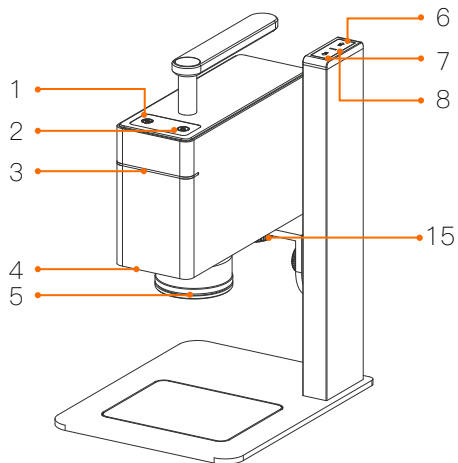


Ruler



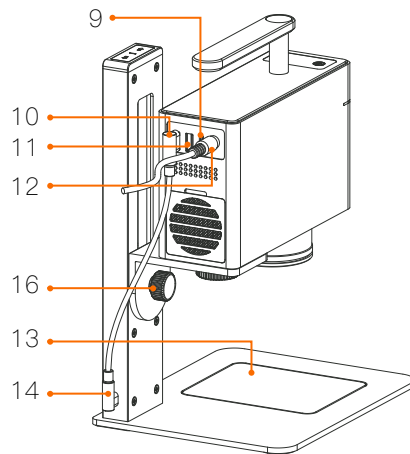
02/Buttons/ indicator instructions

- Indicator of laser unit/electric stand



1. Preview buttons
2. Click the Pause/Start button
Click the shutdown button three times in a row
3. Mainframe indicator
4. Red laser ranging finder
5. Field lens
6. Long press for continuous rise or short press for 1mm rise
7. Long press for continuous decrease or short press for 1mm decrease

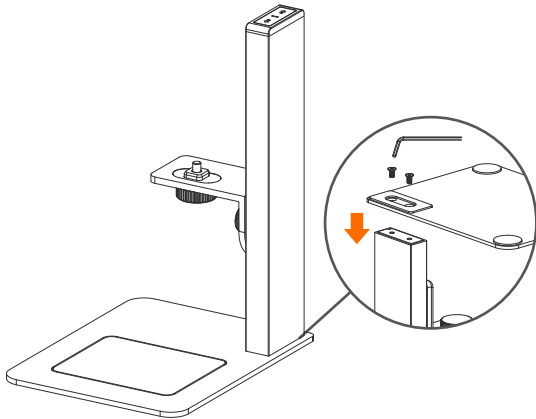
- Power ports



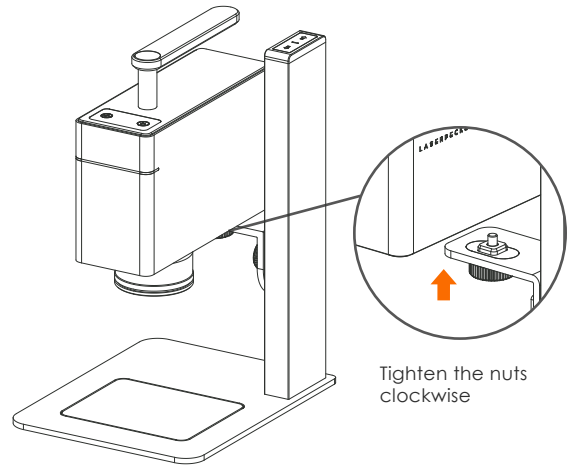
8. Electric support indicator light
9. Computer (PC software) connection interface
10. Power interface of electric bracket
11. Power interface of the third axis
12. DC power interface on the mainframe
13. Positioning plate and positioning screws
14. Power input interface of electric bracket
15. Hold-down nuts for the mainframe
16. Angle adjusting nut

03/Quick installation instructions - electric stand

1 Assemble the electric stand

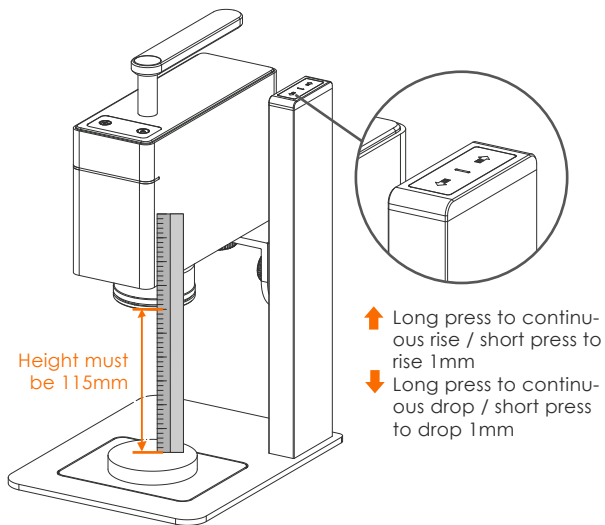


2 Lock the laser unit to electric stand, connect to power supply and prepare to adjust height.



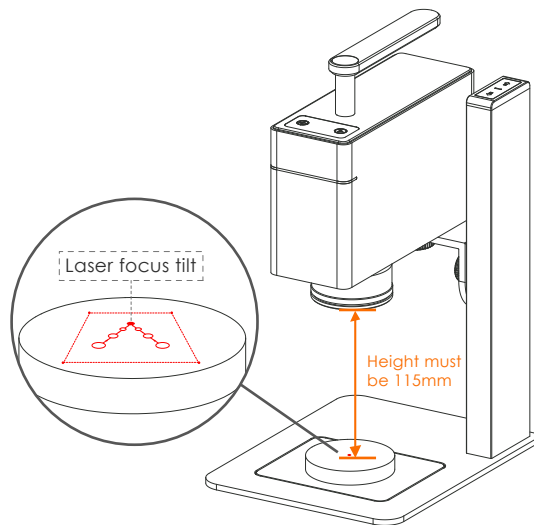
3-1 ranging method 1: Ruler ranging

Place the engraved object, adjust the height of stand, and measure it with a ruler, so that the bottom of machine is 110mm from engraving surface.



3-2 ranging method 2: Red light focus ranging

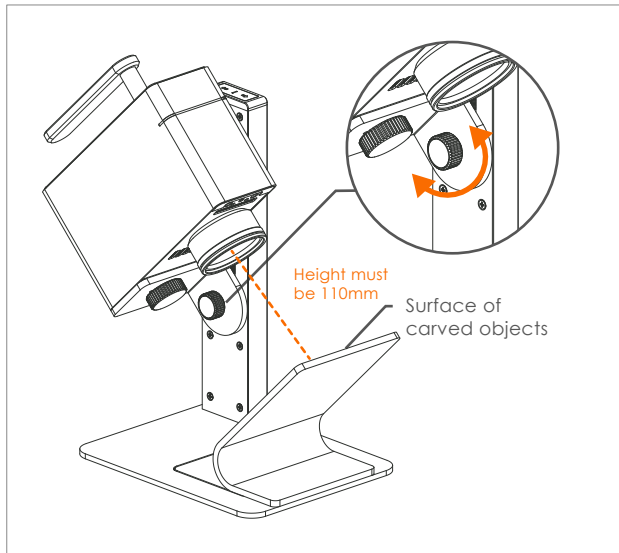
Place the carving objects, adjust the height of the electric bracket, and measure with a distance ruler to make the distance between the bottom of the field mirror and the object surface 115mm before starting carving.



03/Quick installation instructions

• Tilted engraving

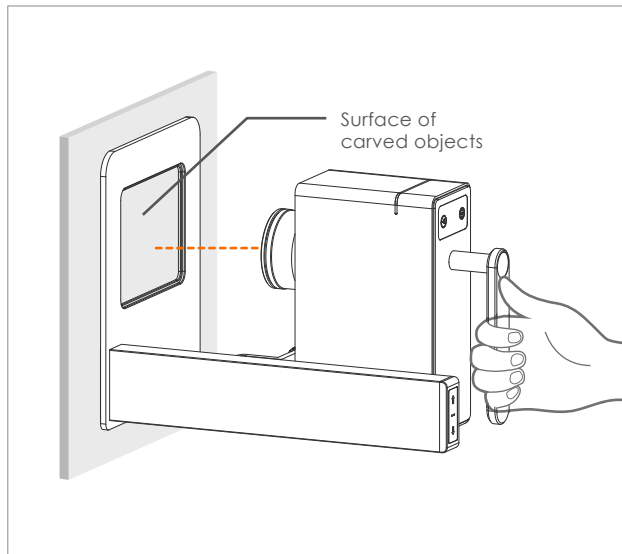
Loosen the Angle adjusting nut, adjust the main engine to a proper Angle, and then tighten the Angle adjusting nut to fix the main engine for inclined engraving.



03/Quick installation instructions

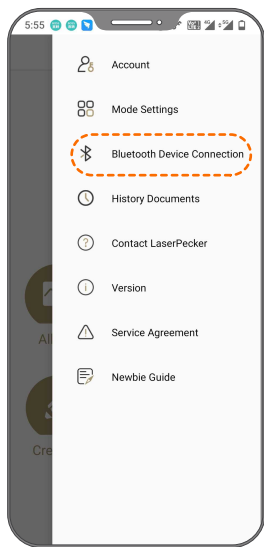
• Handheld engraving

Hold the handle of the machine directly and aim at the surface of the object to be sculpted
Carved surface · Shiny blue: Device waiting for Bluetooth connection.

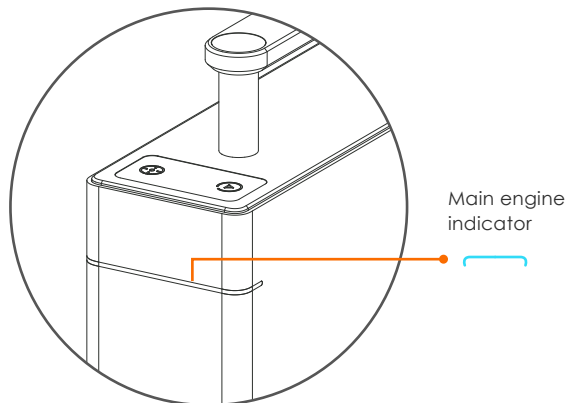


04/蓝牙连接

- 1 Open APP after the device is ready, and search for Bluetooth device.



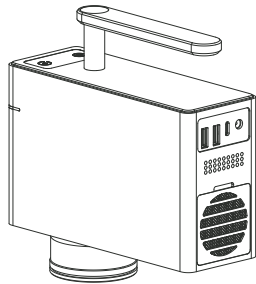
- 2
- Shiny blue: Device waiting for Bluetooth connection
 - Steady blue: Bluetooth is connected
 - Water lamp: data transmission
 - Color gradient light: carving in progress



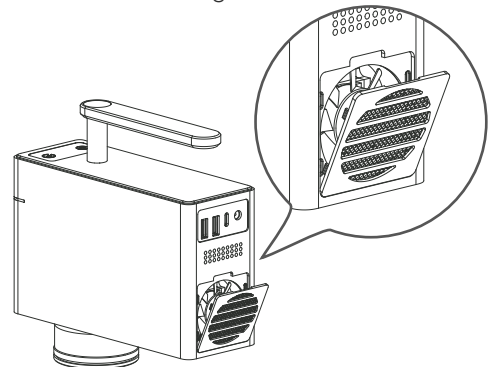
Supplementary instruction: **Machine Maintenance**

- The dust filter on the machine back can be removed for cleaning

Normal state



Removed for cleaning



05/Product specification

Size	Laser Unit: 162.5*60*122mm Electric stand: 194*153.5*236mm
Weight	Host: 1596G Support: 942G Total weight: 2538G
Laser source	1064nm NICHIA
Laser source output power	1000mW
Appearance	Anodic oxidation of aluminum alloy
Document transmission	USB cable and Bluetooth wireless transmission
Support document format	BMP/ JPG/ PNG/ SVG/ G-code
APP Connection Mode	Bluetooth connection, USB connection
APP operating system	Support iOS 9.0+, Android 6.0+, MacOS 10+, Windows 10+
Power input	DC(12V,5A),AC(100-240V,50-60Hz)
Operating temperature range	0°C-65°C
Operating humidity range	5%~80% (Non-zero frost)
Safety certification	EC 60825-1 (Laser Level I safety specification), CE, ROHS, FCC, FDA, CDRH registration IEC 60825-1 (Laser Level IV), NCC, KC, UKCA, TECLEC
Patent application	Seven patents

06/Use safety guide

- Before starting the installation of LaserPecker 3, please first check that the equipment is intact and the laser mirror is clean.
- Installation specifications: Before operating LaserPecker 3, please secure the host referring to the Operation Manual (use the accessories with fixing function (protective cover, electric support and third shaft) to support the objects) to avoid falling due to unstable placement.
- Please power the equipment with the power and type (adapter with 12V5A) as indicated in the operation manual.
- Before starting the laser carving, please make sure to take safety protection measures, such as adding protective covers, wearing goggles to prevent eye or skin injury, removing irrelevant items to prevent unnecessary damage caused by laser irradiation, and especially removing flammable and explosive items to prevent fire.
- After starting the laser carving, do not move the equipment, so as not to cause the equipment to stop working due to self-protection, or even affect the final effect of the carving work because the carving objects are removed.
- To move the equipment or carved objects, please operate before the carving or after the carving is done. Do not move the equipment or items during the laser work.
- Because of the risks of laser, do not bring minors, children, and people with close to the equipment at work.
- Before carving objects using this product, please check that the carved object will not release toxic or harmful gas during the laser burning process to avoid poisoning accidents.
- If odor or smoke is found during the carving, please use the fan to blow away or place it in a spacious and ventilated place.
- Before carving objects using this product, review whether the carved objects have total reflection or diffuse properties. Special attention should be paid to the safety protection of such objects (it is suggested to carving after blackening the carved area with the whiteboard pen).
- Do not use LaserPecker 3 to directly illuminate the human body or pet skin and eyes, so as not to cause irreversible damage.
- Due to the limited power of LaserPecker2 laser components, it cannot carve metal, glass and other hard materials directly (some materials can be carved after blackening with a whiteboard pen or processing by heat transfer layer and heat transfer paper).

07/Precautions

- Please carefully read the [Use Safety Guide] and keep in mind for standard operation.
- This product does not contain any user-replaceable components. Do not attempt to remove LaserPecker or exclude the problem by yourself, regardless of the scenario.
- The working LaserPecker will emit laser. The beam is at risk of burns to the human skin; The damage is extremely serious for the eye parts of the human body or animal (pet). In addition, the screen damage to mobile phones and Pads is also extremely serious. The proper use and maintenance of this product are very important for the safe operation of this product. Please strictly follow the instructions in this manual for the operation and maintenance specifications of this product.
- Be sure to wear protective goggles throughout the operation of LaserPecker 3.
- Due to the specific nature of the laser module used in LaserPecker3, it is impossible to effectively engrave on wood and bamboo surfaces, Thus, when it is used for this type of materials, the desired engraving effect may not be achieved.

08/Disclaimer

Thank you for purchasing LaserPecker 3. What mentioned in this article refers to your security and legal interests and responsibilities. Before using this product, please carefully read this article to ensure the correct setting of the product. Failure to operate following the instructions and warnings described herein may cause injury to you and people around or cause damage to LaserPecker 3 or other surrounding items. Operating this product means that you have carefully read the disclaimer and warning information, understood, recognized and accepted all terms and contents of this statement. You promise to be fully responsible for the use of the product and possible consequences. You commit to use this product only for a normal purpose, and agree to this clause and any relevant regulations, policies and guidelines developed by Hingin. LaserPecker 3 is not liable for damage, injury, and any legal liability arising from the direct or indirect use of the product. Users shall follow all safety guidelines referred to herein.

09/Use safety guide

- Before operating LaserPecker 3 equipment, please carefully read the operation contents and strictly observe the operating procedures.
- This equipment uses four types of lasers (intense laser radiation), which may cause the following accidents: 1) Light up the surrounding flammable materials; 2) During the laser operation, other radiation, harmful gases, toxic gases or smelly gases may be produced due to different laser radiation objects; 3) Direct exposure to laser emission may hurt human body. Therefore, the operator must keep a distance from the equipment, and wear protective equipment (such as goggles, protective covers, protective clothing or firefighting equipment, etc.). It is strictly prohibited to pile up flammable and explosive items around the workbench and equipment. The working environment must be kept well ventilated.
- There may be risks during the laser working process. The users should carefully consider whether the material of the carved object is suitable for laser operation.
- The working voltage of the equipment is 12V5A. It should be powered using the adapter of suitable specification. Operation during overload or voltage instability is strictly prohibited. Under the premise that the power supply (such as the patch board) used by the power plug of this product does not work effectively, the power supply cannot be connected, otherwise there will be a dangerous risk of electric shock.
- This product is internally equipped with precise and dangerous laser source components. The equipment is strictly prohibited to work near appliances with strong electromagnetic interference because this may cause electromagnetic interference. When the laser source is turned on, there will be laser emitted at the speed of light. The user must avoid direct exposure to the laser beam.
- It's strictly prohibited to place any irrelevant object of total reflection or diffuse reflection in the equipment, in case the laser may be reflected to human body or inflammables.
- Before carving objects using this product, please ensure that the emissions resulting from laser exposure to the carved objects meet the local laws and regulations.

10/Warranty terms

- To the extent permitted by law, this warranty is exclusive and supersedes all other express or implied or legal warranty conditions (including in any case for a particular purpose, provided by the statute or any other circumstance), including, but not limited to, any liability derived the commodity suitable for a particular use. In addition, Hingin will not be responsible for any unexpected, special, indirect, or derivative damage (it may originate from use, misuse, nonuse, or product defects).
- When consumers apply for warranty service, they have the obligation to back up all the important data in advance. The data will disappear during the maintenance process, such as the replacement of parts or the updated product software version, and Hingin will not provide data backup or the complete data and set value.
- The product is entitled to free shipping and free maintenance warranty within 15 days of the shipping date. Express fee will be paid after 15 days in the warranty period.
- For any products following the replacement or maintenance, Hingin will give a longer warranty of the remaining warranty period of the original product or the 30-day warranty following the replacement.
- When consumers apply Hingin for warranty services for the products sold in non-Chinese mainland areas, due to the laws and regulations, safety regulations, tariffs, maintenance technology and parts inventory, parts sold in countries and regions cannot be sent back to Hingin for warranty services, for which Hingin can only provide limited warranty services. Therefore, consumers not in mainland China, whether they are within the warranty scope, need to seek warranty services through the path authorized by the original country, and will charge the inspection and labor processing fees. If the country for the recipient levies additional tariff, it will be borne by the consumer itself; Consumers who apply for warranty service directly to Hingin may take the similar measures.
- Distributors may sell Hingin products to consumers in non-Chinese mainland areas. If they provide value-added services different from this warranty, the services are valid only for the area sold by distributors and unrelated to this warranty service.
- Processing quality is highly related to user operation, processing material and processing environment, not within the warranty scope.

1 1 /Copyright

- The copyright of this manual is the right of the software and hardware involved in the product, which belongs to Shenzhen Hingin Co., Ltd. (hereinafter referred to as "Hingin"). LaserPecker is the registered trademark of Hingin.
- The information in this manual may be changed without notice; The information in this manual does not constitute a commitment of the Company. Please learn about the latest update from <https://www.laserpecker.net>.
- The contents of this manual shall not be rewritten or forwarded in any form or for any purpose without the written permission of the Company.

Shenzhen Hingin Co., Ltd.

We support global online technical support services for this product. If you have any problems during your use, please contact us.

Email: support@laserpecker.com | Tel: +86 0755-28913864

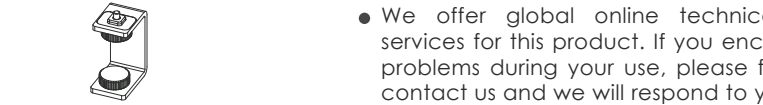
LASERPECKER
Laserpecker 2 Expansionsachse
 Gebrauchsanweisung



Product Name: LaserPecker
 Model: L2 Special Expansion Addon
 Version number: 2021-7A

01 /Accessories list

Third axis addon Mounting bracket

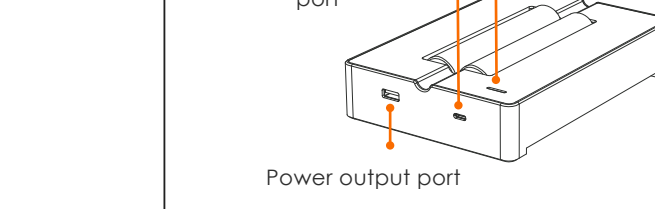


Secondary slider of third axis addon USB-C cable

Silicone bands

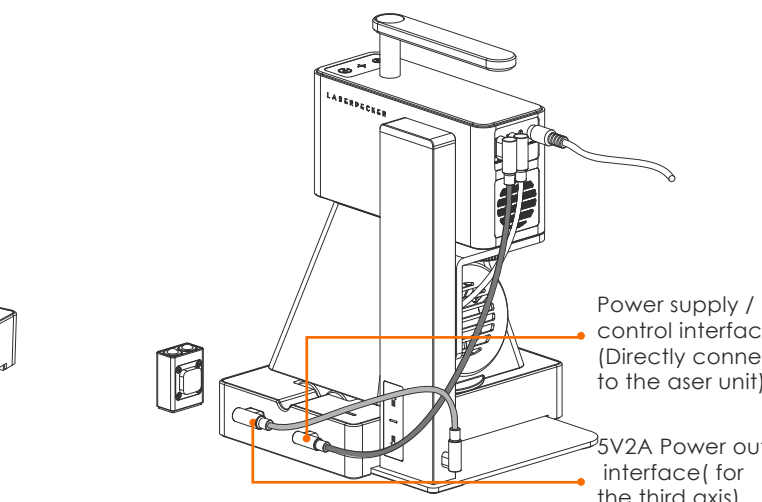
After-sales service

- We offer global online technical support services for this product. If you encounter any problems during your use, please feel free to contact us and we will respond to you as soon as possible.
- Facebook : LaserPecker 2
- Email : support@laserpecker.com
- Tel.: +86 0755-28913864

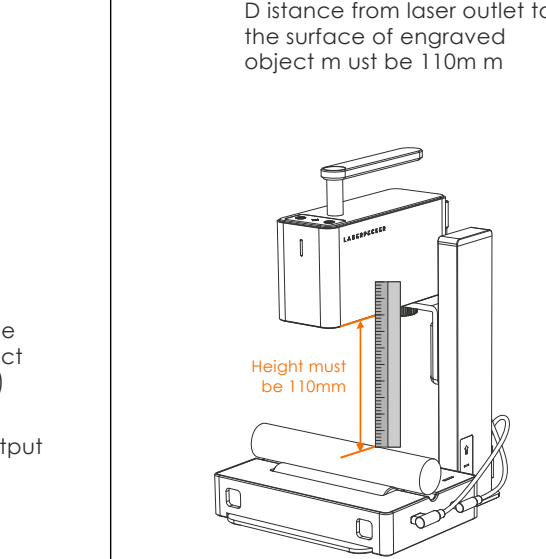


02 /indicator and interface instructions

- **Interface and indicator**
- **Connection Diagram**

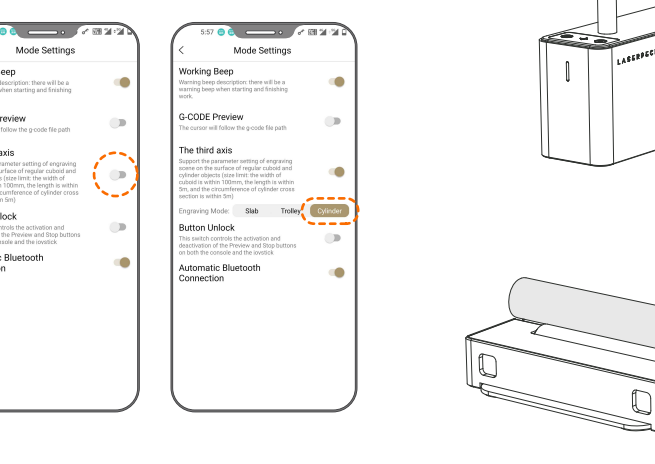
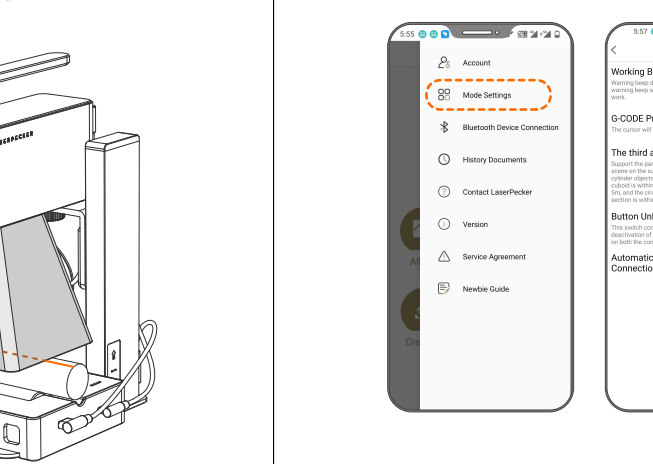
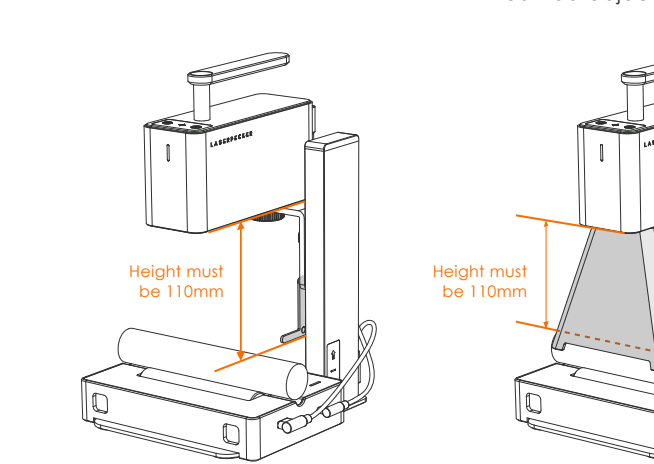


- **Ruler ranging**
- **Ranging by ranging rod**
- **Ranging by protective cover**



03 /ranging method

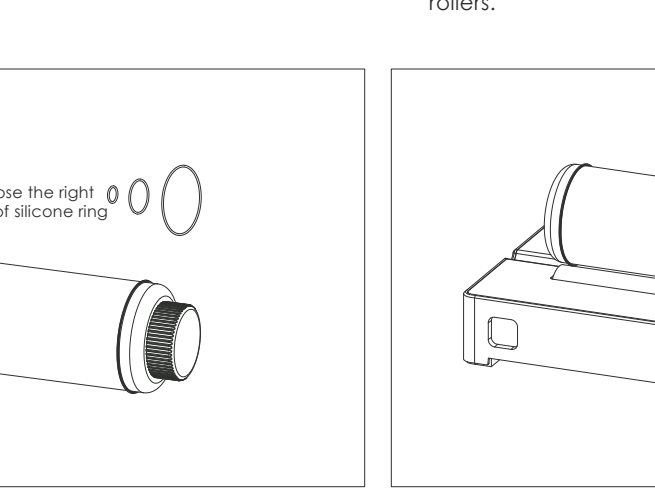
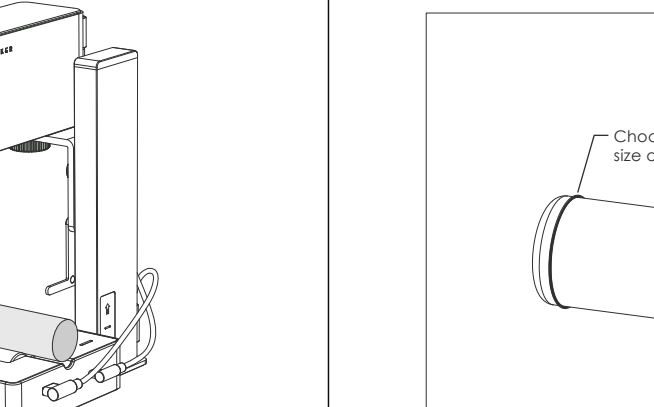
- **Ruler ranging**
 Distance from laser outlet to the surface of engraved object must be 110mm
- **Ranging by ranging rod**
 The bottom edge of rod contacts the surface of engraved object.
- **Ranging by protective cover**
 Adjust the height so that the bottom edge of protective cover just touches the surface of the carved object.



04 /Engraving mode- cylinder mode

This mode is used to rotate carved cylindrical objects. Select [cylinder] mode in APP, set the correct distance 110mm ,preview engraving position , set proper power/depth and engraving size, then ready to engrave.

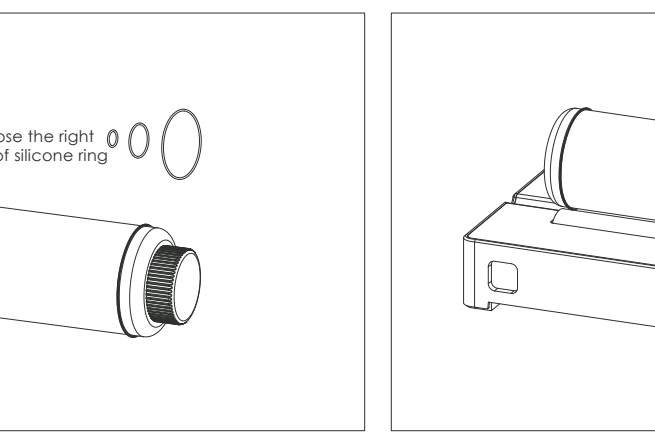
- 1 Mode selection
- 2 Open the third shaft
- 3 Select the cylinder mode



Engraving smooth objects

In [cylinder] mode, if the cylindrical object surface is too smooth, Engraving with silicone rings.

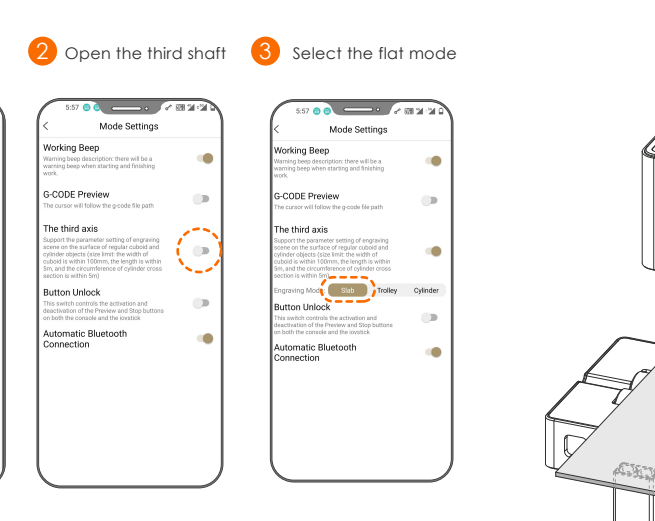
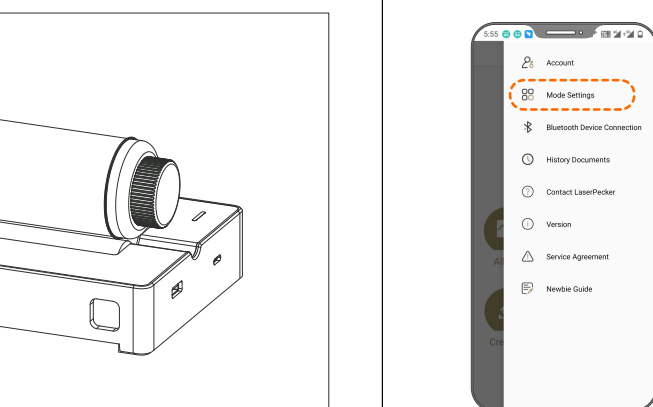
- 1 Put two silicone rings on both ends of the object.
- 2 They prevent the object from skidding on the metal rollers.



05 /Engraving mode - Slab mode

This mode is used to engrave small and flat objects. Select slab mode in APP, set the correct distance 110mm ,preview engraving position , set proper power/depth and engraving size, then ready to engrave.

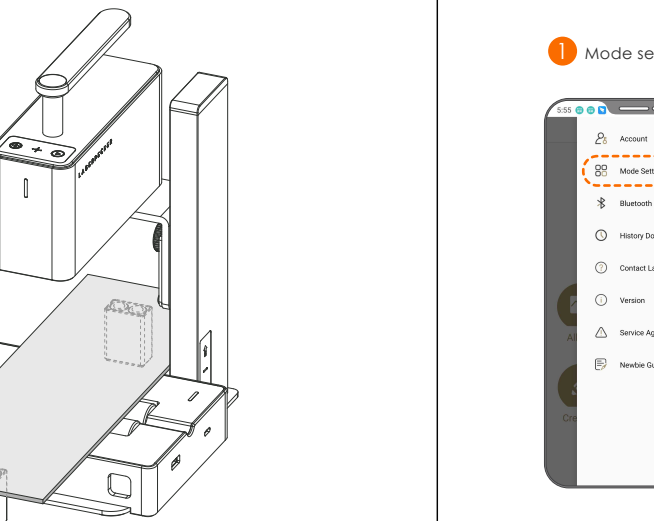
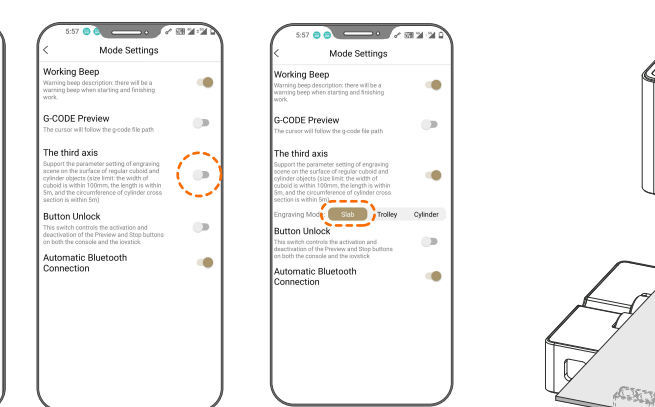
- 1 Mode selection
- 2 Open the third shaft
- 3 Select the flat mode



06 /Carving mode - trolley mode

This mode is used to engrave on large and flat objects. Select [trolley] mode in APP, set the correct distance 110mm ,preview engraving position , set proper power/depth and engraving size, then ready to engrave.

- 1 Mode selection
- 2 Open the third shaft
- 3 Select the trolley mode



FCC Warning

This device complies with part 15 of the FCC Rules. Operation is subject to the following two conditions: (1) This device may not cause harmful interference, and (2) this device must accept any interference received, including interference that may cause undesired operation.

Any Changes or modifications not expressly approved by the party responsible for compliance could void the user's authority to operate the equipment.

Note: This equipment has been tested and found to comply with the limits for a Class B digital device, pursuant to part 15 of the FCC Rules. These limits are designed to provide reasonable protection against harmful interference in a residential installation. This equipment generates uses and can radiate radio frequency energy and, if not installed and used in accordance with the instructions, may cause harmful interference to radio communications. However, there is no guarantee that interference will not occur in a particular installation. If this equipment does cause harmful interference to radio or television reception, which can be determined by turning the equipment off and on, the user is encouraged to try to correct the interference by one or more of the following measures:

- Reorient or relocate the receiving antenna.
- Increase the separation between the equipment and receiver.
- Connect the equipment into an outlet on a circuit different from that to which the receiver is connected.
- Consult the dealer or an experienced radio/TV technician for help.

This equipment complies with FCC radiation exposure limits set forth for an uncontrolled environment. This equipment should be installed and operated with minimum distance 20cm between the radiator & your body.