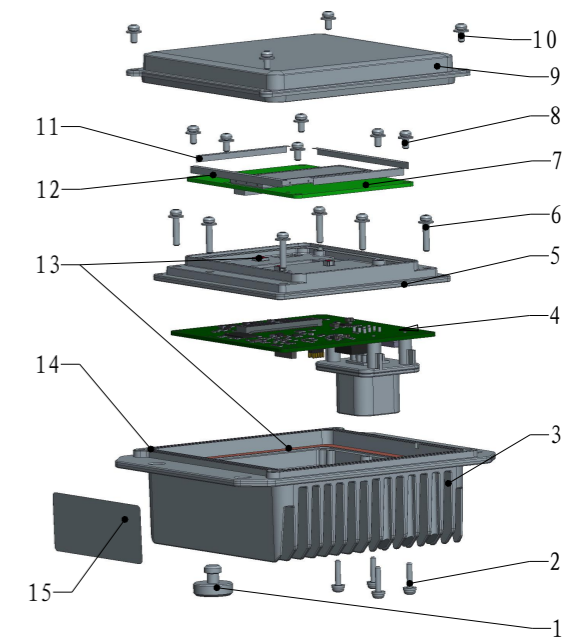
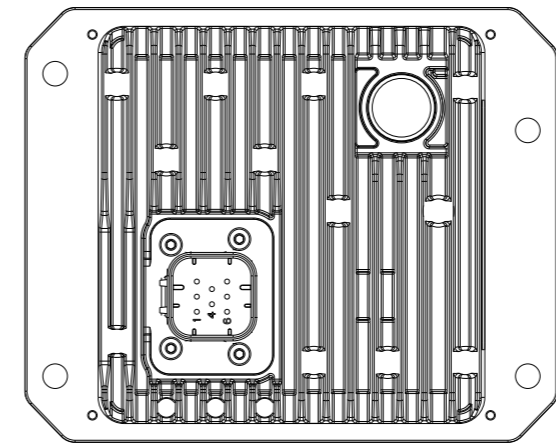
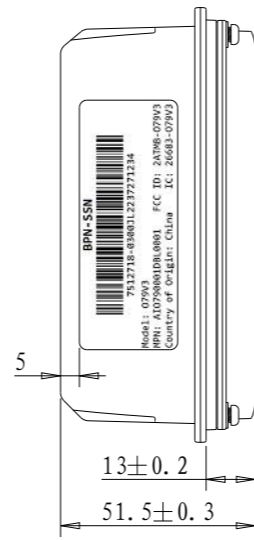
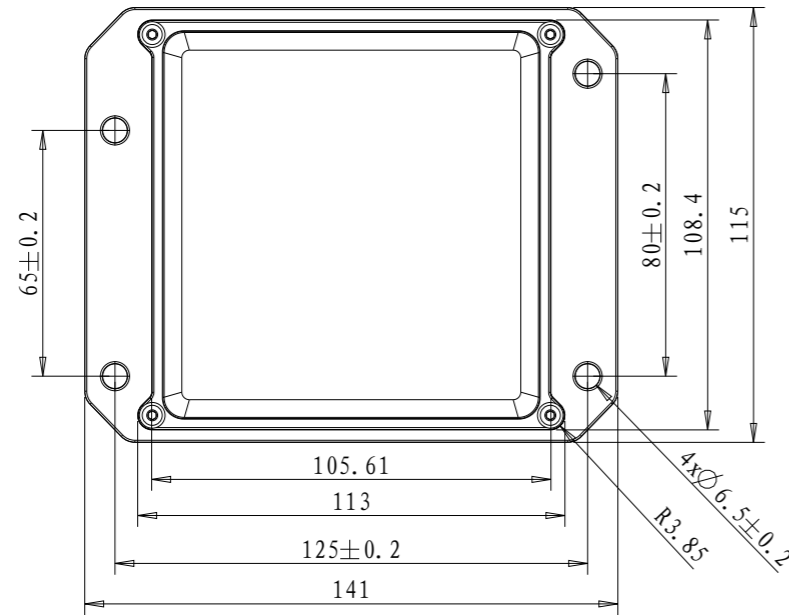


000-εΛ6L0

↑ TOP



0-10	10-16	16-25	25-40	40-63	63-100	100-160	160-250
0.18	0.2	0.22	0.24	0.26	0.28	0.3	0.34

Number	Parameter	Min	Typ	Max
1	Supply Voltage (V)	8	13	26
2	Supply Current (A)		0.6	2
3	Radar Frequency (GHz)	76		81
4	Operating Temperature (°C)	-40		65
5	Storage Temperature (°C)	-40		85
6	Communication Interface	CAN BUS		
7	Protection Grade	IP67/IP69K		

Number	functional definition
1	DC-IN
2	GND-IN
3	CAN-H
4	CAN-L
5	NC
6	NC
7	NC
8	NC

Connector part TE/1-776276-1. PCB mount, fully shrouded, sealable, 8 pin, gold contacts.

Number	Code	Name	Quantity	Material	Single piece	Total	Notes
15	079V3-008	079V3- Product Label	1	Adhesive label			
14	212001000001	sealant Dow Corning 7091					
13	212002000011	Tputty607 thermal conductive gel					
12	079V3-007	079V3-RF board copper foil tape 2	2	Copper			
11	079V3-006	079V3-RF board copper foil tape 1	2	Copper			
10	206009000002	M3x8 pan head hex socket triple combination screw (black)	4	316			ELECTROPHORESIS BLACK
9	079V3-005	079V3- Radome	1	PBT-GF30			
8	206009000004	M3x6 pan head hex socket triple combination screw	6	304			
7	079V3-004	079V3 RF Board PCBA V3.3.0	1				
6	206009000003	M3x14 pan head hex socket triple combination screw	6	304			
5	079V3-003	079V3- RF board fixing plate	1	YL102			
4	079V3-002	079V3- Digital Board PCBA V3.4.3	1				
3	079V3-001	079V3- Bottom shell	1	YL102			
2	206009000006	ST2.6X12-PC (with flat washer) pan head hexagonal flat tail self tapping screw (black)	4	316			ELECTROPHORESIS BLACK
1	AMF300114	Breathing valve	1				

Technical requirement

- Unspecified dimensions refer to 3D data;
- Unmarked dimensional tolerances shall comply with the requirements of GB/T 6414-DCTG3;
- The appearance is smooth and flat, the wall thickness is uniform, and there are no defects such as burrs, cracks, etc; Product color to match Radome: BASF BK15045 (Black);
- Product production testing steps are provided in the document "Assembly Operation Instructions. pdf";
- Prohibited substances meet the limit requirements of GB/T-30512、EU 2016/774 and Bobcat standard PR-CH;
- Installation requirements: Please review product user guide for installation restrictions;
- Product label meets Bobcat requirements in PS-103 type B1;
- Firmware installed on 079V3-002 Digital board during PCBA testing: BOOT\_rf3p0-dig3p0-vTBD.bin, BOOT\_recovery-dig3p0-vTBD.bin.

Part Numbers		Unit: mm	Stage markers	Weight	Proportion	Ainstein AI, Inc.
MPN	A10790001DBL0001					
BPN	7512718			1:2		079 Imaging Radar
Designed by	唐甲超	Checked By	齐文涛	page 1 of 1		
Checked By	齐文涛	Checked By	李忠斌			
Checked By	刘浩	Approved By	Eric Shumaker			

VERSION  
V1.0