

Shenzhen HX Antenna Co., LTD

SPECIFICATION FOR APPROVAL

corporate name: _____

Product Name: Metal antenna

Item number: HX-TH915-3518-YSWL

Customer part number: _____

specifications: see specification

date : 2023-08-02

Customer signature back:

Engineering department	quality	ratify

Shenzhen HX Antenna Co., LTD:

Engineering	quality	ratify
庄伟峰	张欢	刘卢

一: antenna parameters

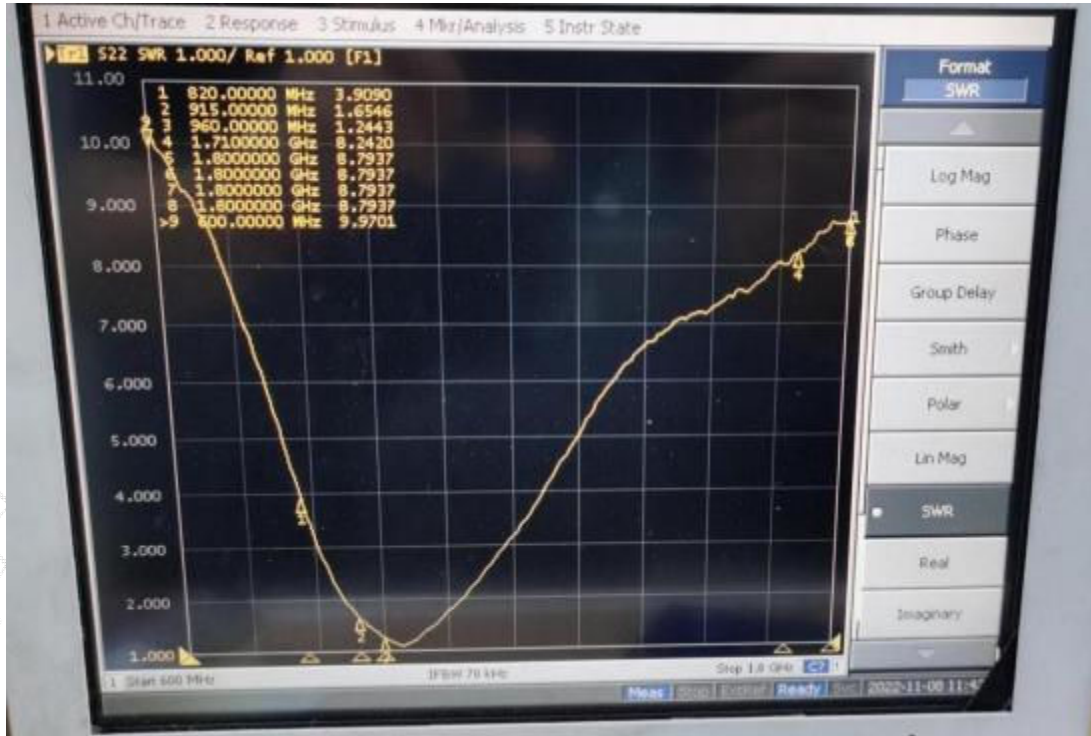
antenna parameters	Typical	Units
antenna form	Spring Antenna	
working Frequency	915	MHZ
Gain	-0.5	DBi
Antenna efficiency	35~80	%
VSWR	<1.8	
Ploriaztion	Vertical polarization	
Radiation pattern	Omnidirectional	
mpedance	50	ohm
Power handling	33	dbm
Interface		
Overall dimensions	37*17	mm
Weight		
Operatin Temp	-30-70	°C
Storing Temp	-30-70	°C

二: Antenna physical image

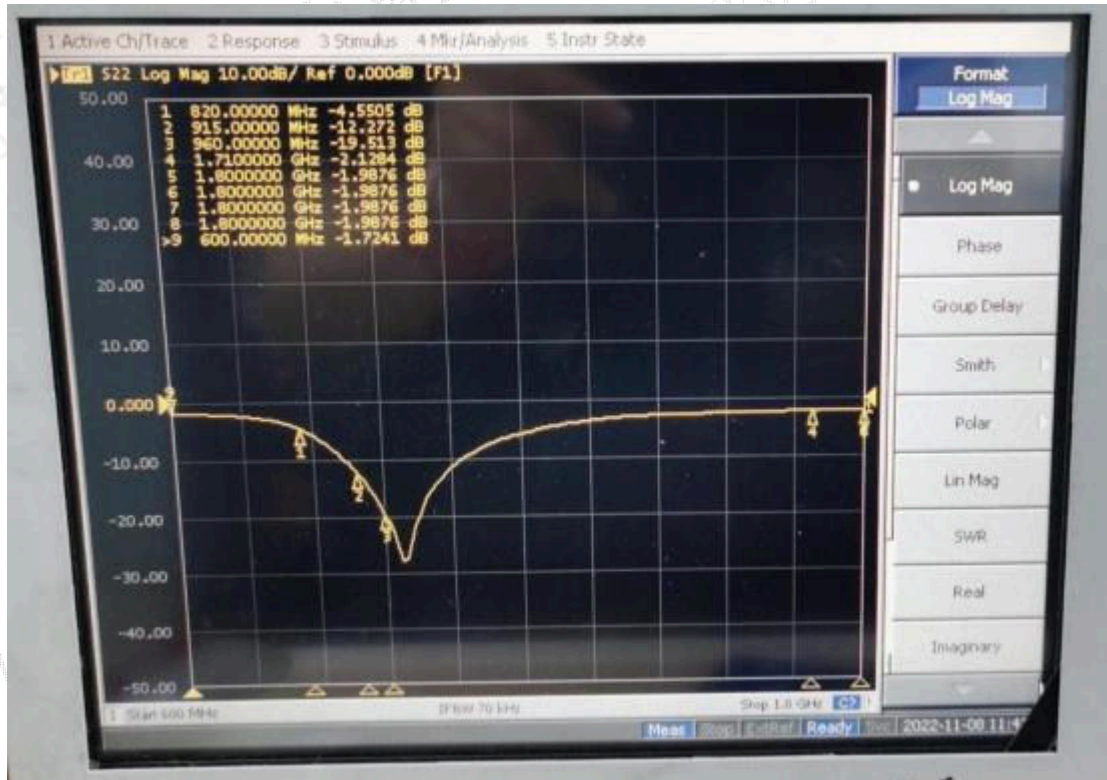


三、VSWR/Return Loss/Smith Chart

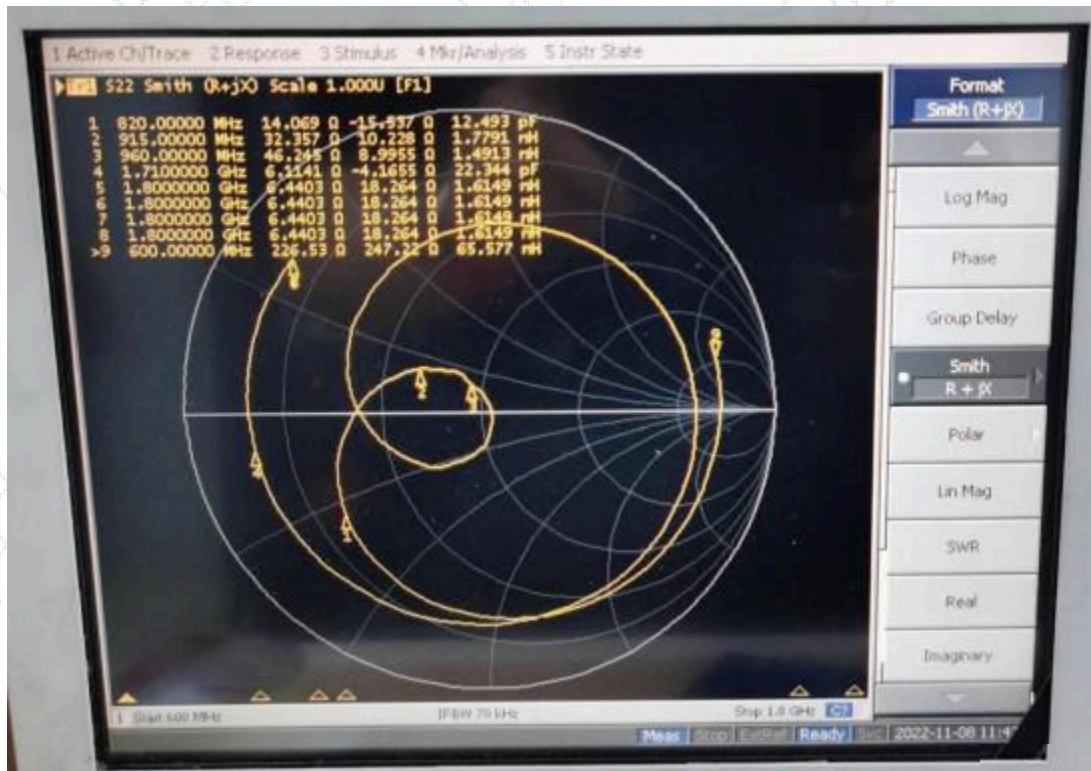
VSWR



Return Loss



Smith Chart

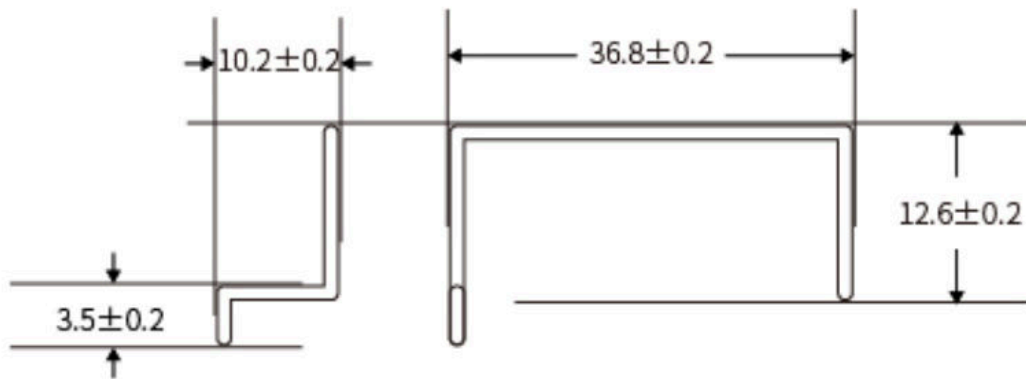


四: Environmental requirements

Operatin Temp: -30 to 70° C

Storing Temp: -30 to 70° C

五: Dimension



Tel:0755-23205219 official website: <http://www.hxrf-antenna.com/>

Address:West Floor 2, Building C10, Xin 'an Second Industrial Zone, Gushu Second Road,
Xixiang Baoan District, Shenzhen City