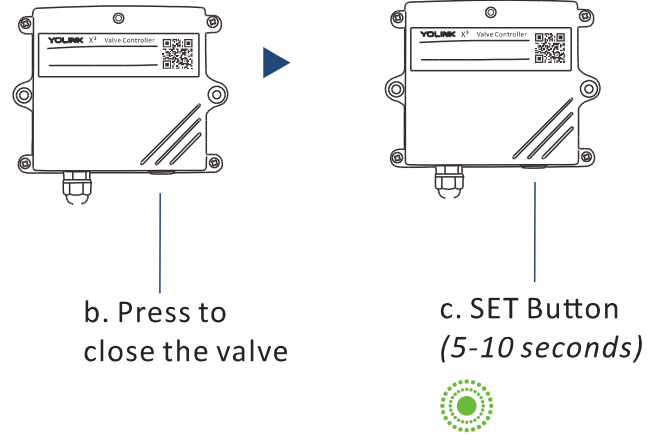


2 To configure a X3 Valve Controller as the responder, close the valve using SET button or via YoLink app (verify the valve is shown to be Closed on the app). Press and hold the SET button for 5-10 seconds until the LED quickly blinks green, then, release the button

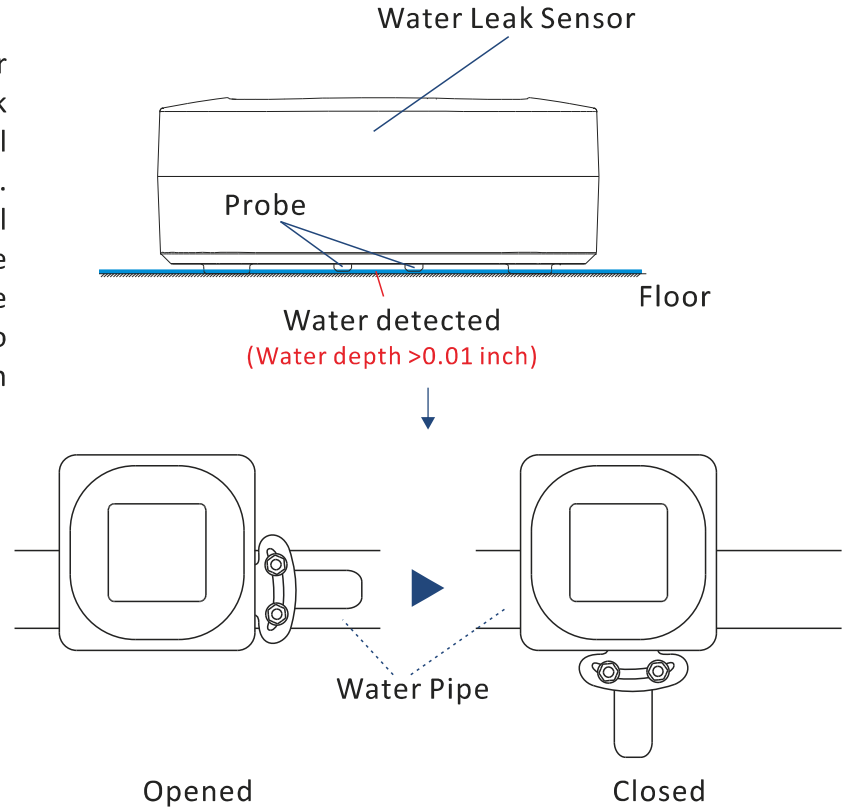
---

3 Upon pairing, the LED will stop blinking (this may happen after only blinking two or three times)



## Operation

- When the Water Leak Sensor detects water, the YoLink X3 Valve Controller will now immediately close the valve. The valve will remain closed until opened via the app or using the SET button; the restoral of the Water Leak Sensor to normal (no water detected) does not open the valve
- More advanced sequences, controlling multiple outputs (e.g. close valve and activate siren) are available via the YoLink app



## F-2. Unpairing

- 1 At the Water Leak Sensor (controller), press and hold the SET button for 10-15 seconds until the LED quickly blinks green, then red, then, release the button

---

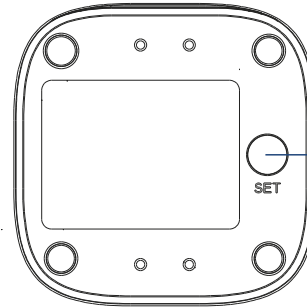
- 2 At the X3 Valve Controller (responder), press and hold the SET button for 10-15 seconds, until the LED quickly blinks green, then red, then, release the button

---

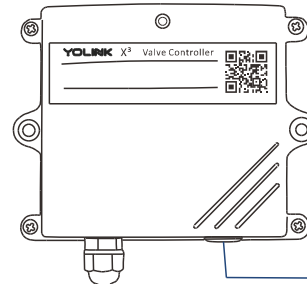
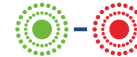
- 3 Upon un-pairing, either the Water Leak Sensor LED or the Gas/Water Valve Controller LED will stop blinking and turn off

---

- 4 The X3 Valve Controller will no longer respond to the Water Leak Sensor



a. SET Button  
(10-15 seconds)



b. SET Button  
(10-15 seconds)

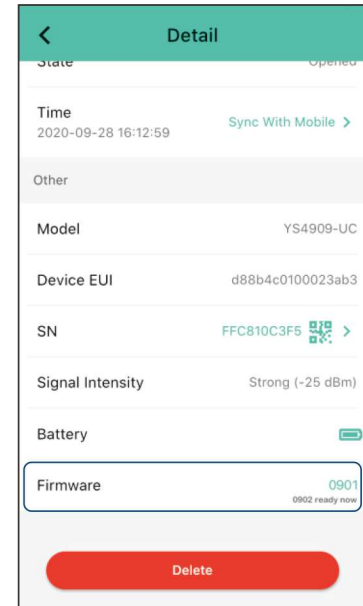
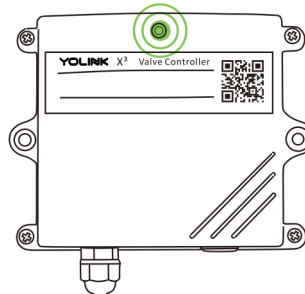


# G. Maintenance

## G-1. Firmware Update

To ensure our customers have the best user experience, we highly recommend you update to the newest version firmware when an update is available

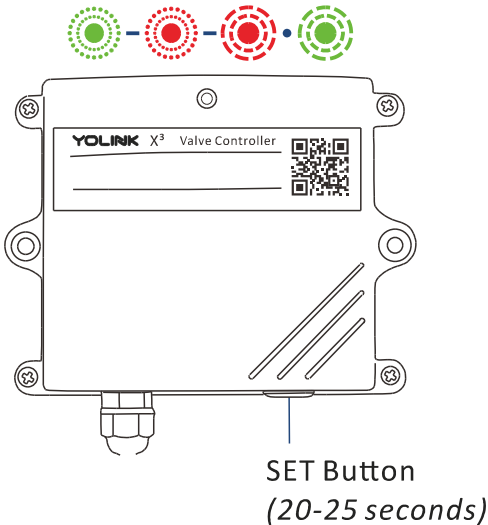
- In “Firmware”, if a new version is listed as available (#### ready now), click it to start the firmware update process
- You may use your device during the update as it is performed in the background. The LED light will slowly blink green during the update and the process will be complete within 2 minutes after the light stops blinking



## G-2. Factory Reset the X3 Valve Controller

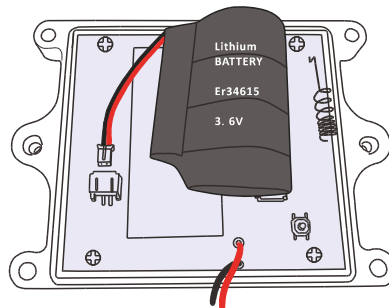
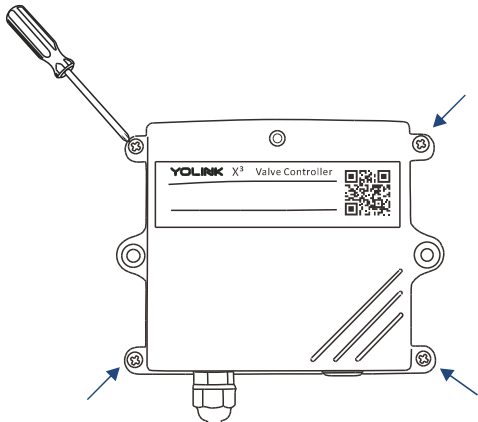
Factory reset will erase all of your settings and restore it to factory defaults. After the factory reset, your device will remain in your Yolink account

- Hold the SET button for 20-25 seconds until the status light blinks red and green alternately, then, release the button (*Hold the SET button longer than 25 seconds will ABORT the factory reset operation*)
- Factory reset will be complete when the status light stops blinking

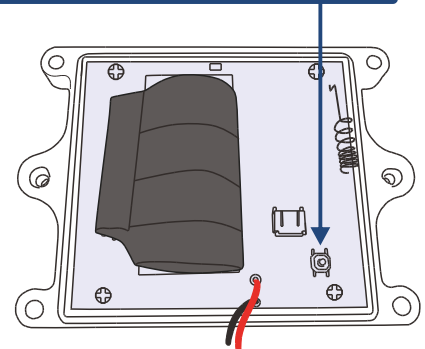


### G-3. Replacing the X3 Valve Controller Battery

- Open the enclosure by removing the four enclosure screws
- Disconnect the battery cable and remove the old battery
- Connect the new battery to the Valve Controller battery cable
- Press the battery count reset button after replacing the battery
- Verify the device is online in the app
- Reinstall the enclosure cover, using the four enclosure screws.



Press this button after replacing the battery



# H. Specifications

## H-1. X3 Valve Controller

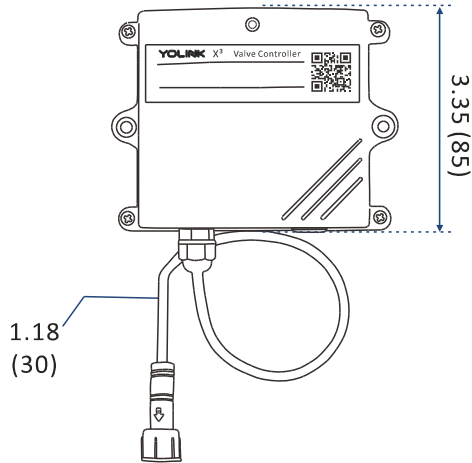
---

<b>Battery:</b>	ER34615, lithium, 3.6V, 19000mAh non-rechargeable
<b>Output Voltage:</b>	12V DC
<b>Device Current Draw:</b>	≤ 160mA (on, without connecting with the manipulator/motorized valve), ≤ 90uA (standby)
<b>IP Rating:</b>	IP65 (fully dust tight and is completely protected against solid objects. It is also protected against water jets projected by a nozzle (6.3mm) from any angle)
<b>Manipulator Type:</b>	Ball valve type, non-smart control
<b>Environment:</b>	Working Temperature: -4°F - 122°F (-20°C - 50°C) ( <i>The pipe must not freeze</i> ) Working Humidity: ≤100%, non-condensing

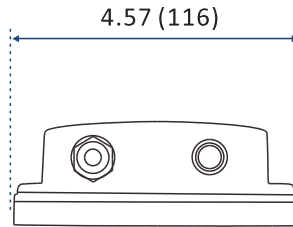
---

**Dimensions:**

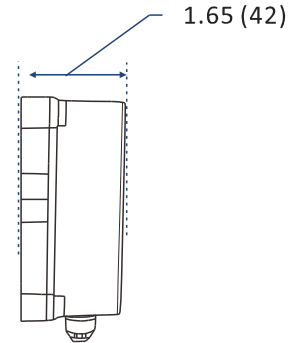
Unit: inches (millimeters)



FRONT



BOTTOM



SIDE



## H-2. Gas/Water Valve Manipulator

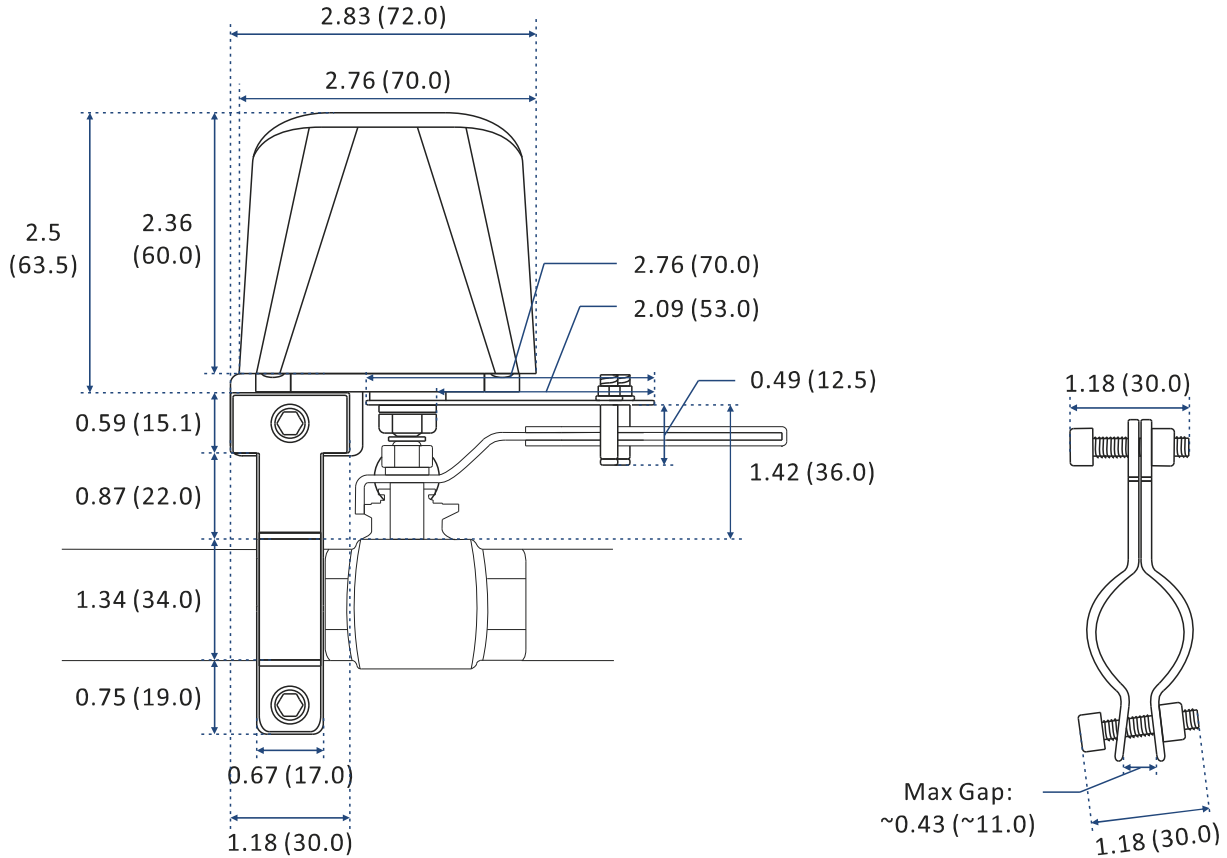
---

<b>Working Voltage:</b>	8 - 14V DC
<b>Valve Type:</b>	Ball Valve
<b>Valve Pressure:</b>	80 - 106 KPa
<b>Torque:</b>	40kgf.cm
<b>Electrical Valve Opening/Closing Time:</b>	5 - 10 seconds (max 15 seconds)
<b>Applicable Water Pipe Size:</b>	1/2 inch (DN15), 3/4 inch (DN20), 1 inch (DN25)
<b>Environment: (Indoor Use Only!)</b>	Working Temperature: 14°F - 131°F (-10°C - 55°C) ( <i>The pipe must not freeze</i> ); Working Humidity: <95% Storage Temperature: -13°F - 131°F (-25°C - 55°C)

---

## Dimensions:

Unit: inches (millimeters)



### H-3. Motorized Valve

---

<b>Working Voltage:</b>	12V DC
<b>Working Current:</b>	Max 500mA (while valve is opening or closing)
<b>Valve Type:</b>	Ball valve
<b>Suitable Media:</b>	Water, air
<b>Max Working Pressure:</b>	145PSI (1.0Mpa)
<b>Max. Torque Force For Actuator:</b>	2N.m
<b>IP Rating:</b>	IP67 (waterproof)
<b>Open/Closed Time:</b>	5 - 10 seconds (max 15 seconds)
<b>Thread:</b>	NPT
<b>Indicator:</b>	Visual Position Indicator
<b>Cable Length:</b>	1.64 feet (0.5 meters)

---

---

**Valve Body Material:**

Brass

---

**Actuator Material:**

Engineering Plastics

---

**Applicable Water Pipe Size:**

1/2 inch (DN15), 3/4 inch (DN20), 1 inch (DN25),  
1-1/4 inch (DN32)

---

**Valve Dimension:**

Dn15: 1/2" NPT female thread connection, 0.59inch (15mm)  
full bore  
DN20: 3/4" NPT female thread connection, 0.79inch (20mm)  
full bore  
DN25: 1" NPT female thread connection, 0.91inch (23mm)  
reduce bore  
DN32: 1-1/4" NPT female thread connection, 1.14inch (29mm)  
reduce bore

---

**Environment:**

Working Temperature: 5°F - 122°F (-15°C - 50°C)  
*(liquid temperature: 35.6°F - 194°F(2°C - 90°C))*

---

# Troubleshooting

## Symptom:

### 1. Device is offline

- If valve is not connected to the cloud, press the SET button on X3 Valve Controller once
- If Hub is offline, reconnect the Hub to the Internet and press the SET button on X3 Valve Controller once
- If Hub is not on, power on the Hub again and press the SET button on X3 Valve Controller once
- If valve is out of range with Hub, relocating the Hub may be required
- For a device with low-battery indicators or alerts or if the condition of the battery is in question, replace the battery (see page 56)

### 2. Timer does not run

- The condition of the battery is in question. Replace the battery. Press the SET button once to open/close the valve, also you can open/close the valve via YoLink app or set a new timer. (When you add a resetting/one-time-use timer this will need to be amended with that new information.)

### 3. Other issues

- contact customer service, via email 24/7 at [service@yosmart.com](mailto:service@yosmart.com)

## Warning

- Please install, operate and maintain the X3 Valve Controller and Manipulator (or Motorized Valve or Bulldog Valve Robot) only as outlined in this manual. Improper use may damage the unit and/or void the warranty.
- Do not install or use the controller and manipulator outside of the temperature and humidity range listed in the Environmental section in Specifications, on page 66, 68, 71.
- While the controller is rainproof, to ensure optimal operation and lifetime of the controller, installing the controller with overhead protection from weather is suggested. Do not immerse the controller or allow it to be immersed in water.
- Do not install or use the controller and manipulator where it will be subjected to high temperatures and/or open flame.
- Install or use the controller motorized valve, manipulator or Robot only in clean environments. Dusty or dirty environments may prevent the proper operation of this device, and will void the warranty.
- If your X3 Valve Controller or motorized valve, manipulator or Robot does get dirty, please clean it by wiping it down with a clean, dry cloth. Do not use strong chemicals or detergents, which may discolor or damage the exterior and/or damage the electronics, voiding the warranty.
- Do not install or use the controller and manipulator where it will be subjected to physical impacts and/or strong vibration. Physical damage is not covered by the warranty.

- Power the controller only with one ER34615 battery (see below, regarding batteries) .
- Use only new, name brand, lithium batteries.
- Do not use rechargeable batteries.
- Do not use zinc blend batteries.
- Do not puncture or damage batteries. Leakage can cause harm on skin contact, and is toxic if ingested.
- Do not dispose of batteries in fire as they may explode! Please follow local battery disposal procedures.
- Please contact Customer Service before attempting to repair, disassemble or modify the device, any of which can void the warranty and permanently damage the device.

**If you have any difficulties installing or using YoLink products, please contact our Customer Service department during business hours:**

US Live Tech Support: **1-949-825-5958** M-F 9am - 5pm PST

Email: **service@yosmart.com**

YoSmart Inc. 15375 Barranca Parkway, Ste G-105 Irvine, CA 92618, USA

## **Warranty** 1 Year Limited Electrical Warranty

YoSmart warrants to the original residential user of this product that it will be free from defects in materials and workmanship, under normal use, for 1 year from the date of purchase. User must provide a copy of original purchase receipt. This warranty does not cover abuse or misused products or products used in commercial applications. This warranty does not apply to devices that have been improperly installed, modified, put to a use other than designed, or subjected to acts of God (such as floods, lightning, earthquakes, etc.). This warranty is limited to repair or replacement of the device only at YoSmart's sole discretion. YoSmart will NOT be liable for the cost of installing, removing, nor reinstalling this product, nor direct, indirect, or consequential damages to persons or property resulting from the use of this product. This warranty only covers the cost of replacement parts or replacement units, it does not cover shipping & handling fees

To implement this warranty please give us a call during business hours at 1-949-825-5958, or visit [www.yosmart.com](http://www.yosmart.com)



# FCC WARNING

This device complies with part 15 of the FCC Rules. Operation is subject to the following two conditions: (1) this device may not cause harmful interference, and (2) this device must accept any interference received, including interference that may cause undesired operation.

Any changes or modifications not expressly approved by the party responsible for compliance could void the user's authority to operate the equipment.

NOTE: This equipment has been tested and found to comply with the limits for a Class B digital device, pursuant to Part 15 of the FCC Rules. These limits are designed to provide reasonable protection against harmful interference in a residential installation. This equipment generates, uses and can radiate radio frequency energy and, if not installed and used in accordance with the instructions, may cause harmful interference to radio communications. However, there is no guarantee that interference will not occur in a particular installation.

If this equipment does cause harmful interference to radio or television reception, which can be determined by turning the equipment off and on, the user is encouraged to try to correct the interference by one or more of the following measures:

- Reorient or relocate the receiving antenna.
- Increase the separation between the equipment and receiver.
- Connect the equipment into an outlet on a circuit different from that to which the receiver is connected.
- Consult the dealer or an experienced radio/TV technician for help.