



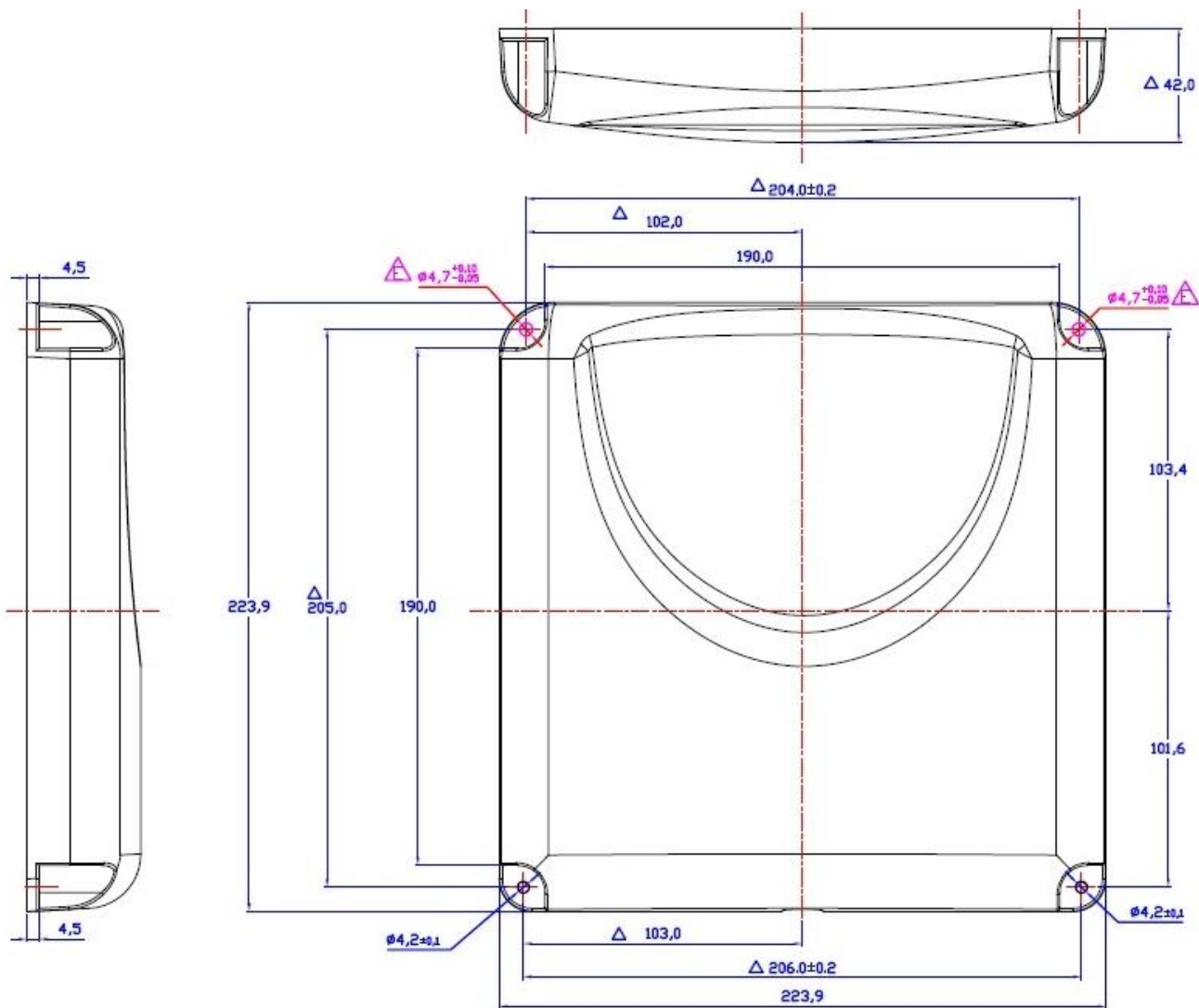
## RFID UHF Antenna Data Sheet

<b>Operating Frequency</b>	860~960MHz(return loss $\leq$ -10dB) 902~928MHz(return loss $\leq$ -14dB)
<b>Impedance</b>	50 $\Omega$
<b>VSWR</b>	$\leq$ 1.9(860~960MHz) $\leq$ 1.2(902~928MHz)
<b>Gain</b>	6dBic(860~960MHz) 7dBic(902~928MHz)
<b>Polarization</b>	Right Hand, Circular
<b>Front/Back Ratio</b>	13dB
<b>Radiation Pattern</b>	Directional
<b>HPBW (3dB Beam Width)</b>	70° $\pm$ 10° @E-plane , 70° $\pm$ 10° @H-plane (860~960MHz) 70° $\pm$ 5° @E-plane , 70° $\pm$ 5° @H-plane (902~928MHz)
<b>Connector</b>	N Jack
<b>Input power</b>	10W(Max)
<b>Dimensions</b>	225 x 225 x 40 mm
<b>Weight</b>	660g





Antenna Drawing





Radiation Pattern @915MHz

