

FCC TEST REPORT

FCC ID:2ATKM-M100

Report Number..... : ZKT-20220902L6431E

Date of Test..... Sep. 02 to Sep. 08, 2022

Date of issue : Sep. 08, 2022

Total number of pages 23

Test Result : PASS

Testing Laboratory..... : Shenzhen ZKT Technology Co., Ltd.

Address : 1/F, No. 101, Building B, No. 6, Tangwei Community Industrial Avenue, Fuhai Street, Bao'an District, Shenzhen, China

Applicant's name : **Shenzhen Chaoyue Technology Development Co., Ltd.**

Address : 3F,Block A1,Puhua High-tech Park,Dalang,Longhua,Shenzhen, China

Manufacturer's name : **Shenzhen Chaoyue Technology Development Co., Ltd.**

Address : 3F,Block A1,Puhua High-tech Park,Dalang,Longhua,Shenzhen, China

Test specification:

Standard..... : FCC CFR Title 47 Part 15 Subpart C Section 15.249
ANSI C63.10:2013

Test procedure..... : /

Non-standard test method : N/A

Test Report Form No. : TRF-EL-111_V0**Test Report Form(s) Originator** : ZKT Testing**Master TRF** : Dated: 2021-09-09

This device described above has been tested by ZKT, and the test results show that the equipment under test (EUT) is in compliance with the FCC requirements. And it is applicable only to the tested sample identified in the report.

This report shall not be reproduced except in full, without the written approval of ZKT, this document may be altered or revised by ZKT, personal only, and shall be noted in the revision of the document.

Product name..... : Hand-held automobile diagnostic instrument

Trademark : N/A

Model/Type reference : M100,M100-1,M100-V08,M200,V020,V021,V022,V023,V024,V025,
M600,V519,V520,V521,CY056,CY057,CY058,CY059,CY060

Ratings..... : DC9-16V

Testing procedure and testing location:

Testing Laboratory: Shenzhen ZKT Technology Co., Ltd.
Address.....: 1/F, No. 101, Building B, No. 6, Tangwei Community
Industrial Avenue, Fuhai Street, Bao'an District,
Shenzhen, China

Tested by (name + signature): Alen He



Reviewer (name + signature).....: Joe Liu



Approved (name + signature): Lake Xie



Table of Contents

Page

1.VERSION	4
2.1SUMMARY OF TEST RESULTS	5
2.1 TEST FACILITY	6
2.2 MEASUREMENT UNCERTAINTY	6
3. GENERAL INFORMATION	7
3.1 GENERAL DESCRIPTION OF EUT	7
3.2 DESCRIPTION OF TEST MODES	8
3.3 BLOCK DIGRAM SHOWING THE CONFIGURATION OF SYSTEM TESTED	8
3.4 DESCRIPTION OF SUPPORT UNITS(CONDUCTED MODE)	9
3.5 EQUIPMENTS LIST FOR ALL TEST ITEMS	10
4. EMC EMISSION TEST	11
4.1 RADIATED EMISSION MEASUREMENT	11
4.1.1 RADIATED EMISSION LIMITS	11
4.1.2 TEST PROCEDURE	12
4.1.3 DEVIATION FROM TEST STANDARD	12
4.1.4 TEST SETUP	12
4.1.5 EUT OPERATING CONDITIONS	13
5. BANDWIDTH OF FREQUENCY BAND EDGE	19
5.1 TEST REQUIREMENT:	19
5.2 TEST PROCEDURE	19
5.3 DEVIATION FROM TEST STANDARD	19
5.4 TEST SETUP	19
5.5 EUT OPERATING CONDITIONS	20
5.6 TEST RESULT	21
6. TEST SETUP PHOTO	23
7. EUT CONSTRUCTIONAL DETAILS	23

1.VERSION

Report No.	Version	Description	Approved
ZKT-20220902L6431E	Rev.01-1	Initial issue of report	Sep. 08, 2022

2.1 SUMMARY OF TEST RESULTS

Test procedures according to the technical standards:

FCC Part15 (15.249) , Subpart C			
Standard Section	Test Ite	Judgment	Remark
FCC part 15.249	Fundamental &Radiated Spurious Emission Measurement	PASS	
FCC part 15.205	Band Edge	PASS	

NOTE:

(1) "N/A" denotes test is not applicable in this Test Report

2.1 TEST FACILITY

Shenzhen ZKT Technology Co., Ltd.
Add. : 1/F, No. 101, Building B, No. 6, Tangwei Community Industrial Avenue, Fuhai Street, Bao'an District, Shenzhen, China

FCC Test Firm Registration Number: 692225
Designation Number: CN1299
IC Registered No.: 27033

2.2 MEASUREMENT UNCERTAINTY

The reported uncertainty of measurement $y \pm U$, where expanded uncertainty U is based on a standard uncertainty multiplied by a coverage factor of $k=2$, providing a level of confidence of approximately 95%.

No.	Item	Uncertainty
1	Conducted Emission Test	$\pm 1.38\text{dB}$
2	RF power conducted	$\pm 0.16\text{dB}$
3	Spurious emissions conducted	$\pm 0.21\text{dB}$
4	All emissions radiated(<1G)	$\pm 4.68\text{dB}$
5	All emissions radiated(>1G)	$\pm 4.89\text{dB}$
6	Temperature	$\pm 0.5^\circ\text{C}$
7	Humidity	$\pm 2\%$

3. GENERAL INFORMATION

3.1 GENERAL DESCRIPTION OF EUT

Product Name:	Hand-held automobile diagnostic instrument
Model No.:	M100,M100-1,M100-V08,M200,V020,V021,V022,V023,V024,V025, M600,V519,V520,V521,CY056,CY057,CY058,CY059,CY060
Model Different.:	All the same except colour and model name.
Serial No.:	N/A
Hardware Version:	HV1.0
Software Version:	SV1.0
Sample(s) Status:	Engineer sample
Operation Frequency:	2402MHz~2480MHz
Channel Numbers:	40
Channel Separation:	2MHz
Modulation Type:	GFSK
Antenna Type:	FPCB Antenna
Antenna gain:	0dBi
Power supply:	DC 9-16V
SWITCHING POWER ADAPTER:	N/A

Operation Frequency each of channel							
Channel	Frequency	Channel	Frequency	Channel	Frequency	Channel	Frequency
1	2402 MHz	11	2422 MHz	21	2442 MHz	31	2462 MHz
2	2404 MHz	12	2424 MHz	22	2444 MHz	32	2464 MHz
3	2406 MHz	13	2426 MHz	23	2446 MHz	33	2466 MHz
4	2408 MHz	14	2428 MHz	24	2448 MHz	34	2468 MHz
5	2410 MHz	15	2430 MHz	25	2450 MHz	35	2470 MHz
6	2412 MHz	16	2432 MHz	26	2452 MHz	36	2472 MHz
7	2414 MHz	17	2434 MHz	27	2454 MHz	37	2474 MHz
8	2416 MHz	18	2436 MHz	28	2456 MHz	38	2476 MHz
9	2418 MHz	19	2438 MHz	29	2458 MHz	39	2478 MHz
10	2420 MHz	20	2440 MHz	30	2460 MHz	40	2480 MHz

Note:

In section 15.31(m), regards to the operating frequency range over 10 MHz, the Lowest frequency, the middle frequency, and the highest frequency of channel were selected to perform the test, and the selected channel see below:

Channel	Frequency
The lowest channel	2402MHz
The middle channel	2440MHz
The Highest channel	2480MHz

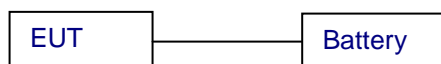
3.2 DESCRIPTION OF TEST MODES

Transmitting mode	Keep the EUT in continuously transmitting mode
Remark: During the test, the test voltage was tuned from 85% to 115% of the nominal rated supply voltage, and found that the worst case was under the nominal rated supply condition. So the report just shows that condition's data.	

Test Software	BT Test Tool
Power level setup	<0dBm

3.3 BLOCK DIGRAM SHOWING THE CONFIGURATION OF SYSTEM TESTED

Radiated Emission



3.4 DESCRIPTION OF SUPPORT UNITS(CONDUCTED MODE)

The EUT has been tested as an independent unit together with other necessary accessories or support units. The following support units or accessories were used to form a representative test configuration during the tests.

Item	Equipment	Mfr/Brand	Model/Type No.	Series No.	Note
E-1	Hand-held automobile diagnostic instrument	N/A	M100	N/A	EUT
E-2	Battery	N/A	DC12V	N/A	Supply by Lab

Item	Shielded Type	Ferrite Core	Length	Note
C-1	NO	NO	1M	DC Line

Note:

- (1) The support equipment was authorized by Declaration of Confirmation.
- (2) For detachable type I/O cable should be specified the length in cm in 『Length』 column.

3.5 EQUIPMENTS LIST FOR ALL TEST ITEMS
Radiation Test equipment

Item	Equipment	Manufacturer	Type No.	Serial No.	Last calibration	Calibrated until
1	Spectrum Analyzer (9kHz-26.5GHz)	KEYSIGHT	9020A	MY45109572	Sep. 22, 2021	Sep. 21, 2022
2	Spectrum Analyzer (1GHz-40GHz)	Agilent	E4446A	100363	Sep. 22, 2021	Sep. 21, 2022
3	Test Receiver (9kHz-7GHz)	R&S	ESC17	101169	Sep. 22, 2021	Sep. 21, 2022
4	Bilog Antenna (30MHz-1400MHz)	Schwarzbeck	VULB9168	00877	Sep. 22, 2021	Sep. 21, 2022
5	Horn Antenna (1GHz-18GHz)	SCHWARZBEC K	BBHA9120D	1541	Sep. 22, 2021	Sep. 21, 2022
6	Horn Antenna (18GHz-40GHz)	A.H. System	SAS-574	588	Sep. 22, 2021	Sep. 21, 2022
7	Amplifier (30-1000MHz)	EM Electronics	EM330 Amplifier	N/A	Sep. 22, 2021	Sep. 21, 2022
8	Amplifier (1GHz-40GHz)	全聚达	DLE-161	097	Sep. 22, 2021	Sep. 21, 2022
9	Loop Antenna (9KHz-30MHz)	SCHWARZBEC K	FMZB1519B	014	Sep. 22, 2021	Sep. 21, 2022
10	RF cables1 (9kHz-30MHz)	N/A	9kHz-30MHz	N/A	Sep. 22, 2021	Sep. 21, 2022
11	RF cables2 (30MHz-1GHz)	N/A	30MHz-1GHz	N/A	Sep. 22, 2021	Sep. 21, 2022
12	RF cables3 (1GHz-40GHz)	N/A	1GHz-40GHz	N/A	Sep. 22, 2021	Sep. 21, 2022
13	CMW500 Test	R&S	CMW500	106504	Sep. 22, 2021	Sep. 21, 2022
14	ESG Signal Generator	Agilent	E4421B	GB40051203	Sep. 22, 2021	Sep. 21, 2022
15	Signal Generator	Agilent	N5182A	MY47420215	Sep. 22, 2021	Sep. 21, 2022
16	D.C. Power Supply	LongWei	TPR-6405D	\	\	\
17	Software	Frad	EZ-EMC	FA-03A2 RE	\	\

Conduction Test equipment

Item	Kind of Equipment	Manufacturer	Type No.	Serial No.	Last calibration	Calibrated until
1	LISN	R&S	ENV216	101471	Sep. 22, 2021	Sep. 21, 2022
2	LISN	CYBERTEK	EM5040A	E185040014 9	Sep. 22, 2021	Sep. 21, 2022
3	Test Cable	N/A	C01	N/A	Sep. 22, 2021	Sep. 21, 2022
4	Test Cable	N/A	C02	N/A	Sep. 22, 2021	Sep. 21, 2022
5	EMI Test Receiver	R&S	ESRP3	101946	Sep. 22, 2021	Sep. 21, 2022
6	Absorbing Clamp	DZ	ZN23201	N/A	Sep. 22, 2021	Sep. 21, 2022

4. EMC EMISSION TEST

4.1 RADIATED EMISSION MEASUREMENT

Test Requirement:	FCC Part15 C Section 15.209				
Test Method:	ANSI C63.10:2013				
Test Frequency Range:	9kHz to 25GHz				
Test site:	Measurement Distance: 3m				
Receiver setup:	Frequency	Detector	RBW	VBW	Value
	9KHz-150KHz	Quasi-peak	200Hz	600Hz	Quasi-peak
	150KHz-30MHz	Quasi-peak	9KHz	30KHz	Quasi-peak
	30MHz-1GHz	Quasi-peak	100KHz	300KHz	Quasi-peak
	Above 1GHz	Peak	1MHz	3MHz	Peak
Peak		1MHz	10Hz	Average	

4.1.1 RADIATED EMISSION LIMITS

Frequencies (MHz)	Field Strength (microrvolts/meter)	Measurement Distance (meters)
0.009~0.490	2400/F(KHz)	300
0.490~1.705	24000/F(KHz)	30
1.705~30.0	30	30
30~88	100	3
88~216	150	3
216~960	200	3
Above 960	500	3

The field strength of emissions from intentional radiators operated within these frequency bands shall comply with the following:

Fundamental frequency	Field strength of fundamental (millivolts/meter)	Field strength of harmonics (microvolts/meter)
902-928 MHz	50	500
2400-2483.5 MHz	50	500
5725-5875 MHz	50	500
24.0-24.25 GHz	250	2500

LIMITS OF RADIATED EMISSION MEASUREMENT

FREQUENCY (MHz)	Limit (dBuV/m) (at 3M)	
	PEAK	AVERAGE
Above 1000	74	54

Notes:

- (1) The limit for radiated test was performed according to FCC PART 15C.
- (2) The tighter limit applies at the band edges.
- (3) Emission level (dBuV/m)=20log Emission level (uV/m).

4.1.2 TEST PROCEDURE

- a. The measuring distance of at 3 m shall be used for measurements at frequency up to 25GHz. For frequencies above 1GHz, any suitable measuring distance may be used.
- b. The EUT was placed on the top of a rotating table 0.8 meters above the ground at a 3 meter semi-chamber test. The table was rotated 360 degrees to determine the position of the highest radiation.
- c. The height of the equipment or of the substitution antenna shall be 0.8m; above 1GHz, the height was 1.5m, the height of the test antenna shall vary between 1 m to 4 m. Both horizontal and vertical polarizations of the antenna are set to make the measurement.
- d. The initial step in collecting conducted emission data is a spectrum analyzer peak detector mode pre-scanning the measurement frequency range. Significant peaks are then marked and then Quasi Peak detector mode re-measured.
- e. If the Peak Mode measured value compliance with and lower than Quasi Peak Mode Limit, the EUT shall be deemed to meet QP Limits and then no additional QP Mode measurement performed.
- f. For the actual test configuration, please refer to the related Item –EUT Test Photos.

g. For the radiated emission test above 1GHz:

Place the measurement antenna away from each area of the EUT determined to be a source of emissions at the specified measurement distance, while keeping the measurement antenna aimed at the source of emissions at each frequency of significant emissions, with polarization oriented for maximum response.

The measurement antenna may have to be higher or lower than the EUT, depending on the radiation pattern of the emission and staying aimed at the emission source for receiving the maximum signal. The final measurement antenna elevation shall be that which maximizes the emissions. The measurement antenna elevation for maximum emissions shall be restricted to a range of heights of from 1 m to 4 m above the ground or reference ground plane.

Note:

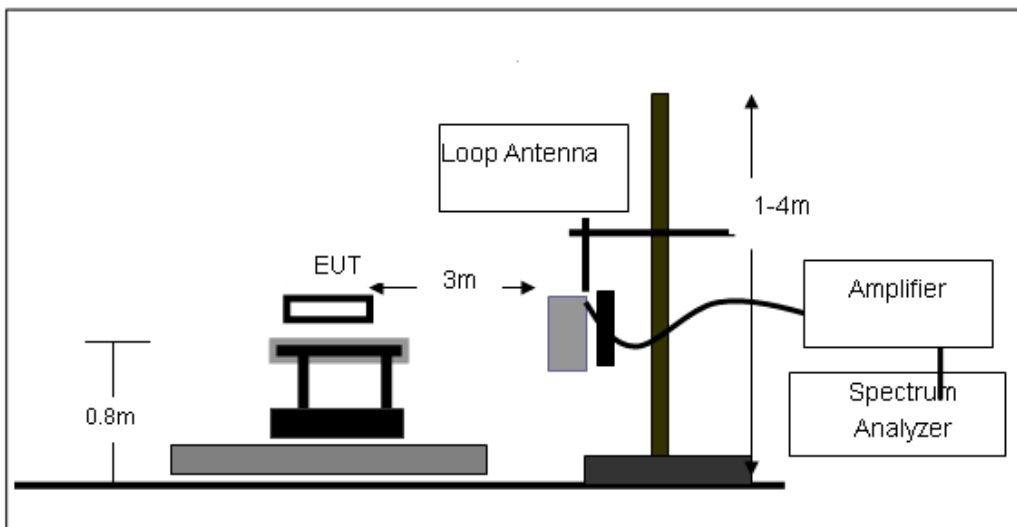
Both horizontal and vertical antenna polarities were tested and performed pretest to three orthogonal axis. The worst case emissions were reported

4.1.3 DEVIATION FROM TEST STANDARD

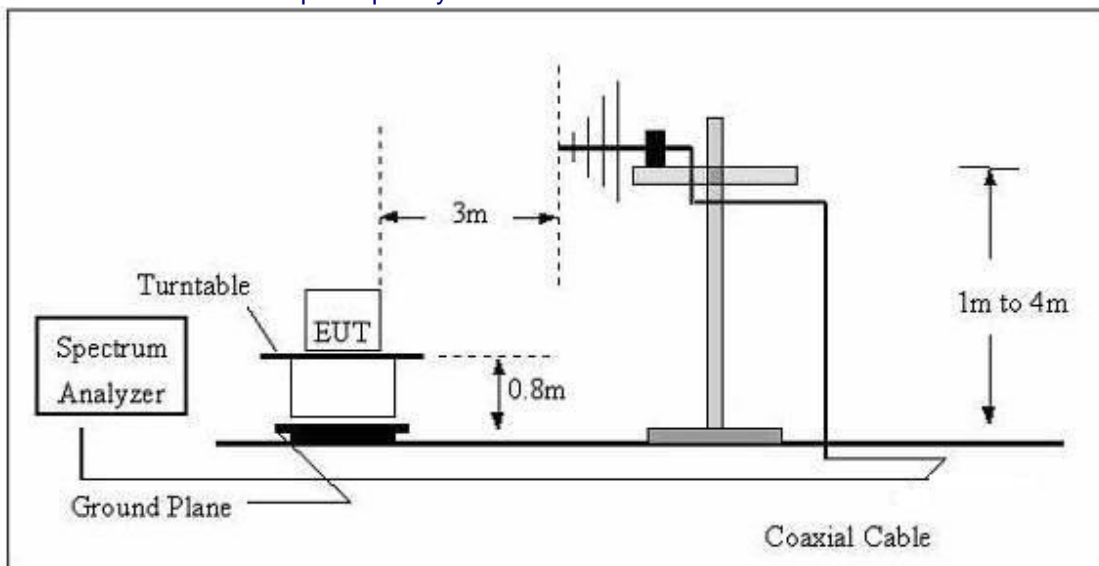
No deviation

4.1.4 TEST SETUP

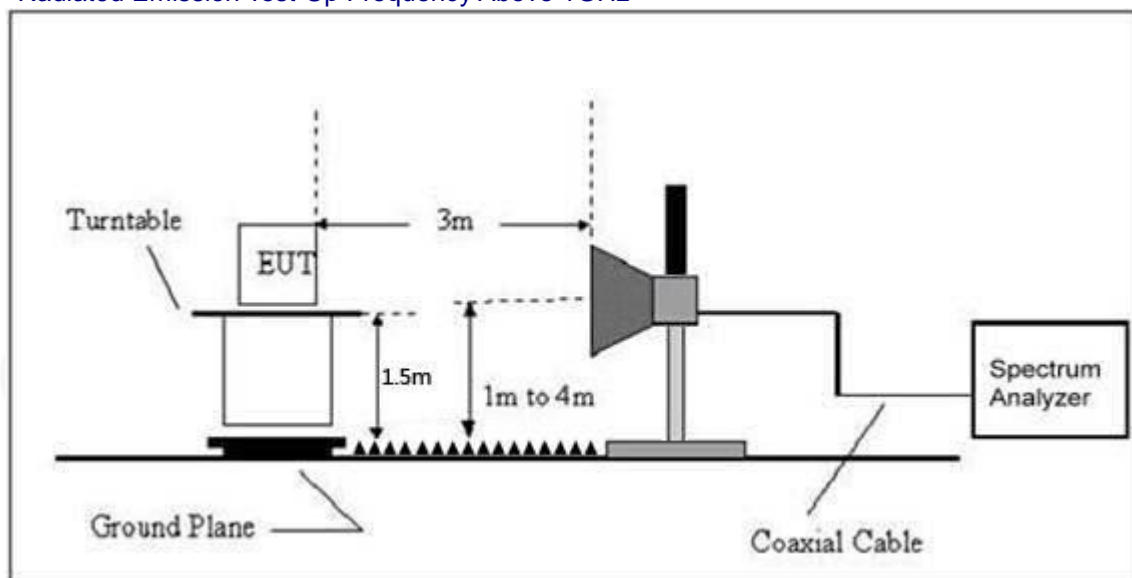
(A) Radiated Emission Test-Up Frequency Below 30MHz



(B) Radiated Emission Test-Up Frequency 30MHz~1GHz



(C) Radiated Emission Test-Up Frequency Above 1GHz



4.1.5 EUT OPERATING CONDITIONS

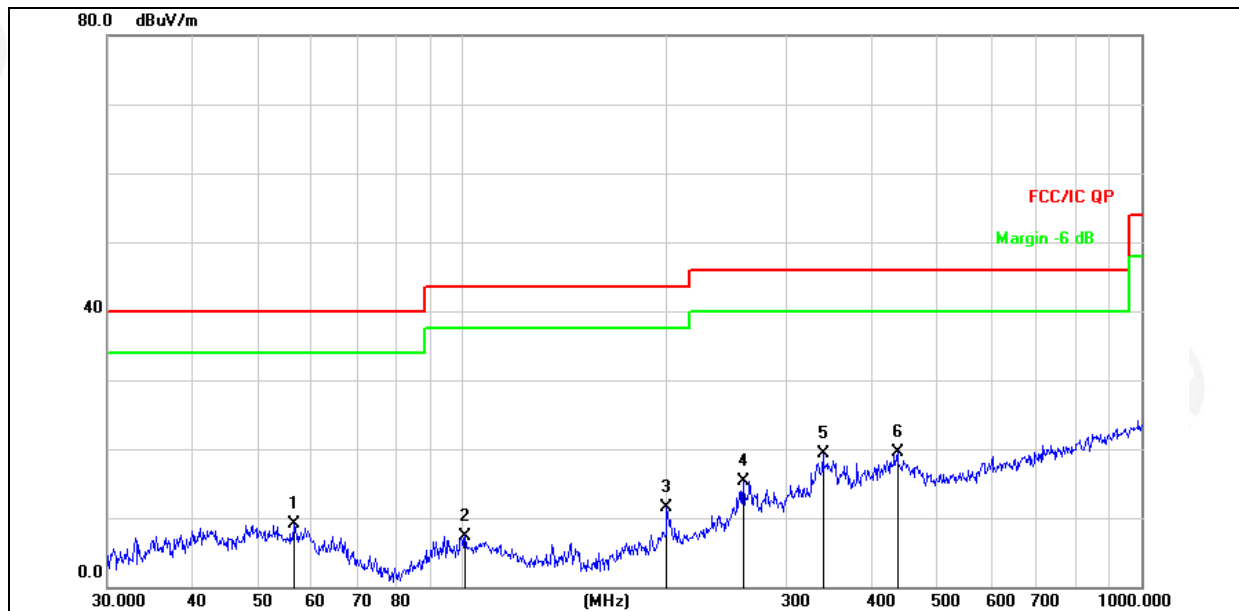
The EUT tested system was configured as the statements of 2.4 Unless otherwise a special operating condition is specified in the follows during the testing.

4.1.6 TEST RESULTS (Between 9KHz – 30 MHz)

The emission from 9 kHz to 30MHz was pre-tested and found the result was 20dB lower than the limit, and according to 15.31(o) & RSS-Gen 6.13, the test result no need to reported.

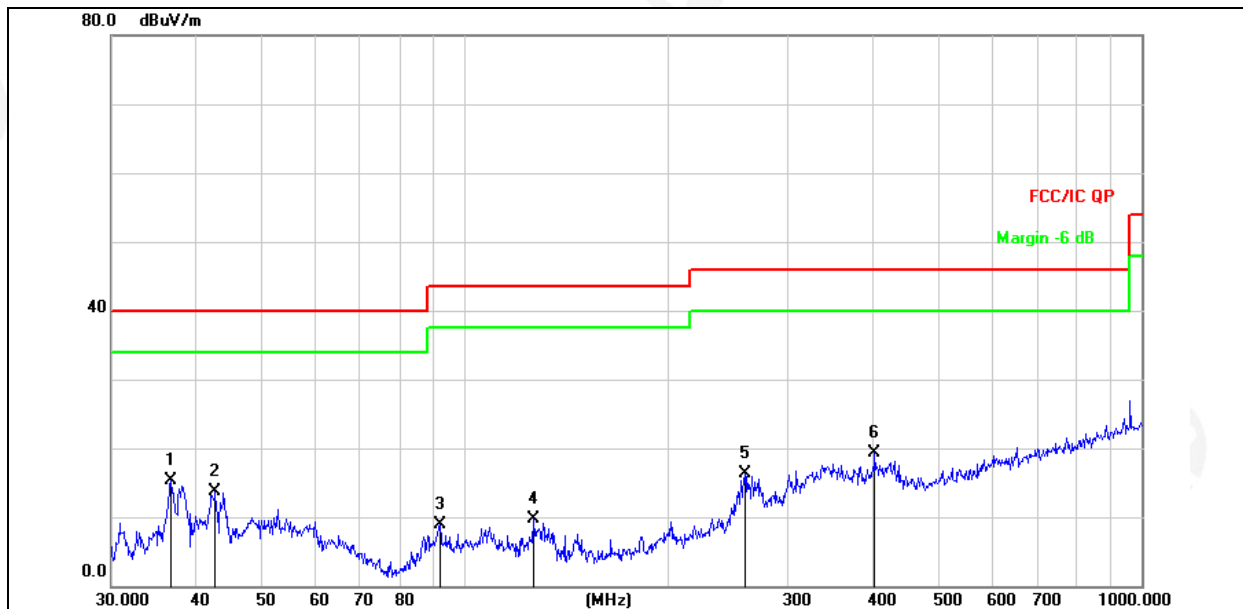
Between 30MHz – 1GHz

Temperature:	26°C	Relative Humidity:	54%
Pressure:	101 kPa	Polarization:	Horizontal
Test Voltage:	DC 12V		



No.	Mk.	Freq. MHz	Reading Level dBuV	Correct Factor dB	Measure- ment dBuV/m	Limit dB/m	Over dB	Detector
1		56.5929	24.74	-15.55	9.19	40.00	-30.81	QP
2		100.9339	23.82	-16.42	7.40	43.50	-36.10	QP
3		199.9856	27.12	-15.63	11.49	43.50	-32.01	QP
4		259.2338	28.73	-13.43	15.30	46.00	-30.70	QP
5		339.5888	29.98	-10.77	19.21	46.00	-26.79	QP
6	*	437.1199	27.99	-8.58	19.41	46.00	-26.59	QP

Temperature:	26°C	Relative Humidity:	54%
Pressure:	101kPa	Polarization:	Vertical
Test Voltage:	DC 12V		



No.	Mk.	Freq. MHz	Reading Level dBuV	Correct Factor dB	Measure- ment dBuV/m	Limit dB/m	Over dB	Detector
1	*	36.7662	32.06	-16.72	15.34	40.00	-24.66	QP
2		42.7496	28.72	-14.98	13.74	40.00	-26.26	QP
3		91.8163	26.58	-17.76	8.82	43.50	-34.68	QP
4		126.3286	28.96	-19.24	9.72	43.50	-33.78	QP
5		259.2338	29.64	-13.43	16.21	46.00	-29.79	QP
6		403.2500	28.62	-9.32	19.30	46.00	-26.70	QP

Remarks:

1. Final Level = Receiver Read level + Antenna Factor + Cable Loss – Preamplifier Factor
2. The emission levels of other frequencies are very lower than the limit and not show in test report.

Field Strength of The Fundamental Signal
Peak value:

Frequency (MHz)	Read Level (dBUV)	Antenna Factor (dB/m)	Cable Loss (dB)	Preamp Factor (dB)	Level (dBUV/m)	Limit Line (dBUV/m)	Over Limit (dB)	polarization
2402.00	93.02	27.26	5.39	30.18	95.49	114.00	-18.51	Vertical
2402.00	92.35	27.26	5.39	30.18	94.82	114.00	-19.18	Horizontal
2440.00	91.14	27.33	5.43	30.06	93.84	114.00	-20.16	Vertical
2440.00	85.26	27.33	5.43	30.06	87.96	114.00	-26.04	Horizontal
2480.00	92.27	27.40	5.47	29.93	95.21	114.00	-18.79	Vertical
2480.00	89.09	27.40	5.47	29.93	92.03	114.00	-21.97	Horizontal

Average value:

Frequency (MHz)	Read Level (dBUV)	Antenna Factor (dB/m)	Cable Loss (dB)	Preamp Factor (dB)	Level (dBUV/m)	Limit Line (dBUV/m)	Over Limit (dB)	polarization
2402.00	82.22	27.26	5.39	30.18	84.69	94.00	-9.31	Vertical
2402.00	80.45	27.26	5.39	30.18	82.92	94.00	-11.08	Horizontal
2440.00	79.31	27.33	5.43	30.06	82.01	94.00	-11.99	Vertical
2440.00	75.45	27.33	5.43	30.06	78.15	94.00	-15.85	Horizontal
2480.00	82.88	27.40	5.47	29.93	85.82	94.00	-8.18	Vertical
2480.00	79.77	27.40	5.47	29.93	82.71	94.00	-11.29	Horizontal

1GHz~25GHz

Polar (H/V)	Frequency	Meter Reading	Pre-amplifier	Cable Loss	Antenna Factor	Emission Level	Limits	Margin	Detector Type
	(MHz)	(dBuV)	(dB)	(dB)	(dB)	(dBuV/m)	(dBuV/m)	(dB)	
Low Channel:2402MHz									
V	4804.00	51.85	30.55	5.77	31.12	58.19	74.00	-15.81	Pk
V	4804.00	31.71	30.55	5.77	31.12	38.05	54.00	-15.95	AV
V	7206.00	49.94	30.33	6.32	36.04	61.97	74.00	-12.03	Pk
V	7206.00	32.42	30.33	6.32	36.04	44.45	54.00	-9.55	AV
V	9608.00	50.44	30.85	7.45	37.58	64.62	74.00	-9.38	Pk
V	9608.00	32.32	30.85	7.45	37.58	46.50	54.00	-7.50	AV
V	12010.00	50.54	31.02	8.99	39.10	67.61	74.00	-6.39	Pk
V	12010.00	32.32	31.02	8.99	39.10	49.39	54.00	-4.61	AV
H	4804.00	52.19	30.55	5.77	31.12	58.53	74.00	-15.47	Pk
H	4804.00	32.04	30.55	5.77	31.12	38.38	54.00	-15.62	AV
H	7206.00	50.83	30.33	6.32	36.04	62.86	74.00	-11.14	Pk
H	7206.00	32.09	30.33	6.32	36.04	44.12	54.00	-9.88	AV
H	9608.00	50.83	30.85	7.45	37.58	65.01	74.00	-8.99	Pk
H	9608.00	32.09	30.85	7.45	37.58	46.27	54.00	-7.73	AV
H	12010.00	50.83	31.02	8.99	39.10	67.90	74.00	-6.10	Pk
H	12010.00	31.09	31.02	8.99	39.10	48.16	54.00	-5.84	AV

Polar (H/V)	Frequency	Meter Reading	Pre-amplifier	Cable Loss	Antenna Factor	Emission Level	Limits	Margin	Detector Type
	(MHz)	(dBuV)	(dB)	(dB)	(dB)	(dBuV/m)	(dBuV/m)	(dB)	
Middle Channel:2440MHz									
V	4880.00	52.03	30.55	5.77	31.46	58.71	74.00	-15.29	Pk
V	4880.00	32.92	30.55	5.77	31.46	39.60	54.00	-14.40	AV
V	7320.00	50.56	30.33	6.32	36.15	62.70	74.00	-11.30	Pk
V	7320.00	32.60	30.33	6.32	36.15	44.74	54.00	-9.26	AV
V	9760.00	50.63	30.85	7.45	37.76	64.99	74.00	-9.01	Pk
V	9760.00	32.60	30.85	7.45	37.76	46.96	54.00	-7.04	AV
V	12200.00	50.53	31.02	8.99	39.10	67.60	74.00	-6.40	Pk
V	12200.00	32.60	31.02	8.99	39.10	49.67	54.00	-4.33	AV
H	4880.00	53.39	30.55	5.77	31.46	60.07	74.00	-13.93	Pk
H	4880.00	32.95	30.55	5.77	31.46	39.63	54.00	-14.37	AV
H	7320.00	54.10	30.33	6.32	36.15	66.24	74.00	-7.76	Pk
H	7320.00	32.73	30.33	6.32	36.15	44.87	54.00	-9.13	AV
H	9760.00	54.10	30.85	7.45	37.76	68.46	74.00	-5.54	Pk
H	9760.00	32.73	30.85	7.45	37.76	47.09	54.00	-6.91	AV
H	12200.00	50.60	31.02	8.99	39.10	67.67	74.00	-6.33	Pk
H	12200.00	32.73	31.02	8.99	39.10	49.80	54.00	-4.20	AV

Polar (H/V)	Frequency	Meter Reading	Pre-amplifier	Cable Loss	Antenna Factor	Emission Level	Limits	Margin	Detector Type
	(MHz)	(dBuV)	(dB)	(dB)	(dB)	(dBuV/m)	(dBuV/m)	(dB)	
High Channel:2480MHz									
V	4960.00	50.88	30.55	5.77	31.79	57.89	74.00	-16.11	Pk
V	4960.00	32.42	30.55	5.77	31.79	39.43	54.00	-14.57	AV
V	7440.00	53.39	30.33	6.32	36.38	65.76	74.00	-8.24	Pk
V	7440.00	32.74	30.33	6.32	36.38	45.11	54.00	-8.89	AV
V	9920.00	53.39	30.85	7.45	36.50	66.49	74.00	-7.51	Pk

V	9920.00	33.23	30.85	7.45	36.50	46.33	54.00	-7.67	AV
V	12400.00	53.39	31.02	8.99	39.11	70.47	74.00	-3.53	Pk
V	12400.00	32.63	31.02	8.99	39.11	49.71	54.00	-4.29	AV
H	4960.00	50.97	30.55	5.77	31.79	57.98	74.00	-16.02	Pk
H	4960.00	32.64	30.55	5.77	31.79	39.65	54.00	-14.35	AV
H	7440.00	52.56	30.33	6.32	36.38	64.93	74.00	-9.07	Pk
H	7440.00	32.90	30.33	6.32	36.38	45.27	54.00	-8.73	AV
H	9920.00	53.16	30.85	7.45	36.50	66.26	74.00	-7.74	Pk
H	9920.00	33.00	30.85	7.45	36.50	46.10	54.00	-7.90	AV
H	12400.00	53.06	31.02	8.99	39.11	70.14	74.00	-3.86	Pk
H	12400.00	33.00	31.02	8.99	39.11	50.08	54.00	-3.92	AV

Remark:

1. Emission Level = Meter Reading + Antenna Factor + Cable Loss – Pre-amplifier,
Margin= Emission Level - Limit
2. If peak below the average limit, the average emission was no test.
3. The amplitude of spurious emissions which are attenuated by more than 20dB below the permissible value has no need to be reported.

5. BANDWIDTH OF FREQUENCY BAND EDGE

5.1 TEST REQUIREMENT:

Test Requirement:	FCC Part15 C Section 15.209 and 15.205				
Test Method:	ANSI C63.10: 2013				
Test Frequency Range:	All of the restrict bands were tested, only the worst band's (2310MHz to 2500MHz) data was showed.				
Test site:	Measurement Distance: 3m				
Receiver setup:	Frequency	Detector	RBW	VBW	Value
	Above 1GHz	Peak	1MHz	3MHz	Peak
		Average	1MHz	3MHz	Average

Emissions radiated outside of the specified frequency bands, except for harmonics, shall be attenuated by at least 50 dB below the level of the fundamental or to the general radiated emission limits in § 15.209, whichever is the lesser attenuation

5.2 TEST PROCEDURE

Above 1GHz test procedure as below:

- a. 1. The EUT was placed on the top of a rotating table 1.5 meters above the ground at a 3 meter camber. The table was rotated 360 degrees to determine the position of the highest radiation.
- b. The EUT was set 3 meters away from the interference-receiving antenna, which was mounted on the top of a variable-height antenna tower.
- c. The antenna height is varied from one meter to four meters above the ground to determine the maximum value of the field strength. Both horizontal and vertical polarizations of the antenna are set to make the measurement.
- d. For each suspected emission, the EUT was arranged to its worst case and then the antenna was tuned to heights from 1 meter to 4 meters and the rota table was turned from 0 degrees to 360 degrees to find the maximum reading.
- e. The test-receiver system was set to Peak Detect Function and Specified Bandwidth with Maximum Hold Mode.
- f. If the emission level of the EUT in peak mode was 10dB lower than the limit specified, then testing could be stopped and the peak values of the EUT would be reported. Otherwise the emissions that did not have 10dB margin would be re-tested one by one using peak, quasi-peak or average method as specified and then reported in a data sheet.
- g. Test the EUT in the lowest channel, the Highest channel

Note:

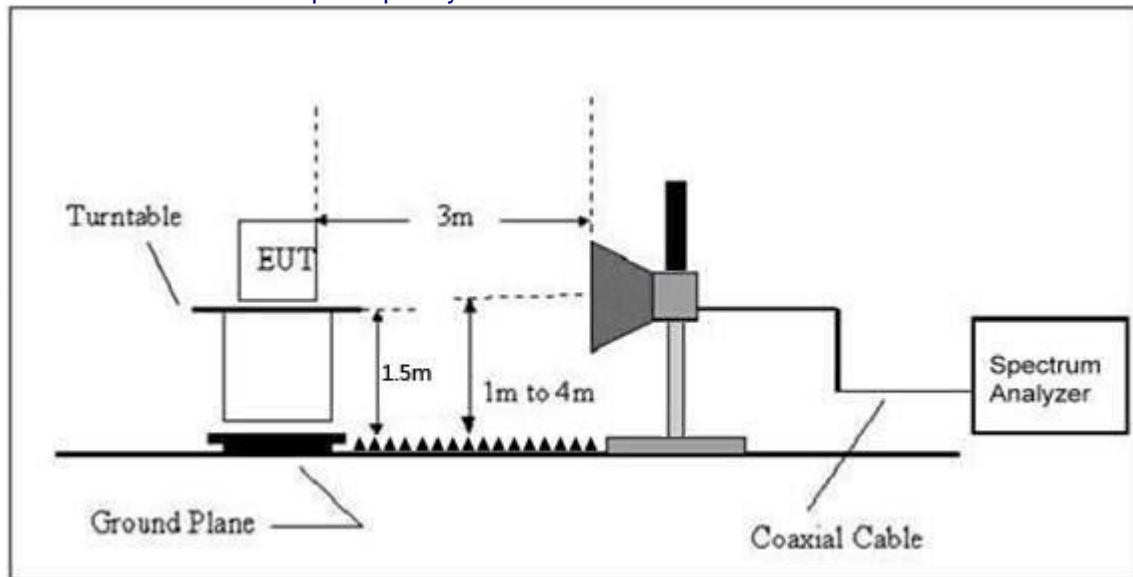
Both horizontal and vertical antenna polarities were tested and performed pretest to three orthogonal axis. The worst case emissions were reported

5.3 DEVIATION FROM TEST STANDARD

No deviation

5.4 TEST SETUP

Radiated Emission Test-Up Frequency Above 1GHz



5.5 EUT OPERATING CONDITIONS

The EUT tested system was configured as the statements of 2.3 Unless otherwise a special operating condition is specified in the follows during the testing.

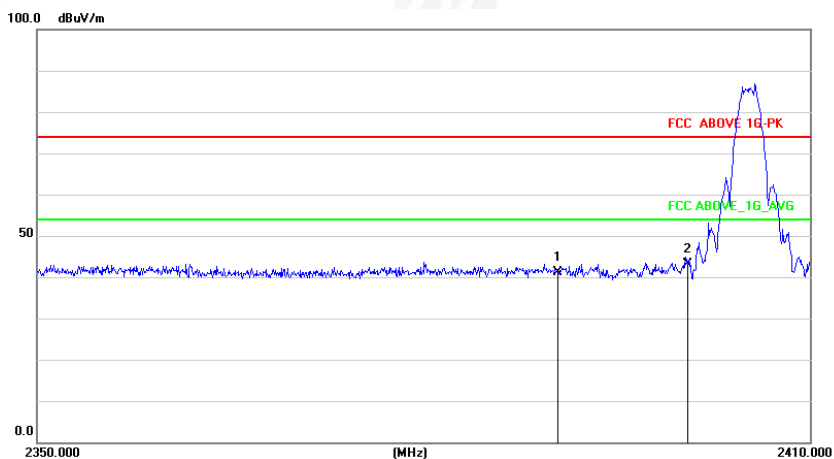
5.6 TEST RESULT

Temperature :	26 °C	Relative Humidity :	54%
Pressure :	101 kPa	Test Voltage :	DC 12V
Test Mode :	TX Mode		

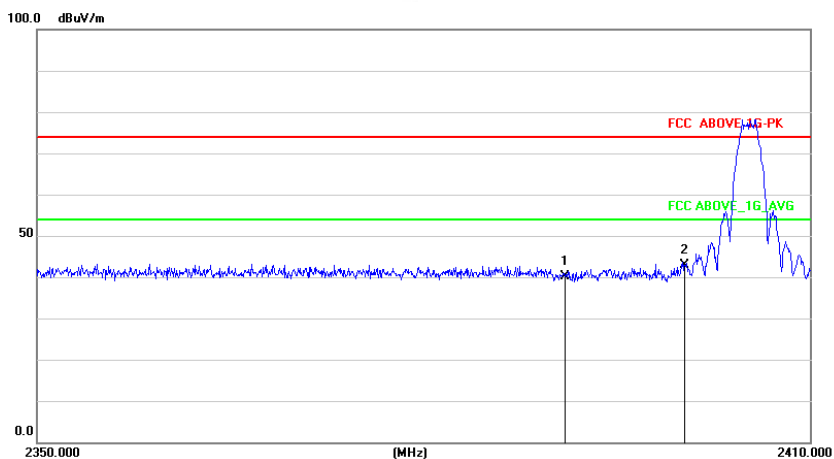
Peak value:

Frequency (MHz)	Read Level (dBuV)	Antenna Factor (dB/m)	Cable Loss (dB)	Preamp Factor (dB)	Level (dBuV/m)	Limit Line (dBuV/m)	Over Limit (dB)	Polarization
2390.00	40.00	27.25	5.38	30.18	42.45	74.00	-31.55	Horizontal
2400.00	41.67	27.26	5.39	30.18	44.14	74.00	-29.86	Horizontal
2390.00	37.93	27.25	5.38	30.18	40.38	74.00	-33.62	Vertical
2400.00	41.59	27.26	5.39	30.18	44.06	74.00	-29.94	Vertical

2402MHz Horizontal



2402MHz Vertical

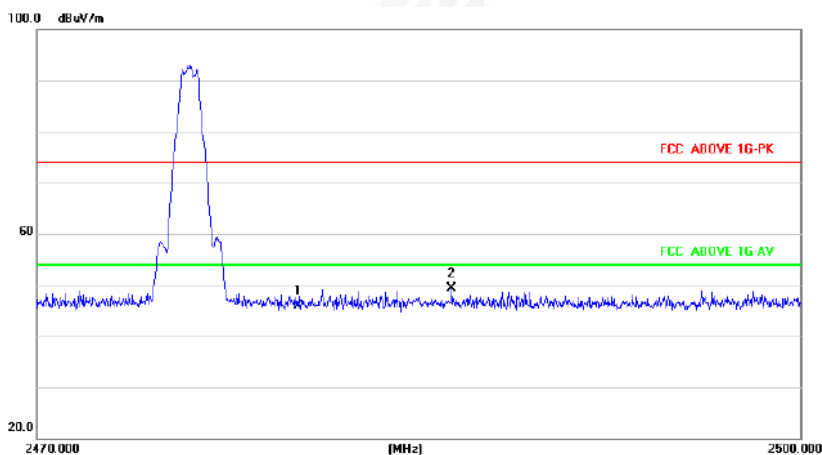


Temperature :	26 °C	Relative Humidity :	54%
Pressure :	101 kPa	Test Voltage :	DC 12V
Test Mode :	TX Mode		

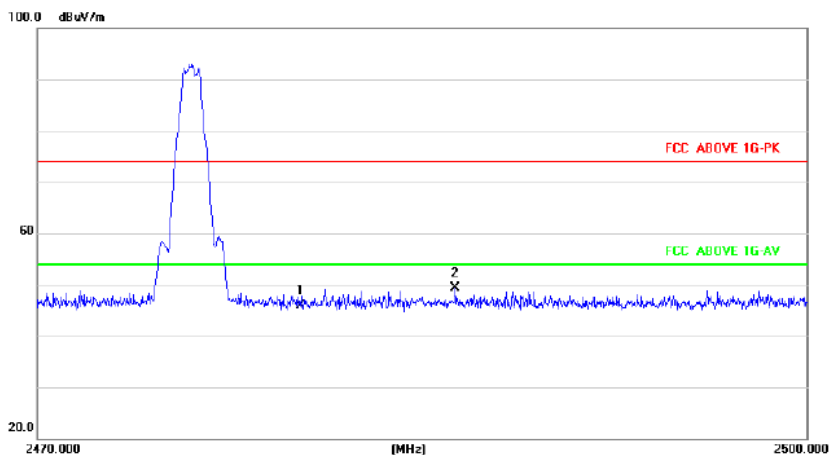
Peak value:

Frequency (MHz)	Read Level (dBuV)	Antenna Factor (dB/m)	Cable Loss (dB)	Preamp Factor (dB)	Level (dBuV/m)	Limit Line (dBuV/m)	Over Limit (dB)	Polarization
2483.50	44.31	27.25	5.47	29.93	47.10	74.00	-26.90	Horizontal
2500.00	46.84	27.26	5.49	29.93	49.66	74.00	-24.34	Horizontal
2483.50	44.11	27.25	5.47	29.93	46.90	74.00	-27.10	Vertical
2500.00	46.36	27.26	5.49	29.93	49.18	74.00	-24.82	Vertical

2480MHz Horizontal



2480MHz Vertical



6. TEST SETUP PHOTO

Reference to the appendix I for details.

7. EUT CONSTRUCTIONAL DETAILS

Reference to the appendix II for details.

***** END OF REPORT *****