

Manual

Thank you for choosing our anti loss personal alarm before using the device for the first time, please carefully read the instructions and keep them properly for future reference.

1. Standard packing list

Personal alarm*1 Charging Cable*1
Manual*1 Carabiner*1

2. Specifications

Model: AF-2004-Tag	Alarm frequency: 2.9~5KHz
Alarm decibel: 130dB	Battery: 3.7V 130mAh
Alarm duration: 90min	Charging time: ≥60min
Lighting time: 240min	Material: ABS
Standby current: ≤50uA	Size: 100*31*13.5mm
Illumination current: ≤45uA	Product net weight: 28g

3. How to connect with your iphone

1. Power on: Press and hold the button for 5 seconds, the device will beep and turn on.(How to confirm if the device is turned on: Press the device button twice, and the device will emit a sound, indicating that the device is turned on and does not require a reset)

2. Enter the built-in app of the iPhone: FindMy.
3. Select: Item.
4. Select: Add item.
5. Select: Other supported items.
6. During the process of searching for items, you will find "AF-2004 Tag".
7. Click on the device and name it.
8. After naming, you can connect and use the device's functions.

A. Call the device, click to play sound, and the device will emit music.

B. Search for network help: When the device is away from Bluetooth distance, it cannot be connected in the app. You can choose the lost mode and enable it.

Enter the contact person's phone number, If there is an iPhone near the lost device, the iPhone owner will receive notifications and the latest location.

9. Remove device: To remove a device from the app, you can choose to remove the item.

10. After removing the device, device will not power off and is in a paired state.

If there is no repairing within 10 minutes, the device will exit the pairing state.

If you need to pair the device at this time, you need to reset the pairing status and then you can pair it with the APP again.

4. Anti-loss device operation instructions

1. Power on: If the device is in shutdown sleep mode, press and hold the button for 5 seconds, the device will emit a prompt sound, and the indicator light will flash 3 times. The device is turned on, and after power on, the device is in pairing mode. Device will timeout more than 10 minutes.

2. Device status confirmation: click the device button twice, and the device will emit a prompt sound. When not paired, click the button twice will not flash the light. After pairing, the light will flash. The indicator light will flash three times, indicating that the device is in a power on state. If the device has no sound, it is in shutdown sleep mode. Press and hold for 5 seconds to turn on the device.

3. Pairing mode timeout, device enters pairing mode again: After removing the device, the device will emit a sound and the indicator light will flash 6 times. The device will not shut down and is in pairing mode.

If there is no repairing within 10 minutes, the device will exit pairing mode (at this time, the device cannot pair with the app). If a device needs to be paired and needs to be reseted, the device will emit a prompt sound.

At this time, the device enters pairing mode and can search by the app again.

4. How to query serial number: Press the button 5 times within 2 seconds, the device will emit 6 beeps, and enter the serial number reading state.

5. Restore Factory Settings: After the device is turned on, click the device button twice to emit a prompt sound and indicator light flashing, and then press and hold the device button for about 8 seconds until the device emits a prompt sound, indicator light flashing 3 times, and then release the button. The factory settings have been restored.

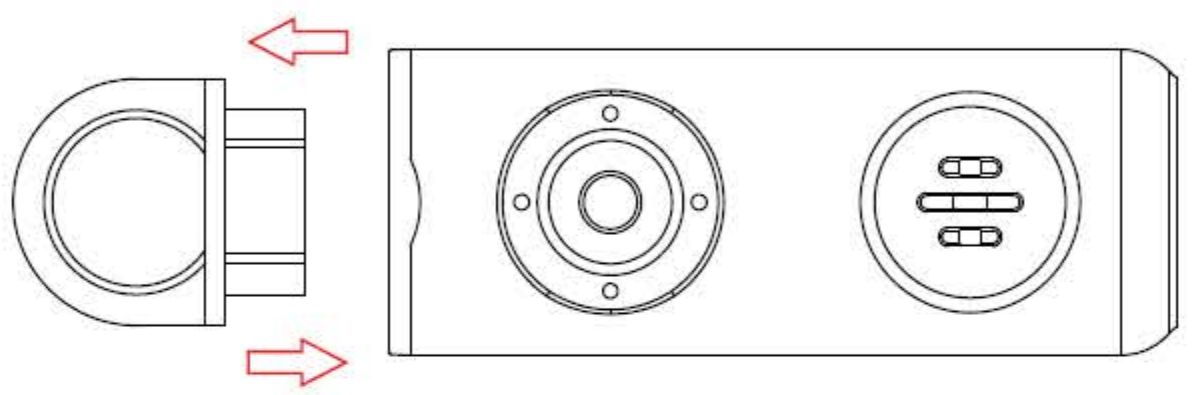
6. The device enters shutdown sleep mode from the power on state: When the device is in the power on state, press and hold the button for 5 seconds, there will be a sound, and the LED will flash 3 times to enter shutdown sleep mode.

7. Low battery notification: The light flashes slightly and the device makes a beeping sound - 3 times simultaneously.

5. Personal alarm Usage

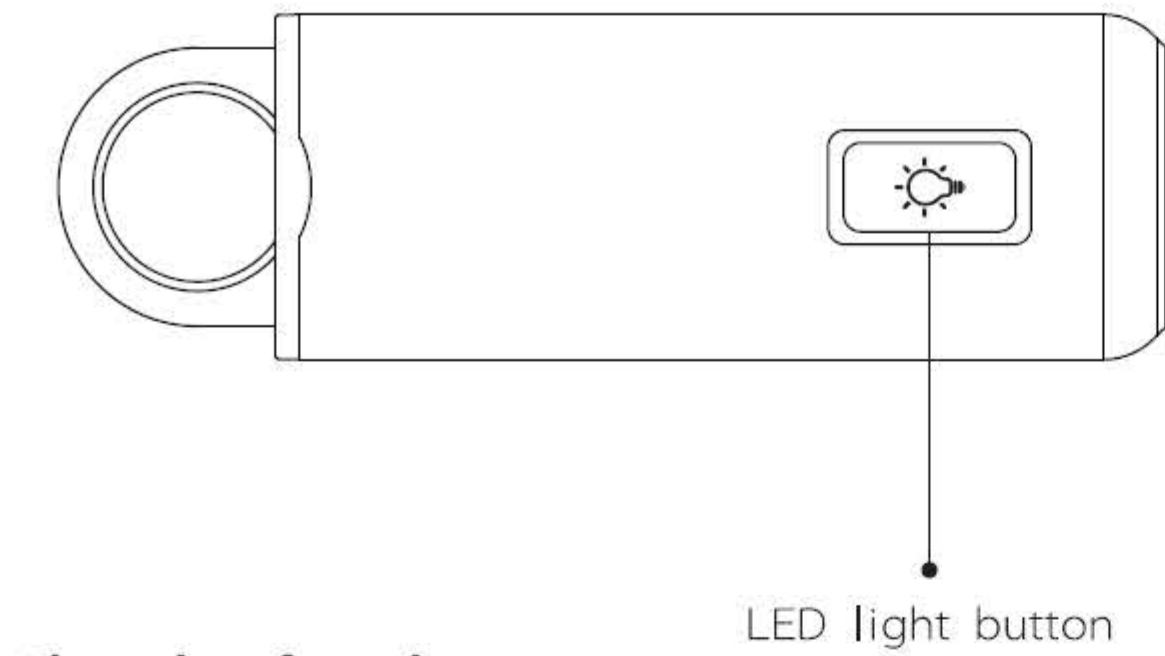
Alarm:

Pull the top pin to activate the alarm with flashing light. Push the pin back in to disarm both.



Light:

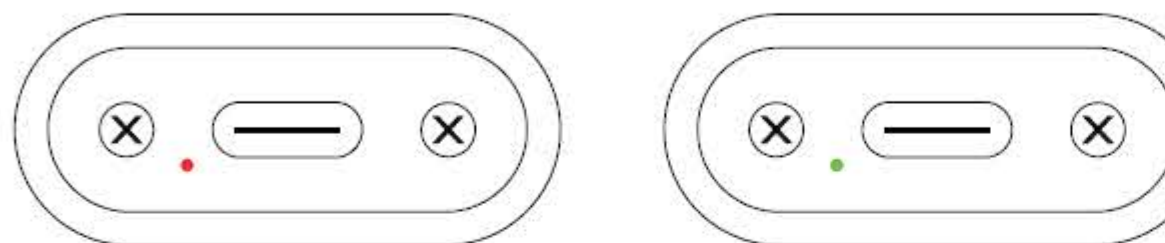
Every time you click the lighting button to switch the lighting mode, switch between "on - flicker - off".



LED light button

Charging function:

Red light is on when charging, turning green when fully charged.



Red light is on when charging

Turning green when fully charged

FCC Caution

This device complies with part 15 of the FCC Rules.

Operation is subject to the following two conditions:

- (1) This device may not cause harmful interference, and
- (2) this device must accept any interference received, including interference that may cause undesired operation.

Any Changes or modifications not expressly approved by the party responsible for compliance could void the user's authority to operate the equipment.

Note: This equipment has been tested and found to comply with the limits for a ClassB digital device, pursuant to part 15 of the FCC Rules. These limits are designed to provide reasonable protection against harmful interference in a residential installation. This equipment generates uses and can radiate radio frequency energy and, if not installed and used in accordance with the instructions, may cause harmful interference to radio communications. However, there is no guarantee that interference will not occur in a particular installation. If this equipment does cause harmful interference to radio or television reception, which can be determined by turning the equipment off and on, the user is encouraged to try to correct the interference by one or more of the following measures:

-Reorient or relocate the receiving antenna.

-Increase the separation between the equipment and receiver.

-Connect the equipment into an outlet on a circuit different from that to which the receiver is connected.

-Consult the dealer or an experienced radio/TV technician for help.

The device has been evaluated to meet general RF exposure requirement. The device can be used in portable exposure condition without restriction.

使用说明

感谢您选择我们的个人报警防丢器。

第一次使用设备前请仔细阅读使用说明，并妥善保存，以备将来使用时参考。

产品清单

报警器*1	充电线*1
说明书*1	登山扣*1

产品参数

产品型号: AF-2004-Tag	报警频率: 2.9~5KHz
报警分贝: 130dB	电池规格: 3.7V 130mAh
报警时长: 90min	充电时长: ≥60min
照明时长: 240min	产品材质: ABS
待机电流: ≤50uA	产品尺寸: 100*31*13.5mm
照明电流: ≤45uA	产品净重: 28g

连接方式

1、开机: 长按按键 5 秒, 设备发出哔哔声并开机。

(如何确认设备是否已开机: 双击设备按钮, 设备会发出声音, 表示设备已开机, 无需重启)

2、打开苹果手机系统自带的 APP: 查找。

3、选择: 物品。

4、选择: 添加物品。

5、选择: 其他支持的物品。

6、在“正在搜索物品”过程中, 会出现一个带有

“AF-2004-Tag”字样的设备。

7、点击APP中找到的设备并命名。

8、命名后即可连接使用设备功能:

A.呼叫设备, 点击播放声音, 设备会发出音乐。

B.查找网络帮助寻找: 当设备离开蓝牙距离时, 在APP中无法连接。

您可以选择丢失模式、启用。

输入联系人手机号码等, 如果丢失设备附近有iPhone, 机主的查找APP可以接收通知和最新位置。

9、移除设备: 在APP中移除设备, 可以选择移除物品。

10、移除设备后, 设备不会关机, 处于配对状态。

如果 10 分钟内没有重新配对, 设备将退出配对状态。

如果此时需要配对设备, 则需重新开机配对状态, 可以再次与APP配对。

防丢器操作说明

1、开机: 如果设备处于关机休眠模式, 长按按键 5 秒, 设备发出“开机”提示音, 指示灯闪烁 3 下, 设备已开机, 开机

后设备处于配对模式, 10 分钟后超时。

2、设备状态确认: 双击设备按钮 2 次, 设备发出“工作”

提示音, 未配对时, 双击不闪灯, 配对后, 才会闪灯, 指示灯闪烁 3 次, 表示设备处于开机状态。

如果设备没有声音, 则设备处于关机休眠模式。

长按 5 秒钟开机。

3、配对模式超时, 设备再次进入配对模式: 移除设备后,

设备会发出“重新配对”提示音、指示灯会闪烁 6 次, 设备不会关机, 处于配对模式。

如果 10 分钟内没有重新配对, 设备将退出配对模式 (此时设备无法与查找APP配对)。

如果需要配对设备, 需要重新开机, 设备会发出“重新配对”

提示音, 此时设备进入配对模式, 可以再次与查找我的APP配对。

4、如何查询序列号: 2 秒内连续按击按键 5 次, 设备会发出

6 次“嘀”提示音, 设备进入序列号读取状态。

5、恢复出厂设置: 设备开机后, 双击设备按钮, 发出“工作”

提示音、指示灯闪烁, 3 秒内按住设备按键约 8 秒, 直到设备发出“恢复出厂设置”提示音, 指示灯闪烁 3 下, 松开按钮。

至此, 恢复出厂设置完成。

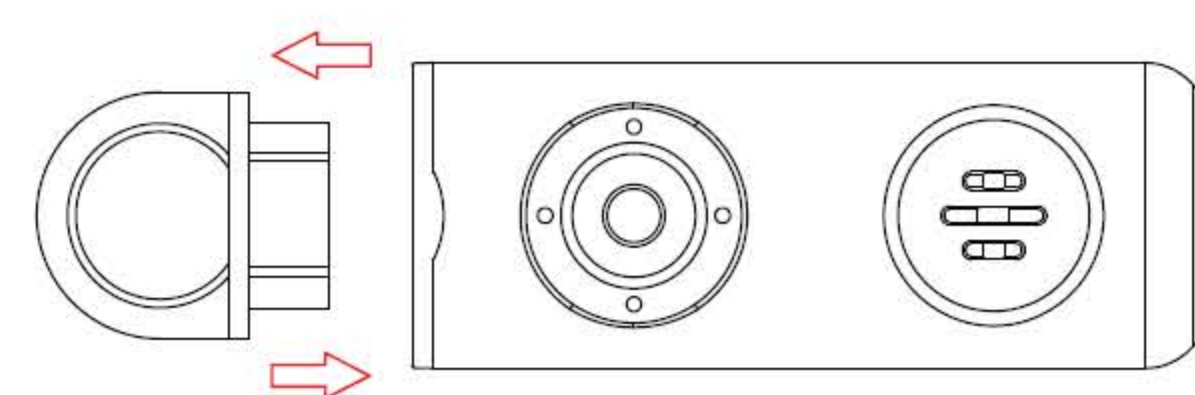
6、设备从开机状态进入关机休眠模式: 设备处于开机状态, 长按按钮 5 秒, 发出“关机”提示音、LED 闪烁 3 次, 设备进入关机休眠模式。

7、低电量提醒: 主灯闪 3 次+嘀 3 声。

报警器操作说明

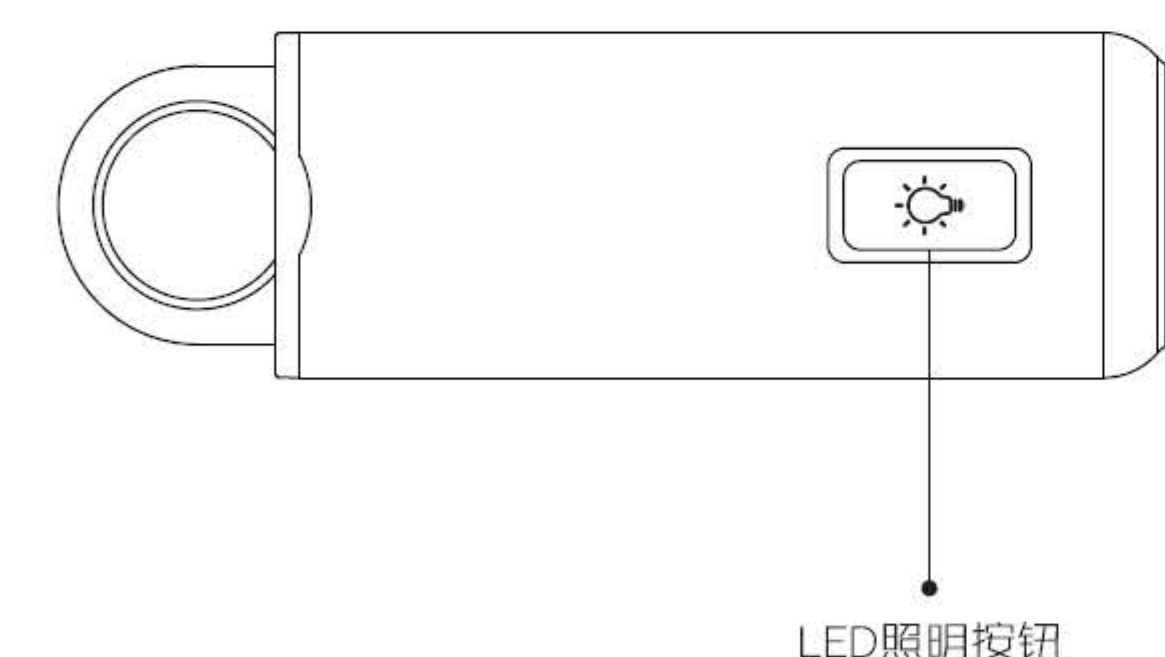
1、警报

拔出拉环报警(LED闪烁+报警声),还原拉环结束报警。



2、照明

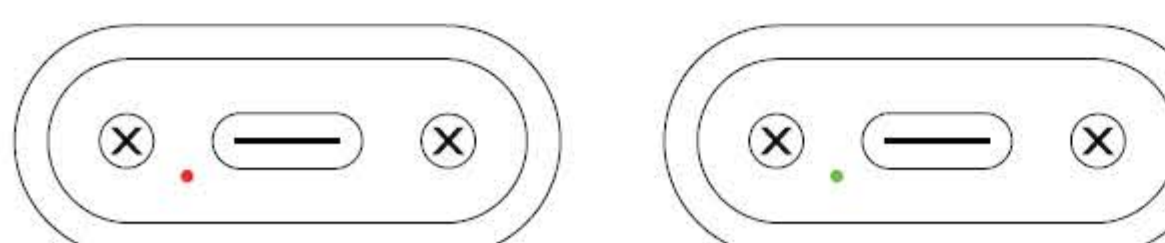
每单击 1 次照明按钮切换亮灯模式, 由“常亮-闪烁-关闭”之间切换。



LED照明按钮

3、充电

充电时红灯亮, 充满电时绿灯亮。



充电时红灯亮

充满电时绿灯亮