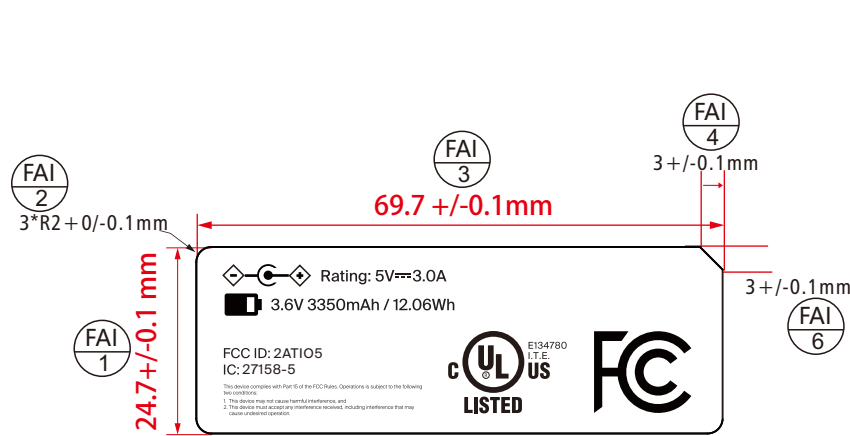
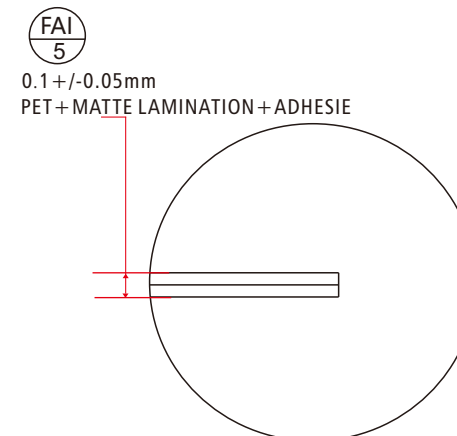


REV. 更改	DESCRIPTION 說明	ENG. 修改人	APPROVAL 審核
	根據ECR-151450變更	desheng.liao 2023/10/26	jiao.liu 2023/10/26



Font:Suisse Int'l Regular



DETAIL A  
SCALE 60:1

NOTE :

- 1.材質：網格PET+可打印霧膜
- 2.標籤需耐高溫60度，低溫-20度
- 3.標籤撕除不能有殘膠在被貼物上
- 4.FAI和CPK為IQC和廠商必檢尺寸，尺寸單位mm
- 5.來料成卷交貨，不能有/脏污/刮痕
- 6.標籤色差儀的值如下：Delta E值小于2

L:94.63  
 a:-0.55  
 b:4.21

7.Requirement of PRIMAX Part:

- 1).Comply with PRIMAX QW-5Q002 Green Product Chemical Substances Specification?
- 2).Follow customer's specification as required.
- 3). Follow Halogen- Free requirement : Br<900 ppm, Cl<900 ppm, Br+cl< 1500 ppm if required. Product must be halogen free

DO NOT SCALE DRAWING		PRIMAX <sup>®</sup> 東聚電子電訊制品有限公司 PRIMAX ELECTRONIC & TELECOMMUNICATION PRODUCTS LTD.	
<small>THESE DRAWING AND SPECIFICATIONS ARE THE PROPERTY OF PRIMAX ELECTRONICS LTD. AND SHALL NOT BE REPRODUCED COPIED OR USED IN ANY MANNER WITHOUT THE PRIOR WRITTEN CONSENT OF PRIMAX ELECTRONICS LTD.</small>		USED 用途 <b>Atlantis</b>	APPD. 審核 <b>Desheng.Chang</b> 2023/10/26
<small>UNLESS OTHERWISE SPECIFIED, DIMENSIONS ARE IN MILLIMETERS ANGULAR TOLERANCE: 1.0</small>		FINISH 處理 CHKD. 校對 <b>Jiao.Liu</b> 2023/10/26	DR. 製圖 <b>Desheng.Liao</b> 2023/10/26
DIMENSIONS 6.00 TO 30.00mm ± 0.10mm 30.01 TO 80.00mm ± 0.13mm 80.01 TO 150.00mm ± 0.15mm 150.01 ↑ ± 0.20mm	TOLERANCE ± 0.10mm ± 0.13mm ± 0.15mm ± 0.20mm	SCALE 比例 /	UNIT 單位 mm
MATERIAL 材質 網格PET+霧膜		TITLE 名稱 <b>FCC ID LABEL</b>	
DWG NO. 圖號 <b>304013654000</b>		SIZE 圖紙 <b>A4</b>	
FILE NAME 檔案名稱 304013654000V2.PDF		SHEET 張 1/1	REV. 更改 <b>2</b>

T:RR024 REVISED JAN. 95" BY THOMAS HSU