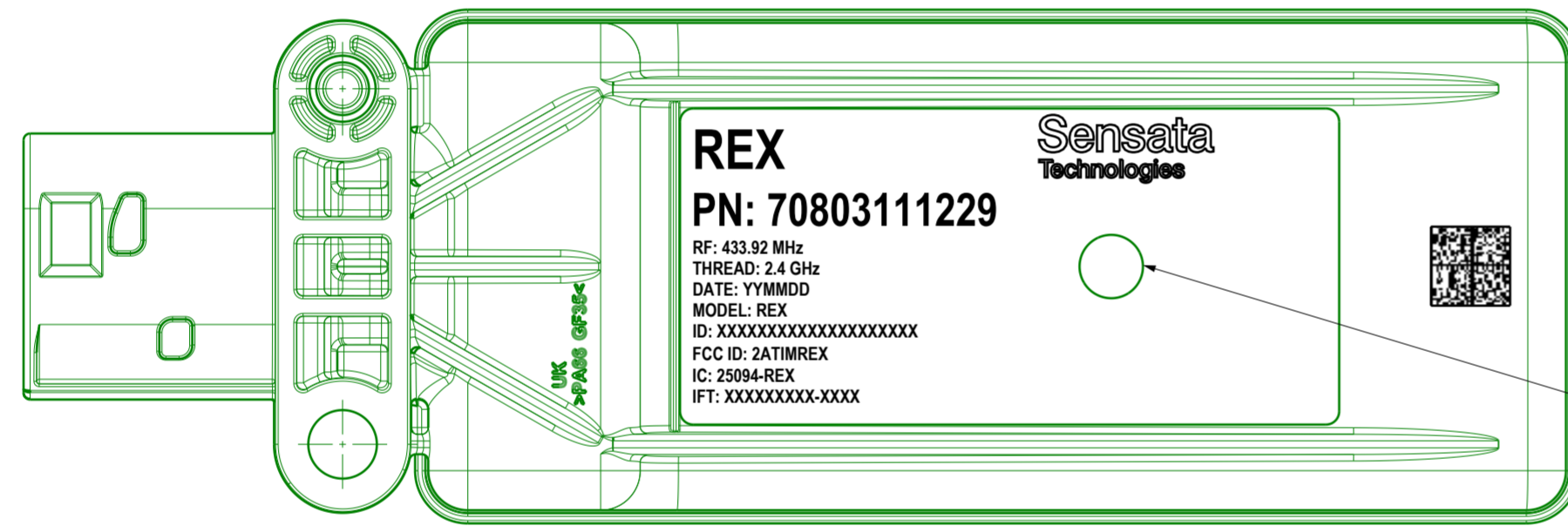
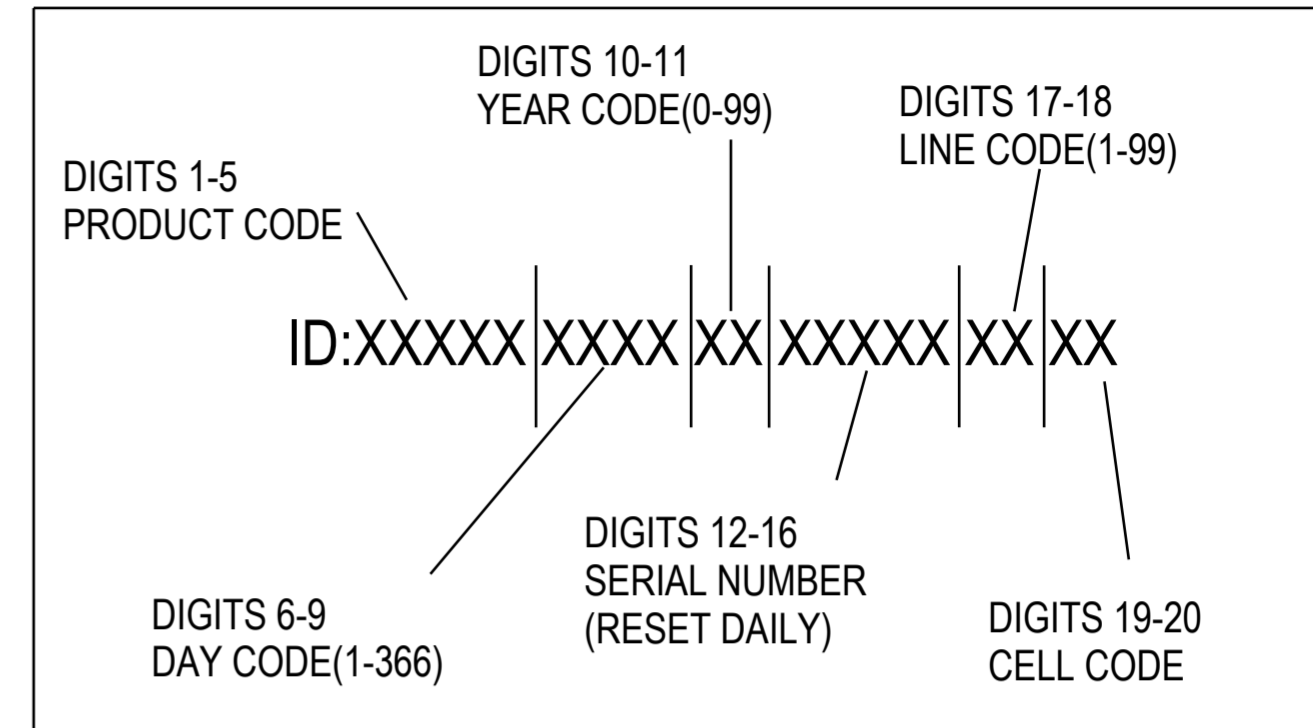


GRID REF.	REV	REVISION DESCRIPTION	BY	ECO	DATE
XX	XX	XXXXXXXXXXXXXXXXXX	XX	ECO-XXXXXX	XX/XXX/2020



INJECTION POINT
DO NOT MARK ON

TABLE 1:

TEXT	FONT	SIZE (mm)
REX	ARIAL NARROW - BOLD	3.0
PN: 70803111229	ARIAL NARROW - BOLD	2.5
RF: 433 MHz	ARIAL NARROW - BOLD	1.5
THREAD: 2.4 GHz	ARIAL NARROW - BOLD	1.5
DATE: YYMMDD	ARIAL NARROW - BOLD	1.5
MODEL: REX	ARIAL NARROW - BOLD	1.5
ID: XXXXXXXXXXXXXXXXXXXX	ARIAL NARROW - BOLD	1.5
FCC ID: 2ATIMREX	ARIAL NARROW - BOLD	1.5
IC ID: 25094-REX	ARIAL NARROW - BOLD	1.5
IFT: XXXXXXXX-XXXX	ARIAL NARROW - BOLD	1.5
SENSATA TECHNOLOGIES LOGO	N/A	8.0
2D MATRIX	N/A	6 X 6

TABLE 2:

MCH CODE XXXXX

DRAFT - FOR TECHNICAL FEEDBACK OR QUOTATION PURPOSES ONLY

SUPPLIERS - PLEASE NOTE
WHEN IN COMMUNICATION WITH SENSATA ABOUT
DRAFT ITEMS, PLEASE USE PART NUMBER TOGETHER
WITH 3D CAD VERSION AS UNIQUE IDENTIFIER OF REFERENCED
3D CAD MODEL

PART NO	DRAWING VERSION	3D CAD VERSION
70803111229	1	XX

FOR REFERENCE ONLY. CHECK LATEST REVISION BEFORE USE. REFER TO PLM FOR CONTROLLED DATA, CHANGE HISTORY AND APPROVALS		TECHNOLOGY PARK, ANTRIM, UK, BT41 1QS	
MATERIAL	SEE NOTES	PART NUMBER 70803111229	
MASS (g)	49	TITLE ST REX LASER MARKING DRAWING	
PROJECT NO.		THIS DRAWING IS CONFIDENTIAL AND PROPRIETARY OF SCHRADER ELECTRONICS LIMITED. THE INFORMATION CONTAINED WITHIN IT MAY NOT BE USED, DISCLOSED OR REPRODUCED IN WHOLE OR PART, WITHOUT THE EXPRESSED WRITTEN CONSENT OF SCHRADER ELECTRONICS LIMITED. NO RIGHT IS GRANTED TO DISCLOSE OR USE ANY INFORMATION CONTAINED WITHIN THIS DRAWING. SCHRADER ELECTRONICS LIMITED IS PART OF THE SENSATA TECHNOLOGIES GROUP.	
REVISION SYMBOL	⬡	INTERPRET DRAWING PER ASME Y14.5-2009 SEE NOTES FOR GENERAL TOLERANCES	
UNLESS OTHERWISE SPECIFIED DIMENSIONS ARE IN MILLIMETRES	DO NOT SCALE DRAWING	THIRD ANGLE PROJECTION	SIZE A2 DRAWING NO. 00013022 DRAWING REV. 01 SCALE 2:1 CATIA V5R28 SHEET 1 OF 1