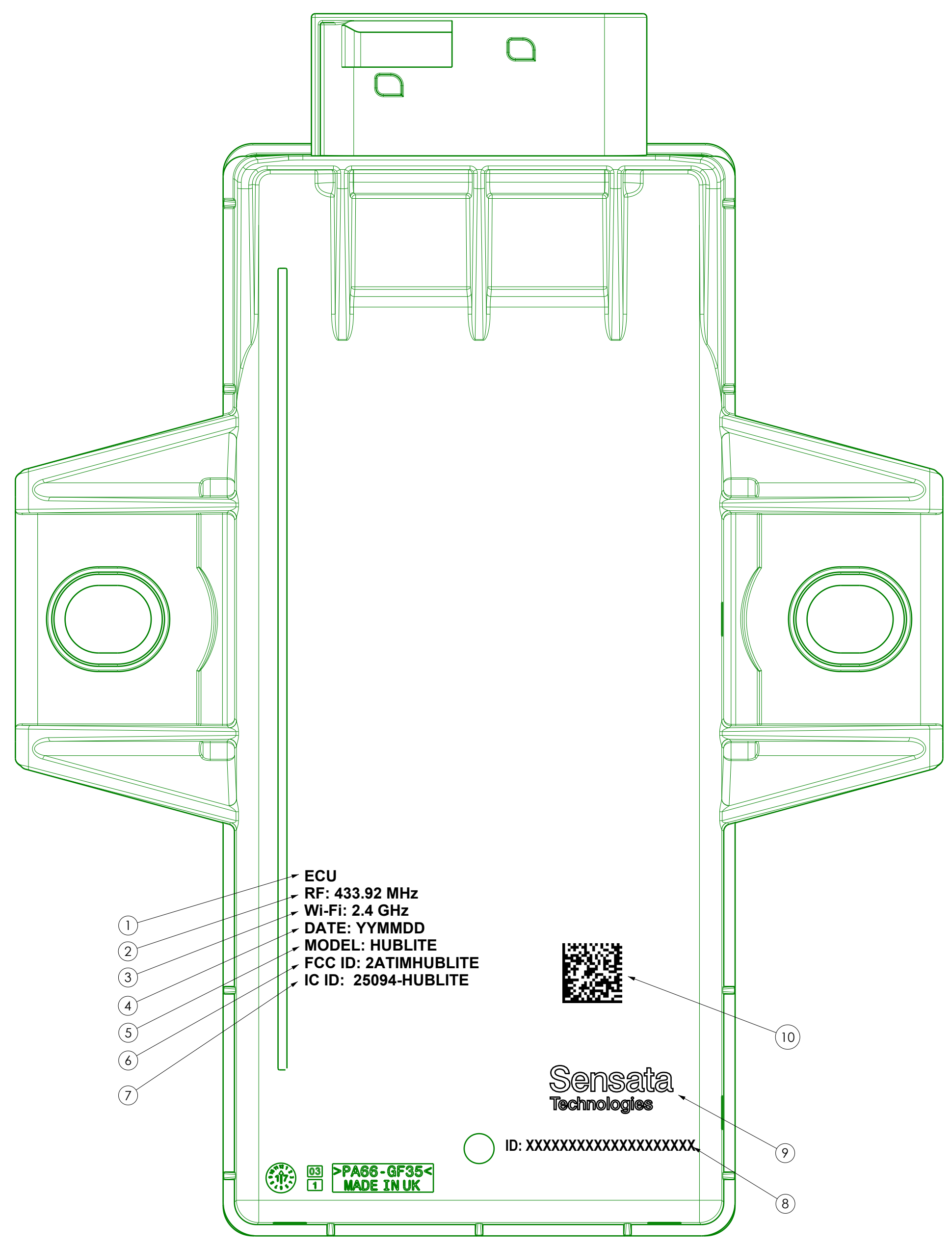
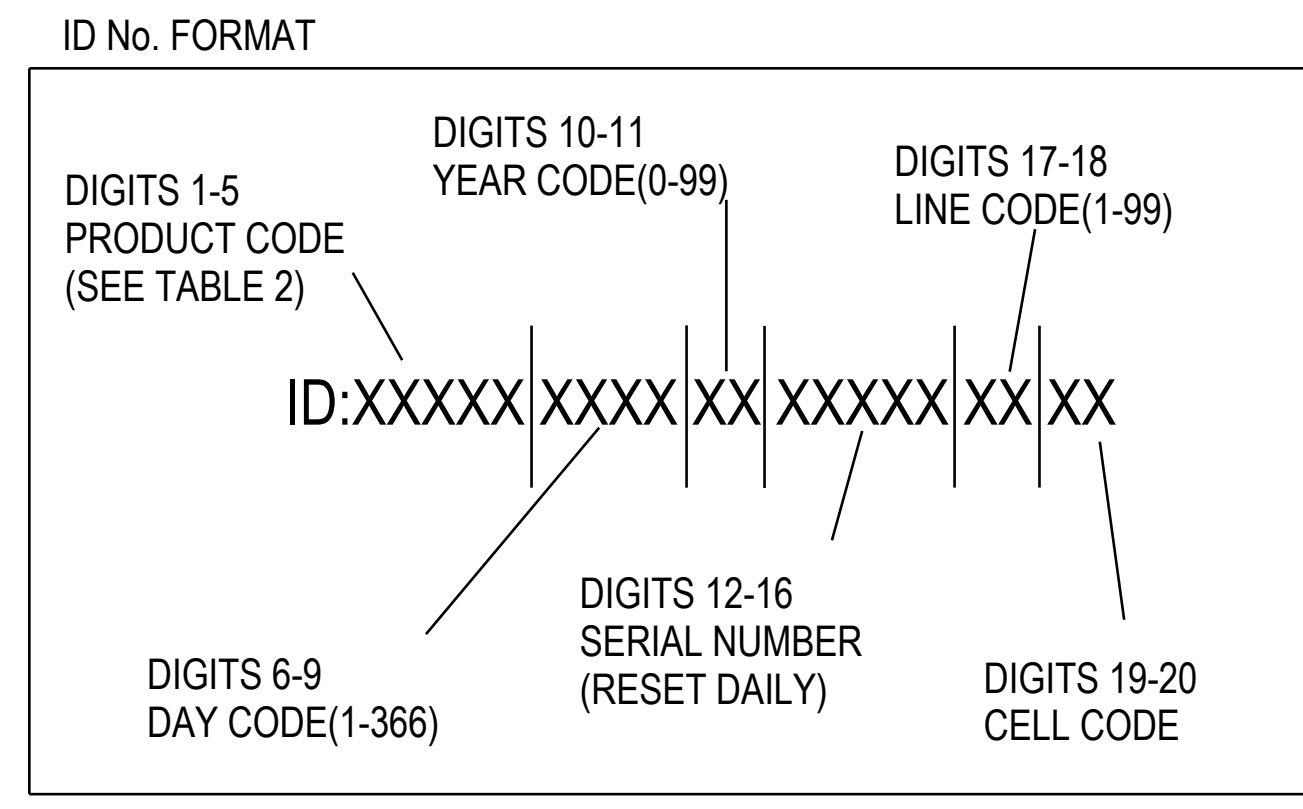


REV	REVISION DESCRIPTION	BY	ECO	DATE
01	XXXXXXXXXXXX	XX	ECO-XXXXXX	XX/XX/2024



**TABLE 1**

MECH CODE	XXXXX
XXXXX	XXXXX

**TABLE 2**

BOM No.	PART DESCRIPTION	MECH CODE	CUST. P/N (BOM)
XXXXXXXXXX	GENERIC HUB LITE	XXXXX	N/A

**TABLE 3**

PRODUCTION LOCATION	COUNTRY OF MANUFACTURE
ANTRIM	UK

**TABLE 4**

PRODUCT MARKINGS						
ITEM	DESCRIPTION	INFORMATION	FORM	FONT	SIZE REQUIRED (mm)	
1	PRODUCT INFORMATION	ECU		ARIAL NARROW - BOLD	1.5	
2	RF FREQUENCY	RF: 433.92 MHz		ARIAL NARROW - BOLD		
3	Wi-Fi FREQUENCY	Wi-Fi: 2.4 GHz		ARIAL NARROW - BOLD		
4	MANUFACTURE DATE	DATE: YYMMDD		ARIAL NARROW - BOLD		
5	MODEL NUMBER	MODEL: HUBLITE		ARIAL NARROW - BOLD		
6	USA RF ID	FCC ID: 2ATIMHUBLITE		ARIAL NARROW - BOLD		
7	CANADA RF ID	IC ID: 25094-HUBLITE		ARIAL NARROW - BOLD		
8	PRODUCT ID	ID: 01889XXXXXXXXXXXX		ARIAL NARROW - BOLD		
9	MANUFACTURER LOGO	SENSATA TECHNOLOGIES		N/A		10.0 (H)
10	2D MATRIX	AS SHOWN		N/A		8.0 X 8.0

**DRAFT**

FOR REFERENCE ONLY. CHECK LATEST REVISION BEFORE USE. REFER TO PLM FOR CONTROLLED DATA, CHANGE HISTORY AND APPROVALS		TECHNOLOGY PARK, ANTRIM, UK, B141 1QS	
MATERIAL	N/A	PART NUMBER	
MASS (g)	200	TITLE	
PROJECT NO.	PRJXXXXXX	GENERIC HUB LITE 433 XXXXXXXXXXXX LASER MARKING DRAWING	
REVISION SYMBOL	(1)	INTERPRET DRAWING PER ASME Y14.5-2009	
SEE NOTES FOR GENERAL TOLERANCES			
UNLESS OTHERWISE SPECIFIED DIMENSIONS ARE IN MILLIMETRES	DO NOT SCALE DRAWING	THIRD ANGLE PROJECTION	SIZE A1
DRAWING NO. 00021647		DRAWING REV. 01	
SCALE 2:1		CATA VSR28	SHEET 1 OF 1