

东莞市金赞智能科技有限公司

DONGGUAN KIMCHEN INDUSTRY INTL LIMITED



东莞市金赞智能科技有限公司

产品规格书

PRODUCT SPECIFICATION

客 户:	深圳市绿沣发展科技有限公司
CUSTOMER:	_____
客户料号:	11.11.00601
CUST P/N:	_____
金赞料号:	J30-000192-001
K C P/N:	_____
产品型号:	19*40.5*0.08*105P 小线径*11TS*20MM
D E S E :	_____
日 期:	2024.5.31
D A T E :	_____
版 本:	A.0
VERSION :	_____

(客户承认受领印) ACCEPTANCE STAMP

拟制 PREPARED BY	跟单员 MERCHANDISER	工程审核 ENGINEER CHECKED BY	批准 APPROVED BY
严慧琳			

Address: 东莞市石碣镇西沙路 2 号 Tel: 86-076986018114 Fax: 86-076986015646

Http://www.jzcoil.com

文件编号 FilNo: KC-JZ-09-008

东莞市金赞智能科技有限公司

DONGGUAN KIMCHEN INDUSTRY INTL LIMITED

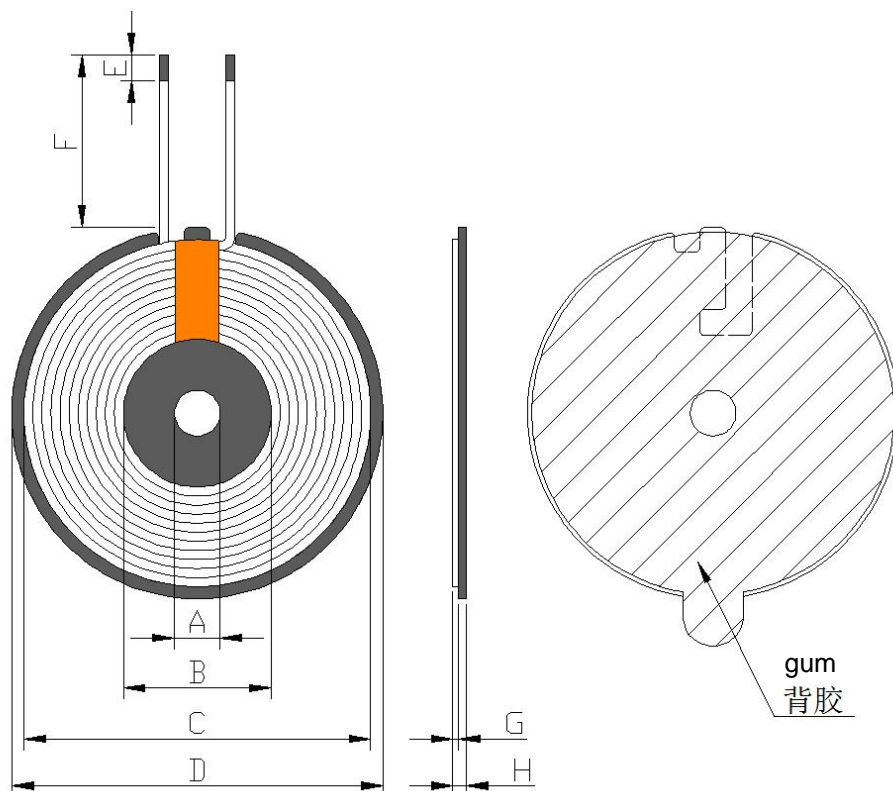
规格内容
Specification客户料号:
CUST P/N

11.11.00601

金赞型号:
KC DESE

19*40.5*0.08*105P*11TS*20MM

1. 产品外形尺寸 (OVERALL DIMENSIONS OF PRODUCTS):



天线增益 Antenna gain:

Operation frequency:	113kHz-205kHz
Antenna Type:	Loop coil Antenna
Antenna gain:	0dBi

单位(Unit):毫米(mm)

A	B	C	D	E	F	G	H
5.3±0.5	19±0.5	40.5±1	43±1	3±1	20±2	1.3±0.05	2.8MAX

PS:1. (F) is the length of the magnetic outer lead; 2. (H) Includes incoming wire, not release paper.

圈数 Turns	线径 Wire Dia.	绕线方式 疏/密 Wdg. Type Spred/Close	绕线方向 Wdg. Direction	相交 是/否 Intersect Yes/Not	线圈 正/反贴 Coil Positive/Anti Paste
11TS	0.08*105P 丝包线小线径 (Silk-Covered Wire)	密绕 (Close)	逆时针 (Anticlockwise)	是 (Yes)	反贴 (Anti-/Paste)

拟制
PREPARED BY

严慧琳

工程审核
ENGINEER CHECKED BY

李进

Address: 东莞市石碣镇西沙路 2 号 Tel: 86-076986018114 Fax: 86-076986015646

Http://www.jzcoil.com

文件编号 FilNo: KC-JZ-09-008

东莞市金赞智能科技有限公司

DONGGUAN KIMCHEN INDUSTRY INTL LIMITED

规格内容
Specification客户料号:
CUST P/N

11.11.00601

金赞型号:
KC DESE

19*40.5*0.08*105P*11TS*20MM

所有材料要求合格 ROHS 标准 All materials are required to comply with ROHS standards

2. 电气特性 (ELECTRICAL CHARACTERISTICS):

温度 TEMPERATURE: 25 ± 10 °C, 湿度 RELATIVE HUMIDITY: 65 ± 10%

序号 NO.	项目 ITEM	端子 TERMINAL	标准 SPECIFICATION	测试条件 TEST FREQUENCY	测试仪器 TEST EQUIPMENTS
1	IND	S-F	Coil and diskette : 6.8uH ± 10%	100kHz/1V	LCZ METER 1062

3. 材料清单 (BILL OF MATERIALS):

序号 NO.	材料名称 Material name	品名描述 Description	物料代码 Material Code	厂商代码 Vendor code
1	Wire rod	0.08*105P silk covered wire small diameter	SBX-2U-F-0011	ZY
2	ferrite	G43*5.3*0.8H with hole with double L slot (small middle slot)	GCP-T-00189	LX
3	Double-sided tape	Double-sided tape 41.5*6*0.08H perforated tape hand torn	SMJ-T-0025	HWD
4	Adhesive cloth	5mm	High-temperature adhesive paper 5MM	JRM
5	glue	JS-E7202 (thickened) white glue	E7202W	HZY
6	Tin bar	Environmentally friendly lead-free solder bar	Lead-free high temperature tin strip	XC

拟制
PREPARED BY

严慧琳

工程审核
ENGINEER CHECKED BY

李进

Address: 东莞市石碣镇西沙路 2 号 Tel: 86-076986018114 Fax: 86-076986015646

Http://www.jzcoil.com

文件编号 File No: KC-JZ-09-008