

东莞市金赞智能科技有限公司

DONGGUAN KIMCHEN INDUSTRY INTL LIMITED



东莞市金赞智能科技有限公司

产品规格书

PRODUCT SPECIFICATION

客 户:	深圳市绿沣科技发展有限公司
CUSTOMER:	_____
客户料号:	11.11.00501
CUST P/N:	_____
金赞料号:	J30-000156-001
K C P/N:	_____
产品型号:	20.5*39.5*0.08*80P*11TS*50MM
D E S E :	_____
日 期:	2024.6.21
D A T E :	_____
版 本:	A.1
VERSION :	_____

(客户承认受领印) ACCEPTANCE STAMP

拟制 PREPARED BY	跟单员 MERCHANDISER	工程审核 ENGINEER CHECKED BY	批准 APPROVED BY
严慧琳			

Address: 东莞市石碣镇西沙路 2 号 Tel: 86-076986018114 Fax: 86-076986015646

Http://www.jzcoil.com

文件编号 FilNo: KC-JZ-09-008

东莞市金赞智能科技有限公司

DONGGUAN KIMCHEN INDUSTRY INTL LIMITED

版本变更履历 Version Change History	客户料号: CUST P/N	11.11.00501
	金赞型号: KC DESE	20.5*39.5*0.08*80P*11TS*50M M

版本 Rev.	变更前 Before Change	变更后内容 DESCRIPTION (Content Or Reason For Changed)	日期 Date	修订者 Revisor
A.0	--	新发行 (Initial Release)	2024/5/6	严慧琳
A.1	C: 40±1	C: 39.5±1	2024/6/21	严慧琳
	D: 43±1	D: 43+0/-1		
	G: 2.3AMX	G: 2.4AMX		

拟制 PREPARED BY	工程审核 ENGINEER CHECKED BY
严慧琳	李进

Address: 东莞市石碣镇西沙路 2 号 Tel: 86-076986018114 Fax: 86-076986015646

Http://www.jzcoil.com 文件编号 FilNo: KC-JZ-09-008

东莞市金赞智能科技有限公司

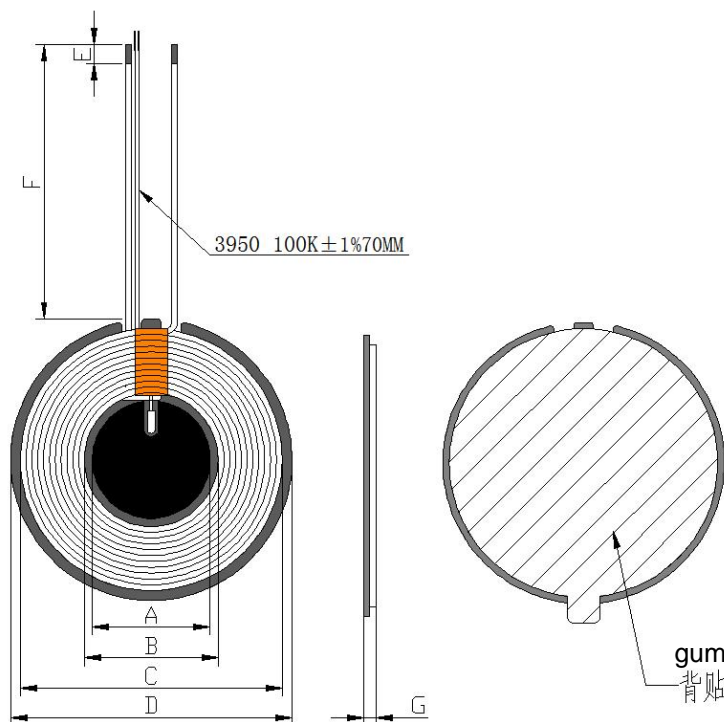
DONGGUAN KIMCHEN INDUSTRY INTL LIMITED

规格内容
Specification客户料号:
CUST P/N

11.11.00501

金赞型号:
KC DESE20.5*39.5*0.08*80P*11TS*50M
M

1. 产品外形尺寸 (OVERALL DIMENSIONS OF PRODUCTS):



天线增益Antenna gain :

Operation frequency:	113kHz-205kHz
Antenna Type:	Loop coil Antenna
Antenna gain:	0dBi

单位(Unit):毫米(mm)

A	B	C	D	E	F	G
18±0.5	20.5±0.5	39.5±1	43+0/-1	3±1	50±3	2.4MAX

PS:1. (F) is the length of the magnetic outer lead;

2. (G) Includes incoming wire, not release paper.

圈数 Turns	线径 Wire Dia.	绕线方式 疏/密 Wdg. Type Spred/Close	绕线方向 Wdg. Direction	相交 是/否 Intersect Yes/Not	线圈 正/反贴 Coil Positive/Anti Paste
11TS	0.08*80P 热风绞线 (Stranded wire)	密绕 (Close)	逆时针 (Anticlockwise)	是 (Yes)	反贴 (Anti-/Paste)

所有材料要求合格 ROHS 标准

拟制
PREPARED BY

严慧琳

工程审核
ENGINEER CHECKED BY

李进

Address: 东莞市石碣镇西沙路 2 号 Tel: 86-076986018114 Fax: 86-076986015646

Http://www.jzcoil.com

文件编号 FileNo: KC-JZ-09-008

东莞市金赞智能科技有限公司

DONGGUAN KIMCHEN INDUSTRY INTL LIMITED

规格内容 Specification	客户料号: CUST P/N	11.11.00501
	金赞型号: KC DESE	20.5*39.5*0.08*80P*11TS*50M M

2. 电气特性 (ELECTRICAL CHARACTERISTICS):

温度 TEMPERATURE: 25 ± 10°C, 湿度 RELATIVE HUMIDITY: 65 ± 10%

序号 NO.	项目 ITEM	端子 TERMINAL	标准 SPECIFICATION	测试条件 TEST FREQUENCY	测试仪器 TEST EQUIPMENTS
1	IND	S-F	Coil and diskette: 7.4uH ± 10%	1kHz/1V	LCZ METER 1062

3. 材料清单 (BILL OF MATERIALS):

序号 NO.	材料名称 Material name	品名描述 Description	物料代码 Material Code	厂商代码 Vendor code
1	线材 Wire rod	0.08*80P Stranded wire	JX-2U-F-0008	CX
2	热敏电阻 thermistor	3950 100K ± 1% (without magnetic) Total length 70MM soaked tin 3MM, match head 1.5MAX	/	/
2	大磁片 Large diskette	G43*5.3*0.8H with hole with double L slot (small middle slot)	GCP-T-00189	LX
3	小磁片 minicycle	Hard magnetic round 18*0.8H with U slot	GCP-T-00317	LX
4	Large double-sided tape	Ordinary double-sided tape 41*0.08H with hand tear	SMJ-T-0045	HWD
5	Small double-sided tape	Ordinary double-sided tape round 15*0.08H with hand tear	SMJ-T-0056	HWD
6	Gold finger tape	5mm	High-temperature adhesive paper 5MM	JRM
7	glue	JS-E7202 (thickened) white glue	E7202W	HZY
8	Tin bar	Environmentally friendly lead-free solder bar	Lead-free high temperature tin strip	XC

拟制
PREPARED BY

严慧琳

工程审核
ENGINEER CHECKED BY

李进

Address: 东莞市石碣镇西沙路 2 号 Tel: 86-076986018114 Fax: 86-076986015646

Http://www.jzcoil.com

文件编号 File No: KC-JZ-09-008