

4in

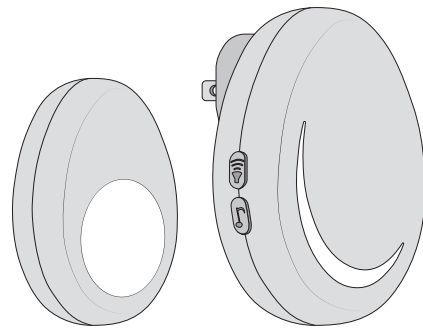
5in



# Egg Bell™

Wireless Doorbell

**IMPORTANT SAFETY INSTRUCTIONS, READ AND FOLLOW ALL WARNINGS AND INSTRUCTIONS BEFORE USING THIS PRODUCT. INJURY CAN RESULT FROM IMPROPER USE. SAVE THESE INSTRUCTIONS.**



PRODUCT MAY VARY FROM IMAGES SHOWN

## TABLE OF CONTENTS

Warnings .....	2
Product Components .....	3
Battery Installation & Replacement .....	4
Getting Started .....	5
How To Select Chime .....	6
How To Adjust Volume.....	6

1

## NOTICE

- DO NOT store or use this product near sources of heat or fire as these may damage the unit.
- Only use the size and type of battery specified.

## WARNING

- HARMFUL IF SWALLOWED. KEEP BATTERIES AWAY FROM CHILDREN. STORE OUT OF REACH OF CHILDREN. THIS PRODUCT IS NOT A TOY.**
- SUFFOCATION/CHOKING HAZARD: To avoid danger of suffocation or choking, keep plastic bags away from babies and children.
  - DO NOT operate in the presence of flammable fumes or liquids or explosive materials.

## CAUTION

- Electrical shock hazard –
  - DO NOT immerse Egg Bell™ in any fluid or liquid. The Plug-In-Receiver is NOT waterproof. DO NOT use if it becomes wet. Egg Bell™ Doorbell is water resistant, but should be installed under a sheltered area to protect from extreme weather conditions.
  - DO NOT open the housing of the Egg Bell™ Plug-In Receiver under any circumstance.
- Inspect the Egg Bell™ prior to use. If there are visible signs of damage, DO NOT plug the unit in.
- DO NOT drop the Egg Bell™, as the unit or its parts may break or suffer damage, rendering it unsafe for use.

2

## FCC COMPLIANCE

This device complies with Part 15 of the FCC Rules. Operation is subject to the following two conditions:  
 (1) This device may not cause harmful interference, and  
 (2) This device must accept any interference received, including interference that may cause undesired operation.  
 Warning: Changes or modifications to this unit not expressly approved by the party responsible for compliance could void the user's authority to operate the equipment.  
 NOTE: This equipment has been tested and found to comply with the limits for a Class B digital device, pursuant to Part 15 of the FCC Rules.

These limits are designed to provide reasonable protection against harmful interference in a residential installation. This equipment generates, uses and can radiate radio frequency energy and, if not installed and used in accordance with the Instructions, may cause harmful interference to radio communications.  
 However, there is no guarantee that interference will not occur in a particular installation. If this equipment does cause harmful interference to radio or television reception, which can be determined by turning the equipment off and on, the user is encouraged to try to correct the interference by one or more of the following measures:

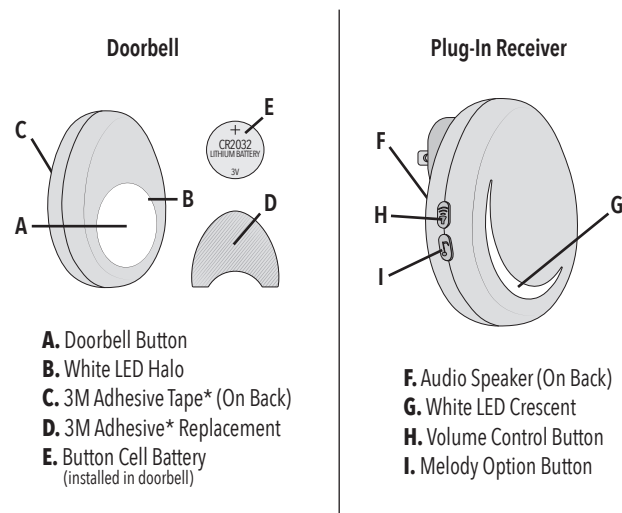
- Reorient or relocate the receiving antenna.
- Increase the separation between the equipment and receiver.
- Connect the equipment into an outlet on a circuit different from that to which the receiver is connected.
- Consult the dealer or an experienced radio/TV technician for help.



## LIMITATION OF LIABILITY

Liability limited to the purchase price of this product. Telebrands Corp. shall not be liable for any incidental or consequential damages or any implied warranty on this product. Some states do not allow the exclusion or limitation of incidental or consequential damages so the above limitation or exclusion may not apply to you.

## PRODUCT COMPONENTS



- A.** Doorbell Button  
**B.** White LED Halo  
**C.** 3M Adhesive Tape\* (On Back)  
**D.** 3M Adhesive\* Replacement  
**E.** Button Cell Battery (installed in doorbell)

- F.** Audio Speaker (On Back)  
**G.** White LED Crescent  
**H.** Volume Control Button  
**I.** Melody Option Button

Battery Type in Doorbell	CR2032
--------------------------	--------

**DO NOT** mount the Egg Bell™ on any metal surface. Interference with the metal will cause the signal to become weak.

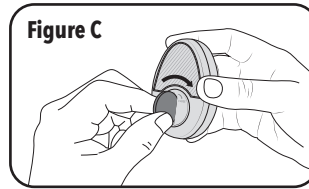
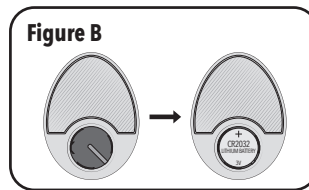
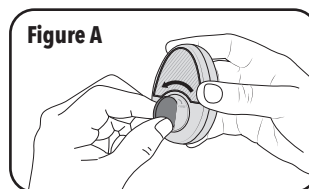
\*Not affiliated with or endorsed by 3M Company. 3M is a trademark of 3M Company.

3

## BATTERY INSTALLATION & REPLACEMENT

**NOTE:** Battery is already installed in the Doorbell. To change the battery please follow steps 1-3 in this section. Battery should be replaced if the unit does not make a sound when activated, or if the White LED Halo light around Doorbell Button does not illuminate. Only use size and type of battery specified.

1. To open the battery compartment of the Doorbell, insert a metal coin into the groove of the compartment door and twist counterclockwise. (Figure A)
2. Insert 1 CR2032 battery into the battery compartment. Make sure to place the battery with the positive (+) side up. You should be able to see the writing on the battery when it is inserted in the compartment. (Figure B)
3. Reinstall the back cover by twisting it clockwise with a metal coin according to the markings on the unit. (Figure C)



4

## GETTING STARTED

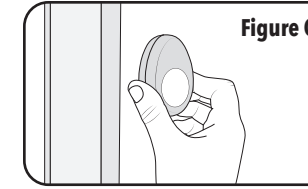
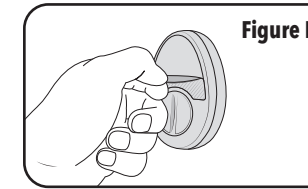
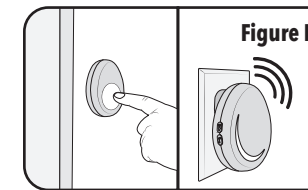
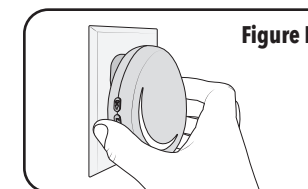
**IMPORTANT!** Mount the Doorbell under a sheltered area to protect from extreme weather conditions. Make sure surface is clean and dry before mounting.

1. Start by selecting a standard outlet in your home to plug the Plug-In Receiver into. (Figure D)
2. Next, test the operating range by taking the Doorbell outside to desired mounting location. (Figure E) Once outside, press down on the Doorbell Button. If the Plug-In Receiver begins to chime, the operating range is functional and the Doorbell can now be mounted.

**NOTE:** Doorbell Button's White LED Halo & Plug-In Receiver's White LED Crescent will illuminate indicating units are on and operating properly.

3. Mount the Doorbell on desired door frame using the 3M Adhesive Tape\* provided. Peel off the protective film from the 3M Adhesive Tape\* on the back of the Doorbell (Figure F) and press unit firmly on mounting surface for 30 seconds or until it adheres to the surface. (Figure G)

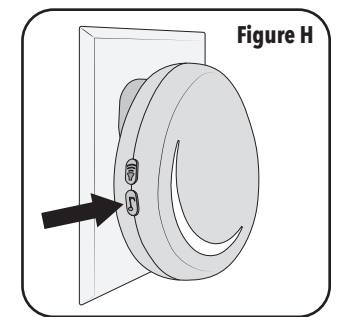
**NOTE:** Wait 1 hour before using Doorbell to ensure adhesive has adhered to surface.



5

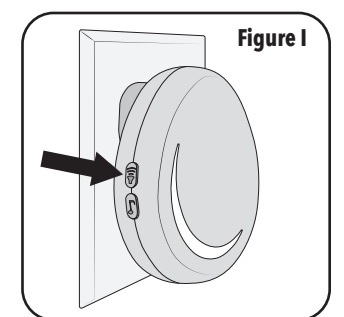
## HOW TO SELECT CHIME

1. To choose 1 of the 51 available chimes, simply repeatedly click the Melody Option Button located on the side of the Plug-In Receiver until desired melody is chosen. (Figure H)
2. Once the chime is chosen, the Plug-In Receiver will automatically play that chime. There is no need to hold down the button.



## HOW TO ADJUST VOLUME

1. Egg Bell™ has 3 volume settings - LOW, MEDIUM & HIGH.
2. To adjust the volume, click the Volume Control Button on the side of the Plug-In Receiver repeatedly until volume has reached desired level. (Figure I) There is no need to hold down the button.



6