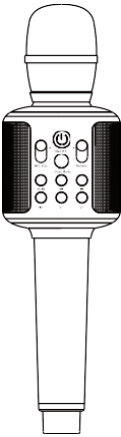


80书纸 300x105mm

正面

Welcome Guide

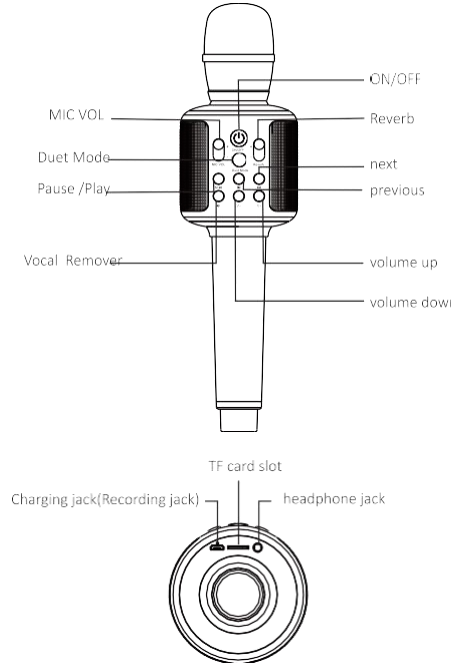
User's Manual for Y11S Microphone



Thank you for choosing the bluetooth Microphone, Please read the manual carefully to your first use so as to enjoy it as soon as possible.

Buttons description

Y11S bluetooth Microphone



Product parameters

| | |
|---------------------------------|--|
| Max output power | 5W |
| S/R (SNR) | > =90db |
| Total Harmonic Distortion (THD) | < =1% |
| Speaker specifications | Internal magnet 50mm 4Ω 5W |
| Rated voltage | DC 3.7V |
| Charging voltage | DC 5V 500ma |
| Bluetooth Version | Bluetooth 5.0 |
| Bluetooth transmission distance | 8-10m (varying on the ambient and Bluetooth equipment) |
| TF card mode | Support, maximum up to 32G |
| Battery capacity | 1800mah |
| Interfaces | Charging jack/Recording jack; headphone jack; TF card slot |
| Product size | 3.1*11.3*3.1in |
| Play time | Medium volume for about 6 hours |

Package list

| | |
|-----------------------------------|--------------------|
| 1 * Bluetooth microphone | 1 * Charging cable |
| 1 * Audio cable (Recording cable) | 1 * User's Manual |

Buttons description

ON/OFF
Long press for power on, long press again for power off

M/||
Short press to pause, short press again to play; long press to change different mode (cannot change mode if TF card or audio cable is not available)

Duet Mode
Short press to enter duet mode, then two microphones are connected

🔊
Short press to remove original voice, short press again to recover the voice

MIC VOL
Push to "+" for maximum MIC VOL, "-" for minimum MIC VOL

Reverb
Push to "+" for maximum reverb effect, "-" for minimum reverb effect

⏮ ⏭
Short press to select the previous/ next song inside the equipment (only playing music under Bluetooth Mode)

V+ V-
Turn up/ down the music volume

背面

Bluetooth connection

- Turn on the microphone and it will be stand-by to be searched.
- Turn on a equipment (e.g. Mobile phone or others) to be connected to the microphone; search for "Y11S" and connect. The microphone will start pairing with the equipment. Once the pairing completes, the microphone will prompt. (If a pairing password is required, please enter "0000" and confirm.)

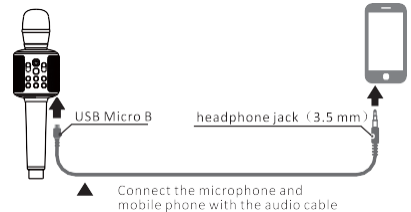
Note: Bluetooth connecting depends on different equipment, below steps for your reference. Pairing is not needed when connecting to the same equipment again, the bluetooth will be automatically connected.

Functions

Bluetooth mode:
When the microphone is connected to the equipment (e.g. Mobile phone), the bluetooth mode will be activated. Under Bluetooth mode, the user can play music inside the mobile phone (including music in karaoke APPs).

- It is possible to press "⏮ / ⏭" and "M/||" buttons only when playing music automatically.
- Open a karaoke APP inside mobile phone, select a song and start singing to use the Bluetooth microphone. (Note: 1. Adjust the "MIC VOL" and "Reverb" buttons for a better karaoke experience; 2. Recording a song under the "Bluetooth Mode" may be affected by the ambient, it is recommended to record under "Record Mode".).

Record mode:



Connect the microphone and mobile phone with the audio cable, then open a karaoke app inside mobile phone and select a song for recording. This mode can ensure the best recording experience.

Note: The recorded songs will be saved in your equipment. Please connect an adapter if your equipment don't have 3.5mm headphone jack.

TF card mode:
After powering on, insert a TF card and the microphone will prompt entering the "TF card Mode". After several seconds, the microphone will automatically play music (MP3 or WAV files stored in the TF card).

Duet mode:

- Powering on two microphones, press "Duet Mode" button of one microphone. This microphone will prompt a "toot" sound and search for the other microphone to pair. When two microphones are connected successfully, they will prompt a "toot" sound at the same time and open "Duet Mode".
- Connecting with your equipment, which one prompting a "toot" sound is the host microphone. Under this mode, you can sing through karaoke app with your friends.
- To cancel "Duet Mode", press the "Duet Mode" button of one microphone, then it will disconnect.

Note: Under Duet Mode, recording is not available.

Vocal Remover:
Press the "🔊" button of the microphone to remove original voice of songs; Press again can recover.

Reverb control:
To control the "Reverb" button to enhance or weaken the reverberation echo effect for a better karaoke experience.

Microphone charging:
The microphone will prompt if the battery level is less than 10%, please recharge it as soon as possible. When the battery level is less than 3%, the microphone will turn off automatically. Connecting the charging cable to charge, the red indicator will light up.

Indicator light status

- Bluetooth mode: Blue light
- Record mode: Slowly-flashing blue light
- TF card mode: Slowly-flashing blue light when music play
- Charging: Red indicator lights up when charging and goes off when it is fully recharged.

Warranty and After-sales Service

- Every product comes with at least 12-month warranty and lifetime technical support.
- You could return your undamaged product and its packaging within 30 days of purchase to receive a FULL REFUND for any reason. If the reason for return isn't quality-related, the customer must pay the return shipping costs.

FCC Statement

Changes or modifications not expressly approved by the party responsible for compliance could void the user's authority to operate the equipment.

This equipment has been tested and found to comply with the limits for a Class B digital device, pursuant to Part 15 of the FCC Rules. These limits are designed to provide reasonable protection against harmful interference in a residential installation. This equipment generates uses and can radiate radio frequency energy and, if not installed and used in accordance with the instructions, may cause harmful interference to radio communications. However, there is no guarantee that interference will not occur in a particular installation. If this equipment does cause harmful interference to radio or television reception, which can be determined by turning the equipment off and on, the user is encouraged to try to correct the interference by one or more of the following measures:

-- Reorient or relocate the receiving antenna.

-- Increase the separation between the equipment and receiver.

-- Connect the equipment into an outlet on a circuit different from that to which the receiver is connected.

-- Consult the dealer or an experienced radio/TV technician for help

This device complies with part 15 of the FCC rules. Operation is subject to the following two conditions (1) this device may not cause harmful interference, and (2) this device must accept any interference received, including interference that may cause undesired operation.