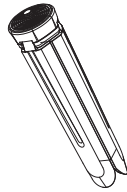
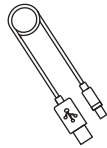


■ Mobile phone stabilizer



■ Lampstand



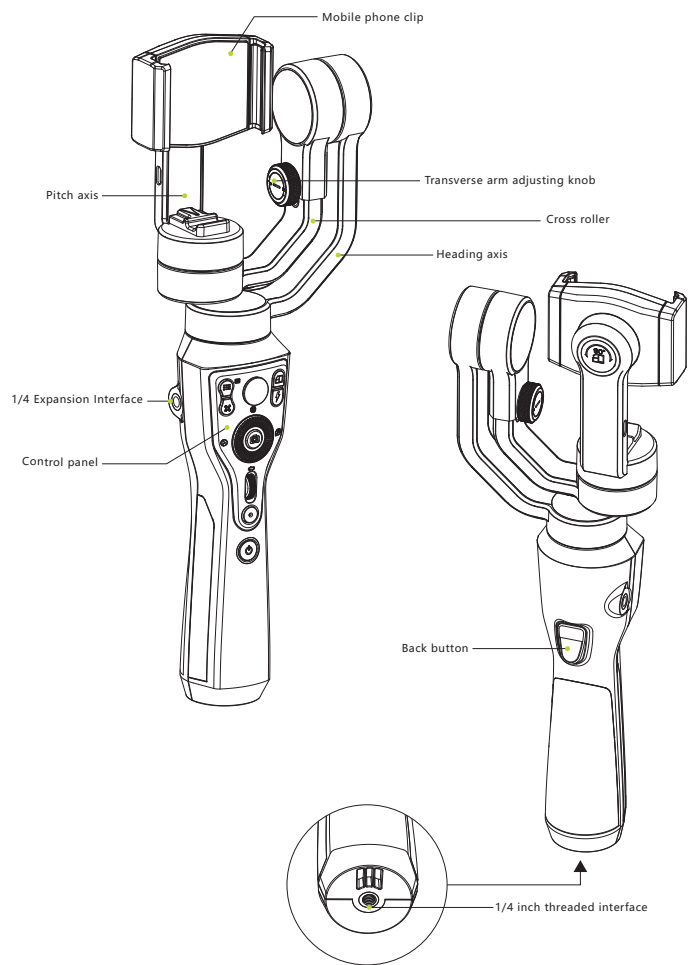
■ USB charging line



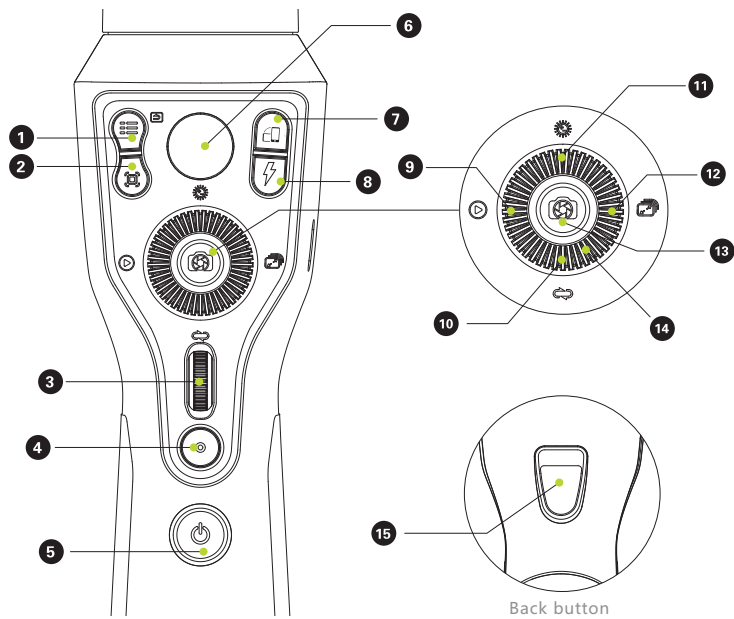
■ Instructions

● Before using this product, please carefully check whether the product package contains all of the above. If there are any missing items, please contact CCOS or your agent.



Product overview

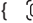


Introduction of Control Panel




Back button

- 1** Menu/Return Key {  /  }









 - In the general interface, Click to enter the parameter adjustment menu.
 - In the parameter adjustment menu, Click to return to the previous level.
- 2** selective focus {  }

 - Click on the switch wheel function.
 - When the button light is on, the zoom of the mobile phone lens can be controlled.
 - When the key lamp is off, the focus of the mobile phone lens can be controlled.
- 3** Focus dialing wheel (zoom in and out)

 - Rolling wheel can adjust focus or lens of mobile phone camera lens
 - The multiple of zoom.
- 4** record button {  }

 - Click Start or Stop Video

Introduction of Control Panel

- 5 **Power button {  }**
 - When the indicator lights up **blue**, the power consumption is **20%-100%**.
 - When the indicator lights up **red**, the power consumption is **20%-0%**.
 - Indicator lights up **blue** flashing for charging state, **blue** all bright for Complete the state of fullness.
- 6 **Universal rocker**
 - Manual universal rocker can control up-down and left-right movement of lens
- 7 **One-click horizontal and vertical screen {  }**
- 8 **Flash key {  }**
 - Turn on/off the flash
- 9 **Album Mode Key {  }**
 - Click to enter the album and look back at photos and videos
- 10 **Switch Camera Key {  }**
 - Click to switch the front and rear cameras of the mobile phone camera
 - Double-click on the triaxial to return to the original state
- 11 **Exposure compensation key {  }**
 - Click on Entry Exposure Compensation Parameter Adjustment
 - Double-click the phone lens up
- 12 **Resolution/Frame Rate Selection Key {  }**
 - Click on Resolution/Frame Rate Parameter Adjustment for Mobile Camera
- 13 **Photography and Selection Key {  }**
 - Click Photo/Select OK
- 14 **Dial wheel**
 - Rotary dial adjusts current option parameters
- 15 **Mode button**
 - Click Fully Follow
 - Follow right and left by two clicks
 - Long press for fast follow state, loosen switch for fast follow

APP Download

- You can download it at www.yg-free.com
- IOS can be downloaded through the App Store search for "yg"



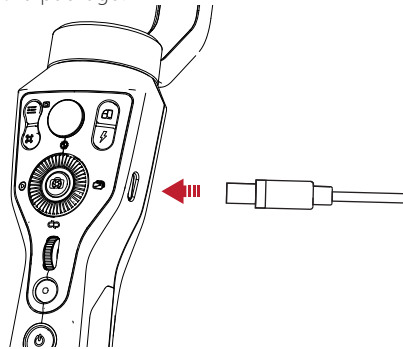
- Android can be downloaded from the following two-dimensional code



- App connection
 - 1 Turn on Bluetooth and unlock screen rotation so that the mobile phone can be displayed horizontally.
 - 2 Open APP, click "Connect Cloud" to enter the device list, and select the device to connect.
 - 3 After successful connection, automatically enter the camera.

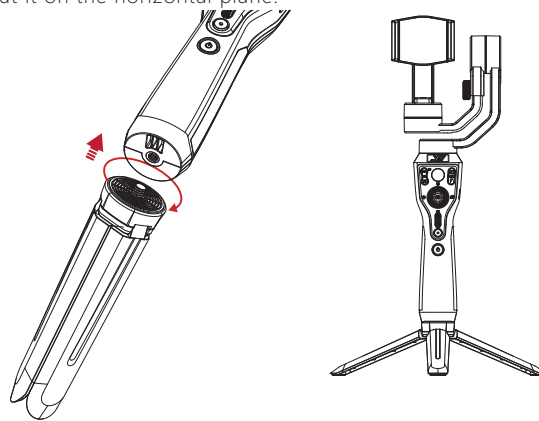
Battery and Charging Instructions

- SMART S1 uses built-in lithium batteries. Please charge SMART S1 to activate the batteries before using it for the first time. To ensure the smooth use of products.
- Charging method: Connect the adapter and stabilizer with the Type-C wire provided in the package.



■ Tripod installation:

Take out the tripod, tighten the tripod into the bottom 1/4 screw of the stabilizer, then open the tripod to stabilizer. Put it on the horizontal plane.

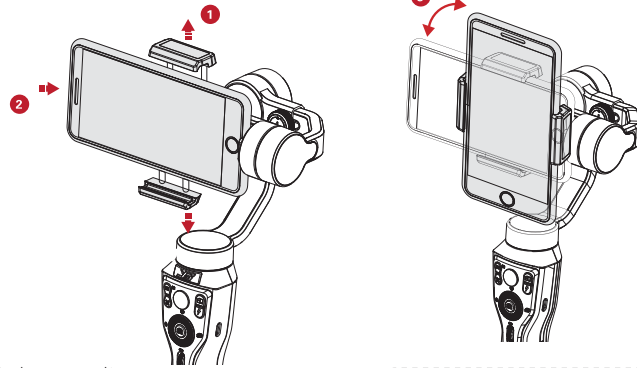


Mobile Phone Installation and Balance Adjustment

■ Mobile installation:

- 1 Open the phone clip in the direction shown
- 2 Install the mobile phone and ask the right side of the mobile phone to cling to the mobile phone bracket
- 3 Then turn the clip directly to adjust the direction of the vertical and horizontal racket.

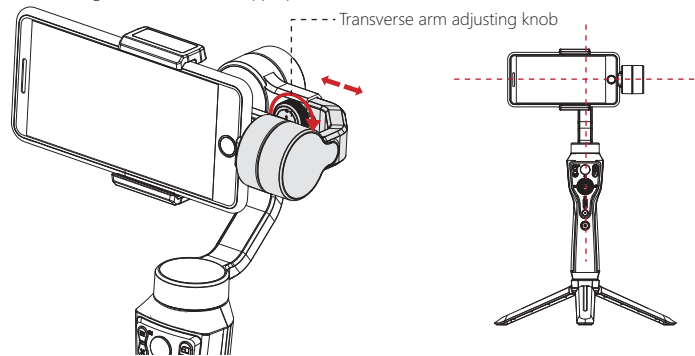
- ⚠ Do not turn on the phone until it is loaded.
- Make sure the mobile phone's rear camera is in the cloud. Outside of the platform, ensure that normal use is not affected.



■ Balance adjustment:

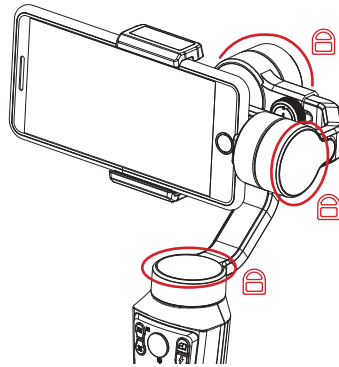
Loosen the knob of the arm adjustment, move the pitch axis motor to the left or right, so that when the stabilizer is placed in the following figure, the mobile phone keeps the left and right horizontal motions, indicating that the balance is appropriate.

- ⚠ The balance state of the mobile phone has a great influence on the lifetime of the stabilizer. When the mobile phone is unbalanced, the stabilizer can work, but the motor will consume more electricity and the torque used for stabilization will be reduced.

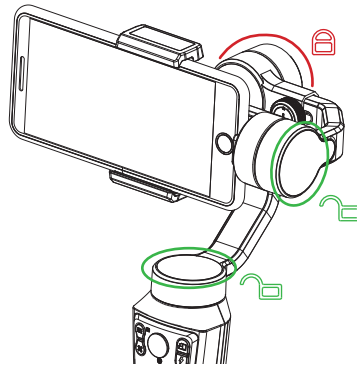


Introduction of Operation Mode

- **Completely fixed mode:**
All three motors are locked, and the camera lens will always keep the current shooting direction unchanged.

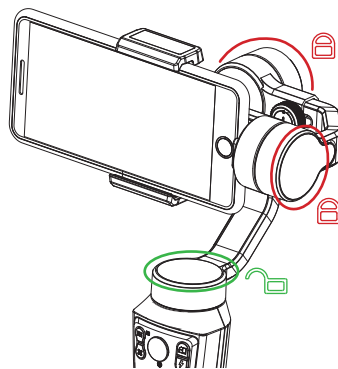


- **Follow completely:**
Roller shaft fixed, pitch axis and heading axis can move



Introduction of Operation Mode

- Semi-follow mode:
Both the roll and pitch axes are fixed, and the heading axle can move.

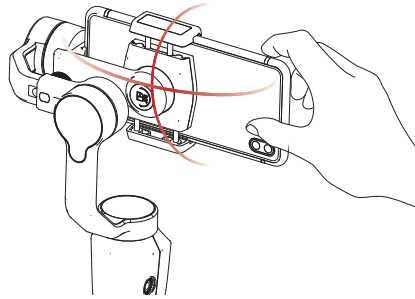


- Extreme speed mode:
Roller axis fixed, pitch axis and heading axis can move quickly

Introduction of Operation Mode

■ Manual positioning :

In course following mode and locking mode, the mobile phone can be rotated to a certain angle by hand, and the angle of the mobile phone can be fixed after loosening hands. The pitch axis angle can be manually adjusted in the course following mode and the pitch axis angle can be manually adjusted in the locking mode.



■ Charging Mobile Phones :

Using one end as the Micro USB interface and the other end as the charging line corresponding to the charging interface of the mobile phone, the stabilizer can be connected to the mobile phone to supply power for the mobile phone.

Matters needing attention

- Do not throw into fire or close to high temperature objects
 - Dropping or external force collision will damage the product. Please use it carefully.
 - Do not approach liquids or use detergents for cleaning
 - Do not disassemble, repair or refit by yourself
 - This product is not suitable for children.
- Thank you for buying Yangguo SMART S1. What is submitted in this article concerns your security and legitimacy. Rights and responsibilities. Before using this product, please read this article carefully to ensure that the product instructions and warnings have been given. Operations may cause harm to you and others around you, damaging SMART S1. Final solution of all relevant documents. The right of interpretation belongs to Guilin Zhishen Information Technology Co., Ltd. If there are any updates, you will not be notified. Please visit www.yg-free.com to get the latest product information.
- Once you use this product, you are deemed to have read the disclaimer and warning carefully. Understanding, recognition and acceptance. All terms and contents of this statement. You undertake to take full responsibility for the use of the product and its possible consequences. You undertake to use this product only for legitimate purposes, and agree to this clause and to any of the aspects formulated by Zhiyun. Regulations, policies and guidelines. Yang Guo is not responsible for the loss, injury and any legal liability caused by the direct or indirect use of products. Users should follow the application form and not be limited to all the safety guidelines mentioned in this article.
- This guideline is for reference only. The Department constitutes any kind of commitment. Please confirm the product (including color, size, etc.). Substance is the criterion. .

Warranty matters

From the date of purchase, if you find the quality problem of the machine, you can enjoy free maintenance for one year with this card, please keep this card properly.

■ Warranty Ordinance:

Within 7 days from the date of signing and receiving, the product has performance failure. You can return or exchange the goods according to the invoice price.

Within one year from the date of signature and receipt, the quality problems of the products occur, and you can enjoy free maintenance.

No self-disassembly, refitting, etc.

Provide proof of purchase

■ Non-warranty Ordinance:

Unauthorized dismantling, refitting, etc.

Damage caused by force majeure (fire, flood, etc.)

Damage caused by failure to follow instructions

Over the Warranty Period

■ Matters needing attention:

Users need to send back the defective products. After the products are received by the authorized agent or after-sales service center of Yangguo, the products will be processed. Fault detection to determine the responsibility of the problem.

If the product does not meet the free maintenance requirements after inspection, we will charge the maintenance cost according to the nature of the problem. user You can choose to repair or return the original.

Users are required to send random purchase invoices and warranty cards; (Note: the warranty card must be stamped by the seller before it can take effect; the warranty card does not. Must be altered, otherwise regarded as invalid certificate.

Yang Guo has the right of final interpretation.

FCC Warning

FCC Warning

This device complies with part 15 of the FCC Rules. Operation is subject to the following two conditions:

- (1) This device may not cause harmful interference, and
- (2) this device must accept any interference received, including interference that may cause undesired operation.

Any Changes or modifications not expressly approved by the party responsible for compliance could void the user's authority to operate the equipment.

Note: This equipment has been tested and found to comply with the limits for a Class B digital device, pursuant to part 15 of the FCC Rules. These limits are designed to provide reasonable protection against harmful interference in a residential installation. This equipment generates uses and can radiate radiofrequency energy and, if not installed and used in accordance with the instructions, may cause harmful interference to radio communications. However, there is no guarantee that interference will not occur in a particular installation. If this equipment does cause harmful interference to radio or television reception, which can be determined by turning the equipment off and on, the user is encouraged to try to correct the interference by one or more of the following measures:

- ▶ -Reorient or relocate the receiving antenna.
- ▶ -Increase the separation between the equipment and receiver.
- ▶ -Connect the equipment into an outlet on a circuit different from that to which the receiver is connected.
- ▶ -Consult the dealer or an experienced radio/TV technician for help.

The device has been evaluated to meet general RF exposure requirement. The device can be used in portable exposure condition without restriction