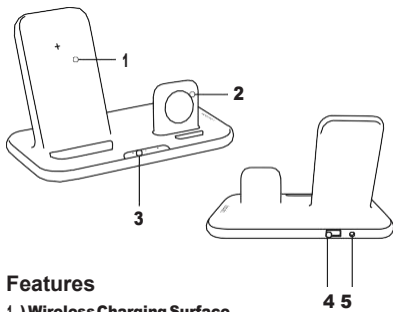


ubiolabs

Wireless Charging Stand For iPhone® and Apple Watch®

User Manual and Safety Instructions

Wireless Dock Features



Features

- 1) Wireless Charging Surface
- 2) Apple Watch Charging Module
- 3) LED Charge Indicators
- 4) USB-A Output
- 5) DC Power In

Technical Specifications

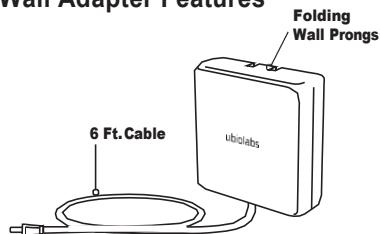
Model: AWC1065SG
Input: 15V DC, 2.5A
Output (Wireless): 5-10W
Output (Magnetic Charger): 5W
Output (USB-A): 5V DC, 2.4A 12W
Charge Indicators: White/amber LED indicator*
Dimensions: 180mm x 110mm x 90mm (7.0 x 4.3 x 3.5 in)
Weight: 300 g (10.6 oz)

Your wireless stand is designed to provide optimal power delivery for your wireless device:

- 10W Qi certified fast charging for Samsung Galaxy S6 and later, Samsung Note5 and later, Motorola, LG
- 7.5W wireless charging for iPhone 8 and later
- 5W wireless charging for other compatible devices
- All Apple Watch® Models
- Wireless Charging Case for AirPods® and AirPods Pro™

iPhone, AirPods, AirPods Pro, Wireless Charging Case, and Apple Watch are trademarks of Apple Inc., registered in the U.S. and other countries.

Wall Adapter Features



Technical Specifications

Model: CHG1151SG
Input: AC 110-240V, 50-60 Hz, 0.8A
Output: 37W, DC 15V, 2.5A
Dimensions: 58 x 58 x 27 mm (2.3 x 2.3 x 1.1 in)
Weight: 139 g (4.9 oz)

DO NOT RETURN TO THE STORE

Our customer service team is here to help.

Model: AWC1065SG
WCB168/169/170/171

www.ubiolabs.com
support@ubiolabs.com
1-866-642-4428
(Monday - Friday 9am - 4:30pm PST)
2821 Northup Way, Suite 250
Bellevue, WA 98004

SAVE THESE INSTRUCTIONS

Warranty

At Ubio Labs, we are dedicated to designing and manufacturing products with superior performance and 100% customer satisfaction. All of our products come with a 1 year limited warranty from date of purchase.

We are always improving our products' features and functionality. We reserve the right to change product specifications at any time without notice.

IMPORTANT, RETAIN FOR FUTURE REFERENCE: READ CAREFULLY

Important Safety Instructions

This device complies with Part 15 of the FCC Rules. Operation is subject to the following two conditions: (1) this device may not cause harmful interference, and (2) this device must accept any interference received, including interference that may cause undesired operation.

Caution: The user is cautioned that changes or modifications not expressly approved by the party responsible for compliance could void the user's authority to operate the equipment.

Note: This equipment has been tested and found to comply with the limits for a Class B digital device, pursuant to part 15 of the FCC Rules. These limits are designed to provide reasonable protection against harmful interference in a residential installation. This equipment generates uses and can radiate radio frequency energy and, if not installed and used in accordance with the instructions, may cause harmful interference to radio communications. However, there

is no guarantee that interference will not occur in a particular installation. If this equipment does cause harmful interference to radio or television reception, which can be determined by turning the equipment off and on, the user is encouraged to try to correct the interference by one or more of the following measures:

- Reorient or relocate the receiving antenna.
- Increase the separation between the equipment and receiver.
- Connect the equipment into an outlet on a circuit different from that to which the receiver is connected.
- Consult the dealer or an experienced radio/TV technician for help.

This device complies with Industry Canada licence-exempt RSS standard(s). Operation is subject to the following two conditions: (1) This device may not cause interference, and (2) This device must accept any interference, including interference that may cause undesired operation of the device.

Le présent appareil est conforme aux CNR d'Industrie Canada applicables aux appareils radio exempts de licence. L'exploitation est autorisée aux deux

conditions suivantes: (1) l'appareil ne doit pas produire de brouillage, et (2) l'utilisateur de l'appareil doit accepter tout brouillage radioélectrique subi, même si le brouillage est susceptible d'en compromettre le fonctionnement

The device has been evaluated to meet general RF exposure requirement. To maintain compliance with RSS102—Radio Frequency (RF) Exposure guidelines, this equipment should be installed and operated with a minimum distance of 20cm between the radiator and your body.

Cet équipement est conforme aux limites d'exposition de rayonnement d'IC RSS-102 déterminées pour un environnement non contrôlé. Cet équipement devrait être installé et actionné avec la distance minimum 20 cm entre le radiateur et votre corps.

* A blinking amber LED indicates a foreign object has been detected (metal objects like keys, coins, magnets, etc.) and the device is automatically turned off to ensure safety. Removal of foreign object and proper alignment of phone will result in normal operation.