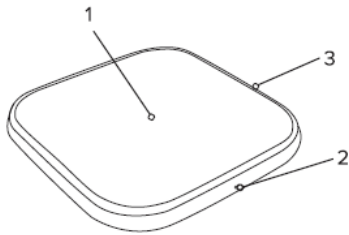


ubiolabs

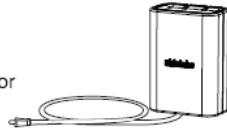
Wireless Charging Pad
Station de chargement
sans fil

User Manual &
Safety Instructions
Manuel de l'utilisateur et
directives de sécurité



Features

- 1 - Qi Wireless Surface
- 2 - LED Charge Indicator
- 3 - DC Power In



Technical Specifications

Model: AWC1043AW
Input: DC 15V / 1.2A
Output: Qi 10W / 7.5W / 5W
Compatibility: iPhone® Xs Max, iPhone Xs, iPhone XR, iPhone 8, iPhone 8 Plus, Wireless Charging Case for AirPods®. Also supports up to 10W for Qi-enabled devices.
Charge Indicator: White/amber LED indicator
Dimensions: 3.5 x 3.5 x 0.41 inches
Weight: 6.3 oz.
Model: CHG1068
Input: AC 110-240V, 50-60 Hz
Output: 18W 9V/2A
Dimensions: 2.36 x 1.77 x 1.18 inches
Weight: 4.05 oz

Warranty

At Ubio Labs, we are dedicated to designing and manufacturing products with superior performance and 100% customer satisfaction. All of our products come with a 1 year limited warranty from date of purchase.

At Ubio Labs, we are always improving our products' features and functionality. We reserve the right to change specifications at any time without notice.

Apple, iPad Pro, and iPhone are a trademark of Apple Inc., registered in the U.S. and other countries.

DO NOT RETURN TO THE STORE

Our customer service team is here to help.

www.ubiolabs.com
support@ubiolabs.com
1-866-642-4428
(Monday - Friday 9am - 4:30pm PST)
2821 Northup Way, Suite 250
Bellevue, WA 98004

SAVE THESE INSTRUCTIONS

Important Safety Instructions

WARNING - When using this product, basic precautions should always be followed, including the following:

- a) Read **all** manufacturers instructions before using this product.
- b) To reduce the risk of injury, close supervision is necessary when the product is used near children.
- c) Do not put fingers or hands into the product.
- d) Do not expose wireless pad to moisture, rain, or snow.
- e) Use of a power supply or charger not recommended or sold by wireless pad manufacturer may result in a risk of fire or injury to persons.
- f) Do not use the wireless pad in excess of its output rating. Overloaded outputs above rating may result in a risk of fire or injury to persons.
- g) Do not disassemble the wireless pad. Take it to a qualified service person when service or repairs are required. Incorrect reassembly may result in a risk of fire or injury to persons.
- h) Do not expose the wireless pad to fire or excessive temperature. Exposure to fire or temperature above 122°F may cause explosion. The wireless pad's working temperature is $\leq 104^{\circ}\text{F}$.
- i) Have service performed by a qualified repair person using **only** identical replacement parts. This will ensure that the safety of the product is maintained.

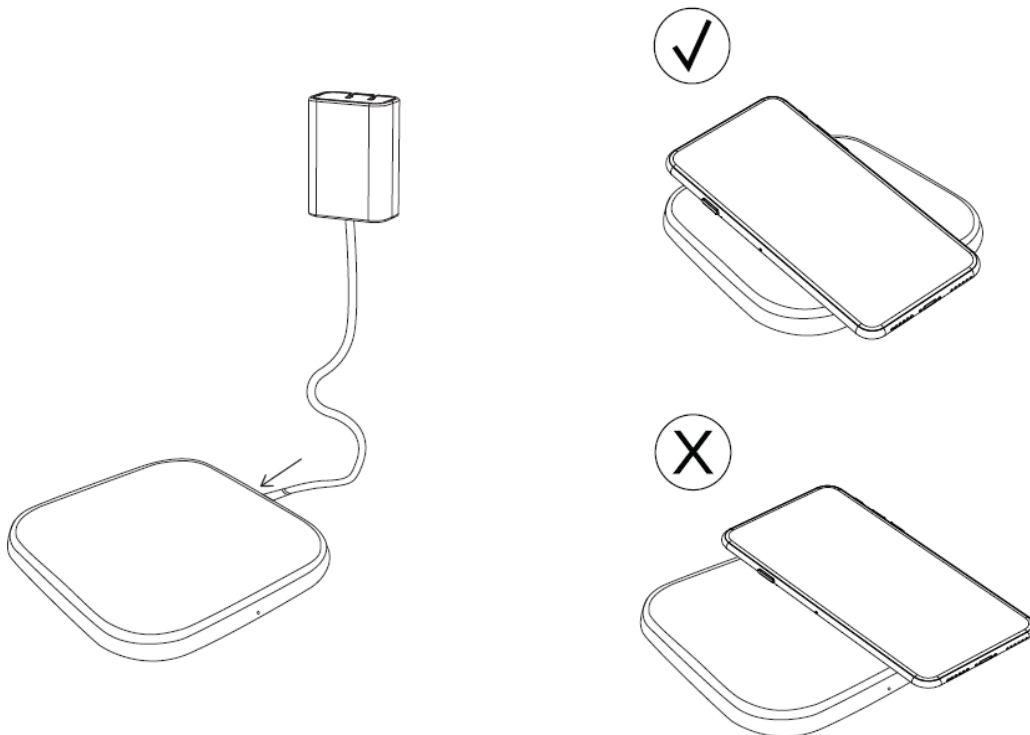
Quick Start

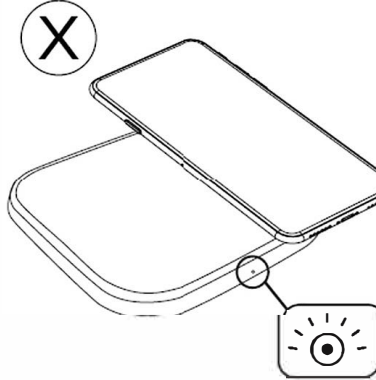
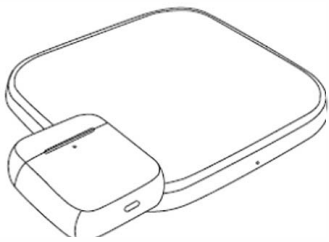
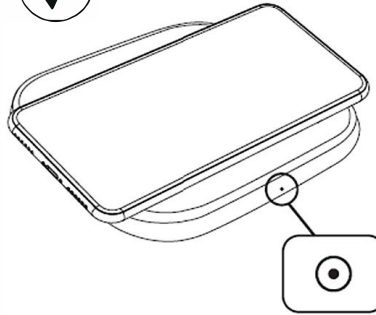
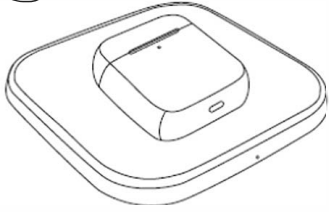
ubiolabs

Wireless Charging Pad
Chargeur sans fil

Quick Start Guide

Guide de démarrage rapide





We Are Here To Help

1-866-642-4428

support@ubiolabs.com

www.ubiolabs.com

2821 Northup Way, Suite 250

Bellevue, WA 98004

FCC ID:2ATGY-AWC1043, IC:25088-AWC1043

FCC

This device complies with Part 15 of the FCC Rules. Operation is subject to the following two conditions: (1) this device may not cause harmful interference, and (2) this device must accept any interference received, including interference that may cause undesired operation.

Caution: The user is cautioned that changes or modifications not expressly approved by the party responsible for compliance could void the user's authority to operate the equipment.

Note: This equipment has been tested and found to comply with the limits for a Class B digital device, pursuant to part 15 of the FCC Rules. These limits are designed to provide reasonable protection against harmful interference in a residential installation. This equipment generates uses and can radiate radio frequency energy and, if not installed and used in accordance with the instructions, may cause harmful interference to radio communications. However, there is no guarantee that interference will not occur in a particular installation. If this equipment does cause harmful interference to radio or television reception, which can be determined by turning the equipment off and on, the user is encouraged to try to correct the interference by one or more of the following measures:

- Reorient or relocate the receiving antenna.
- Increase the separation between the equipment and receiver.
- Connect the equipment into an outlet on a circuit different from that to which the receiver is connected.
- Consult the dealer or an experienced radio/TV technician for help.

FCC RF Radiation Exposure Statement:

This equipment complies with FCC radiation exposure limits set forth for an uncontrolled environment. This equipment should be installed and operated with a minimum distance of 20cm between the radiator and any part of your body.

FCC Supplier' s Declaration of Conformity

Product name:Wireless Charging Pad

MODEL NUMBER: AWC1043, AWC1043AW, AWC1043SG, AWC1043XX

(X would be any Arabian number or English letter or blank)

This device complies with part 15 of the FCC Rules. Operation is subject to the following two conditions:

(1) This device may not cause harmful interference, and (2) this device must accept any interference received, including interference that may cause undesired operation.

Ubio Labs, Inc.

2821 Northup Way, Suite 250, Bellevue, WA 98004, USA

1-866-642-4428

support@ubiolabs.com

IC

This device contains licence-exempt transmitter(s)/receiver(s) that comply with Innovation, Science and Economic Development Canada's licence-exempt RSS(s). Operation is subject to the following two conditions:

- (1) This device may not cause interference; and
- (2) This device must accept any interference, including interference that may cause undesired operation of the device.

Le présent appareil est conforme aux CNR d'Industrie Canada applicables aux appareils radio exempts de licence. L'exploitation est autorisée aux deux conditions suivantes : (1) l'appareil ne doit pas produire de brouillage, et (2) l'utilisateur de l'appareil doit accepter tout brouillage radioélectrique subi, même si le brouillage est susceptible d'en compromettre le fonctionnement.

This equipment complies with IC RSS-102 radiation exposure limits set forth for an uncontrolled environment. This equipment should be installed and operated with a minimum distance of 20cm between the radiator and any part of your body.

Pour se conformer aux exigences de conformité CNR 102 RF exposition, une distance de séparation d'au moins 20 cm doit être maintenue entre l'antenne de cet appareil et toutes les personnes.