

## Antenna specification

### Antenna Sample Confirmation From

<b>Name of supplier</b>	ShenZhen Aihui Technology Co. , Ltd				
<b>Customer name</b>	Corkin Ming				
<b>Sample name</b>	2218				
<b>model</b>	FPC				
<b>Sample size</b>	(1.13) black, 100mm long. (Generation 1 terminal)				
<b>Inspection item</b>	<b>Performance test</b>	<b>Visual inspection</b>	<b>Structure</b>	<b>In the news</b>	<b>Test results</b>
<b>Notes</b>					
<b>Quality Audit</b>		<b>Project Audit</b>		<b>Business confirmation</b>	
<b>The following is to be completed by the client</b>					

# Shenzhen Aihui Technology Co. , Ltd.

Customer feedback	
Customer signature/seal	date:

## Antenna Test Report

Test Unit: Shenzhen Aihui Technology Co. , Ltd.			
Materials	FPC coaxial line		
Antenna type	MonopoleType	Polarization mode	Linear
Application scenario			

Address: 402TEL: 0755-23203435fax: 0755-23203435, Block C, Juxin Science and  
Technology Industrial Park, Nanchang community, xixiang, Baoan District, Shenzhen

# Shenzhen Aihui Technology Co. , Ltd.

Working band	2400Mhz-2500Mhz	VSWR	≤2
Power	Max : 2W	Impedance	50Ω
dBi	≥1.0dBi		
Test Equipment	HPE5071C、Shielding Room、3D automatic turntable		
<p><b>Antenna Description: :</b></p> <p><b>1. Grounding processing and picture description: no</b></p> <p><b>2. Need to change the motherboard to match: no</b></p> <ul style="list-style-type: none"><li>● Test voltage: 3.6V, check the antenna contact is good before testing.</li><li>● The RF cable of the integrated tester is kept in a natural state and can not be curled.</li></ul> <p>Specification:test the specified power level, all indicators must conform to the specifications.</p>			

1. Project Image

2. Test Fixture

3. Antenna matching circuit

4. S11 test

5. Antenna passive efficiency and gain

6. Darkroom test equipment and data

7. Schematic diagram of antenna assembly

8. Antenna environment handling

9. Antenna mass production index

10. Structural drawing

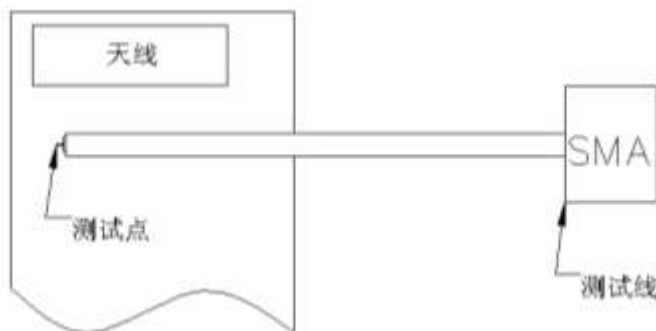
## 1. Project Image

The final verification antenna performance prototype in our company for at least one year, easy to analyze and solve the problem of antenna mass production, to ensure the quality of antenna shipment

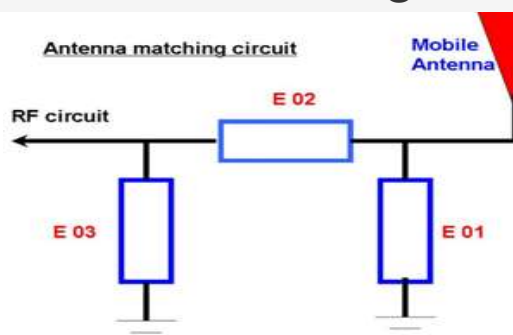
## 2. Test Fixture

Objective: to test the passive parameters of antenna as accurately as possible. Making

Method: the handset is made of a 50 ohm coaxial cable, one end of which is connected to the test point of the back end of the matching circuit of the handset motherboard (front end of the RF test hole) , and the other end is connected to the SMA joint. The diagram is as follows:



## 3. Antenna matching circuit



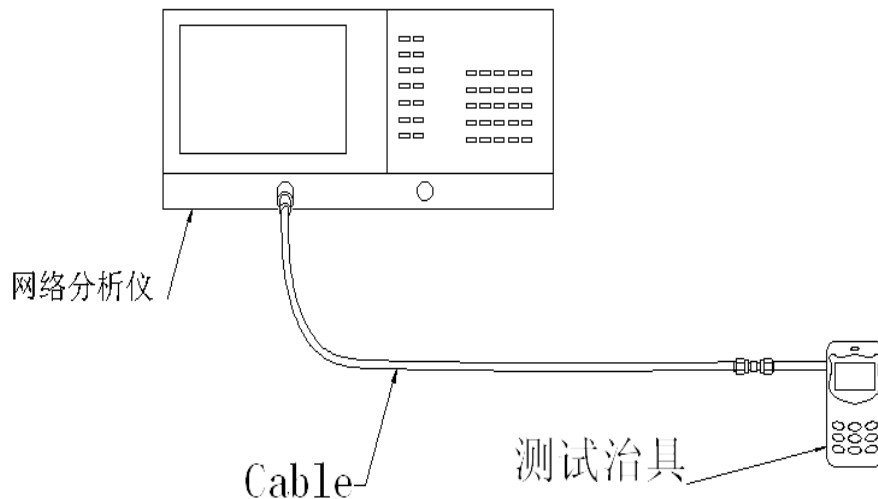
**Modify**

E01	E02	E03
No	No	No

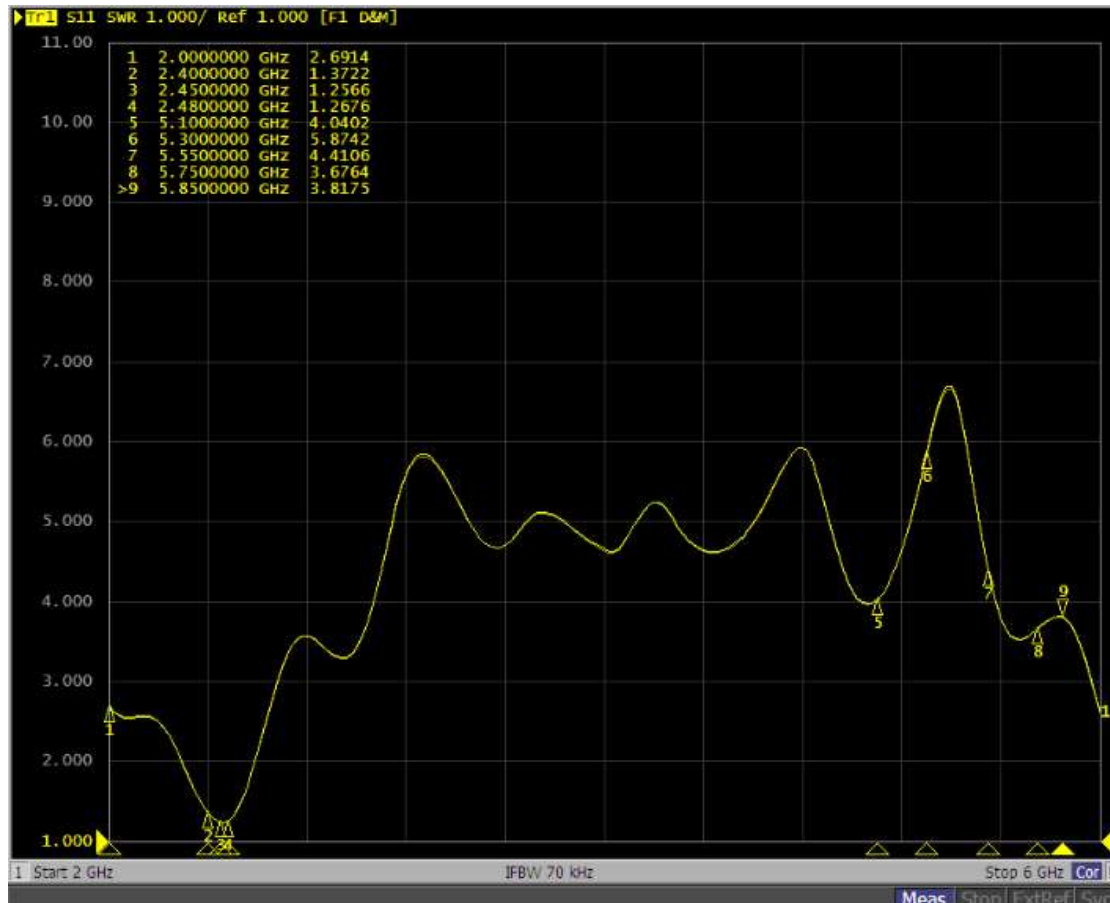
Note: The match is unmodified.

## 4.S11 test

4.0 4.0s11 test method description of test equipment: Network Analyzer (E5071C) test method: a 50 ohm CABLE is used to export from the instrument test port. The SMA connector for connecting the handset is calibrated using a calibration piece, record the echo loss and standing wave ratio corresponding to the relevant frequency points. The test schematic is as follows:



## 4.1 SWR



Frequency	2400	2450	2500
Mhz			
Standing wave ratio	1.3	1.2	1.2

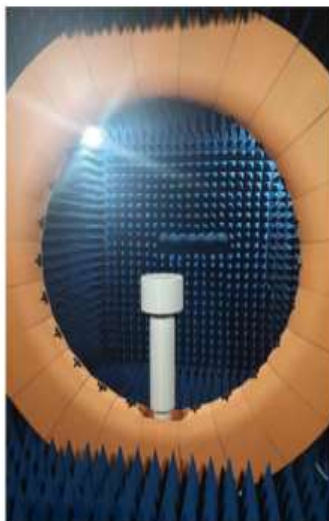
## 5. Darkroom test equipment and data

### 6. Test Equipment

Test system: shielded darkroom

The temperature was  $22^{\circ}\text{C} \pm 3^{\circ}\text{C}$  and the humidity was  $50\% \pm 15\%$

Test equipment: when testing passive data, use the Network analyzer AGILENTE5071C to test active data, use the omnibus CMW500





## 7.Active antenna test data

Frequency Band	WIFI 2.4G/B			WIFI 2.4G/G		
channel	L	M	H	L	M	H
TRP	11.4	12.9	11.2	10.5	10.6	10.8
TIS			-78.2			-66.3

Frequency Band	WIFI 2.4G/N					
channel	L	M	H			
TRP	10.5	10.5	10.3			
TIS			-62.5			

# Shenzhen Aihui Technology Co. , Ltd.

WIFI 2.4G		
Freq(MHz)	Efficiency (%)	Gain (dBi)
2400	58.4	1.12
2410	59.5	1.05
2420	60.2	1.31
2430	51.5	0.98
2440	53.5	0.88
2450	51.5	0.74
2460	59.6	0.95
2470	58.7	1.04
2480	59.3	1.21
2490	60.2	1.30
2500	61.4	1.25

8.Schematic diagram of antenna assembly

/

9.Antenna environment handling

/

10.Antenna mass production index

<p>When the antenna is mass-produced, the standing wave ratio is taken as the mass-produced test standard. Based on the differences of the project itself, the following criteria are given:</p>	<p><b>Standard for volume production</b></p>
<p>2400 MHZ -25000MHZ</p>	<p><b>VSWR (Mass Production performance) &amp; LT; VSWR(recognition performance) 0.5</b></p>

## 10. Structural drawings

