

BIGASUO

B-141K

USER MANUAL



Please read this manual before operating your Wi-Fi Cloud Photo Frame, and keep it for further reference.

BIGASUO

Instruction ManualEnglish1-20

取扱説明書日本語21-40

Table of Contents

CONTENTS OF BOX	4
FRAME FEATURES	5
GETTING STARTED	6
OURPHOTO APP	7
BIND YOUR FRAME	9
UPLOAD PHOTOS AND VIDEOS	12
DELETE PHOTOS AND VIDEOS	15
MAIN MENU	16
FAQ	18
CONTACT US	20

ACTIVATE YOUR 12 MONTH WARRANTY & GET EXCLUSIVE GIFT

PLEASE CONTACT US NOW

CUSTOMER SERVICE



 us-frame@bigasuo.co.uk

NOTE

1. Please place the WiFi photo frame in the area with strong WiFi signal.
2. Supports max 32GB Micro-SD card.
3. Supports max 30 seconds video sending.

A Big Thank You

We're thrilled that you have chosen to purchase the digital photo frame.

At BIGASUO,

we're committed to providing you with products that enhance your daily life.

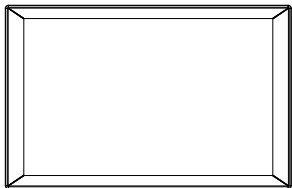
We also aim to give our customers excellent support.

Should you have any questions or feedback about your new product, simply get in touch with our customer support team by E-mail at

us-frame@bigasuo.co.uk

Enjoy your new product!

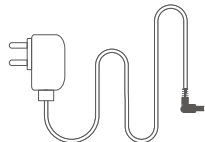
CONTENTS OF BOX



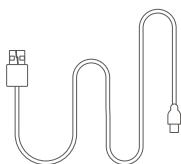
Wi-Fi Cloud Photo Frame



Stand



Power Adapter with
Power Cable

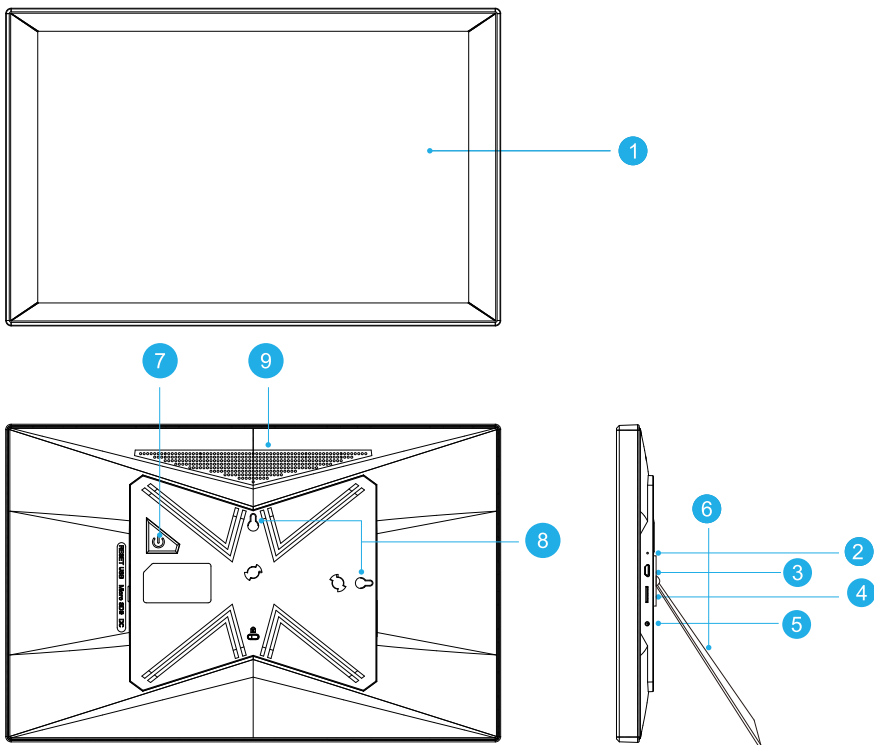


USB Data Cable



User Manual

FRAME FEATURES



1. 14.1 IPS Touch Screen

2. Reset

3. USB-A Port

4. Micro SD Card Slot

5. DC Power Port

6. Stand

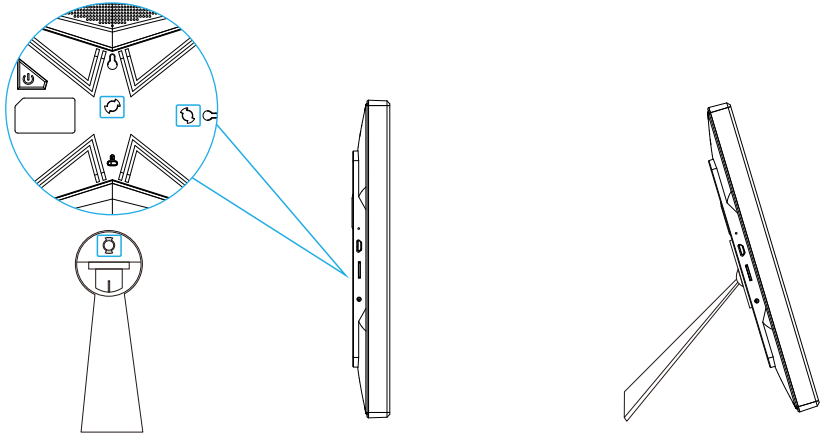
7. Power Button

8. Wall Mount Hole

9. Speakers

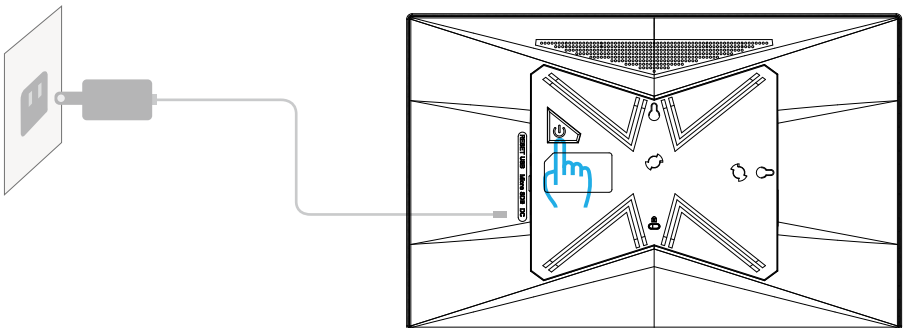
• Install the stand

Insert the frame stand on the back. You can place the frame either in landscape or portrait (we recommend you place it in landscape during the first setup). You can also mount the frame on the wall with the Wall Mount Hole on the back.



• Power on

Connect the Power Cable to your frame and plug the Power Adapter into the wall socket, the frame will enter the system in seconds.



• Initial settings

There are several initial settings (Wi-Fi, Device info, Sleep Mode, etc.) when you enter the system for the first time.

• Connect to Wi-Fi

Select the Wi-Fi network you would like to connect and enter the password if required. If your Wi-Fi network is not on the list, move your frame closer to your router, wait for seconds and check it again.

Note:

- ① Wi-Fi Cloud Photo Frame supports 2.4GHz Wi-Fi network only.
- ② Private Wi-Fi network is highly recommended.

OURPHOTO APP

• Download the OurPhoto App

Please download and install the OurPhoto App in your smartphone or tablet by searching OurPhoto in the App Store or Google Play.

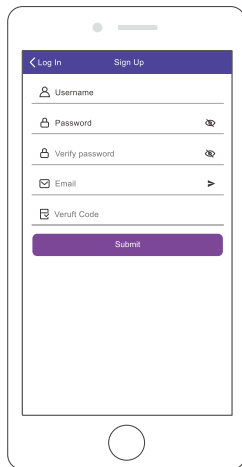
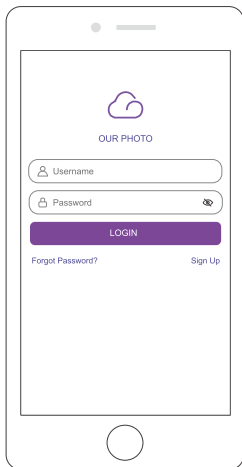


• Log in your account in the App

- ① Open OurPhoto App, select Sign Up and fill in all the required information (if you already have an account, please log in directly).
- ② Click the right arrow icon to verify the email address you provide. A verify code is to be sent to your email address.
- ③ Collect and fill in the verify code, then click Submit to complete the account registration.

• Invite friends to download and log in the App

If your friends or families would like to share their photos and videos to your frame via App, we recommend your them download and install the OurPhoto App in their smartphones or tablets, and log in their accounts in the App (refer to step 2).



• Bind your frame with App

Following instructions are only applicable to the frame owner or the user who is the first one to bind the frame.

- ① Please confirm you have signed in OurPhoto App.
- ② Select Devices.
- ③ Click the “+” next to **My Devices**.
- ④ Enter the Frame ID.

Note: Frame ID is a 6-digit series number which can be found in your frame, Settings → Device Info.

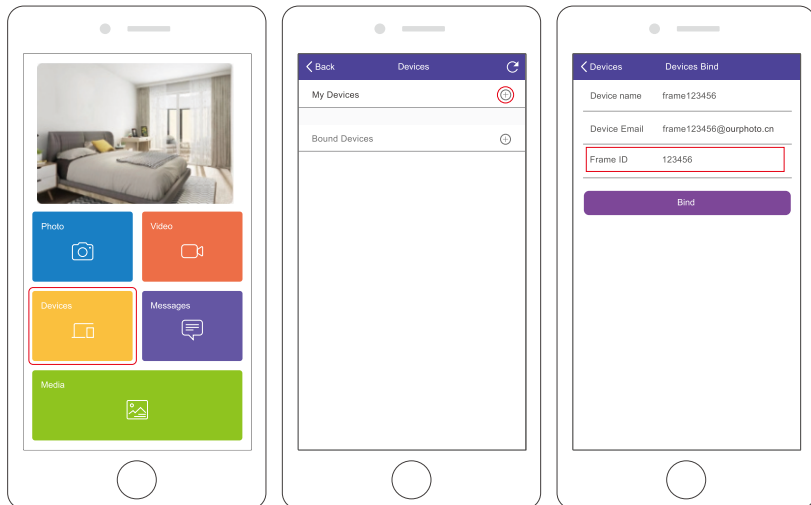
- ⑤ Create a Device Name for your frame

Note: We recommend you to name your frame after the Frame ID for easy identification, for example, Frame ID is 123456, please name your frame Frame123456.

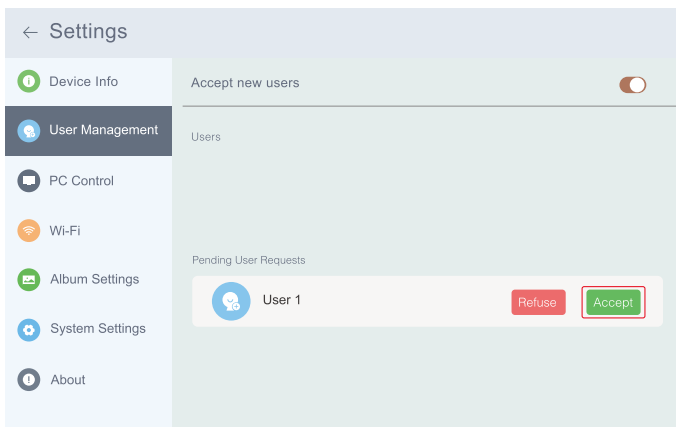
- ⑥ Create a unique email account for your frame.

Note: We recommend you to create the account with the Frame ID for easy identification, for example, Frame ID is 123456, please create such an email account frame **123456@ourphoto.cn**.

- ⑦ Then click Bind.



- ⑧ Confirm the binding request on your frame, Settings → User Management → Pending User Requests, click Accept.
- ⑨ Now this account is bound to your frame, and it will be the main account of your frame.



Note: The above screen shot is for reference, please update to the latest firmware version.

• Invite others to bind your frame with App

Following instructions are only applicable to the non-frame owner to bind the frame. And binding requires the frame owner to operate and confirm on the frame.

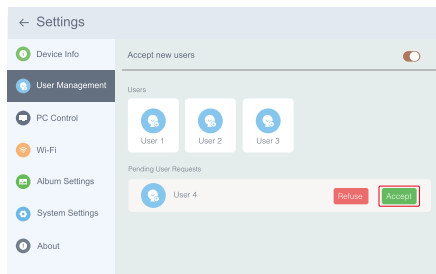
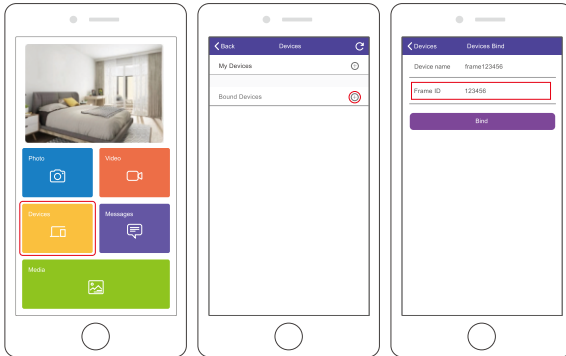
- ① Make sure your friends have downloaded the OurPhoto App and logged in their accounts in the App.
- ② On their way, operate in the App with their accounts, select Devices → Bound Devices, then click “+”.
- ③ Enter the Frame ID.

Note: Frame ID is a 6-digit series number which can be found in your frame, Settings → Device Info. Please inform this Frame ID to your friends.

- ④ Create a Device Name for the frame.

Note: We recommend your friends to name the frame after the Frame ID for easy identification, for example, Frame ID is 123456, please name the frame Frame123456.

- ⑤ Then click Bind.
- ⑥ On your way, you confirm the binding request on your frame, Settings → User Management → Pending User Requests, click Accept.
- ⑦ You can find the bound users in User Management interface.



Note: The above screen shot is for reference, please update to the latest firmware version.

• Bind your frame with Email

You and your friends can also bind your email accounts to the frame, so that you can share photos to the frame via email.

- ① Send an email with the subject “bd + Frame ID” to the email account of your frame (the one you created when you bound your frame). For example, Frame ID is 123456, thus send an email with the subject “bd123456” to the email account of your frame.
- ② Wait for seconds, you will receive a confirm email from OurPhoto team, and your email account is successfully bound to the frame. You can also find the bound email accounts in User Management interface.

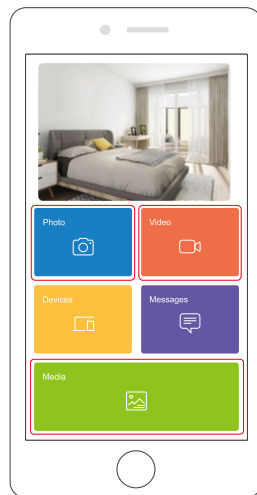
UPLOAD PHOTOS AND VIDEOS

• Upload photos and videos via App

- ① Open OurPhoto App and log in your account. Make sure you have bound your account to your frame.
- ② Click Media to upload your photos or videos in your smartphone or tablet. Select the photos or videos you would like to upload, and choose the frame you would like to send to. Click the right arrow icon to confirm.
- ③ Click Photo or Video to take new photos or videos, and choose the frame you would like to send to. Click the right arrow icon to confirm.
- ④ Your photos or videos will be received in seconds, you can check the photo or video library on the frame.

Note:

- Video clip is limited to 30 seconds or 100MB.
 - The App support sending Full Image to the frame.
- Please check your App version is 1.1.94 (IOS)/ 1.0.4 (Android) or above.
- OurPhoto App only provides 10GB free data traffic for uploading photos and videos, please go to the OurPhoto website and top up the data traffic if needed.
- Top-up link: <https://well.bsimb.cn/recharge/index>

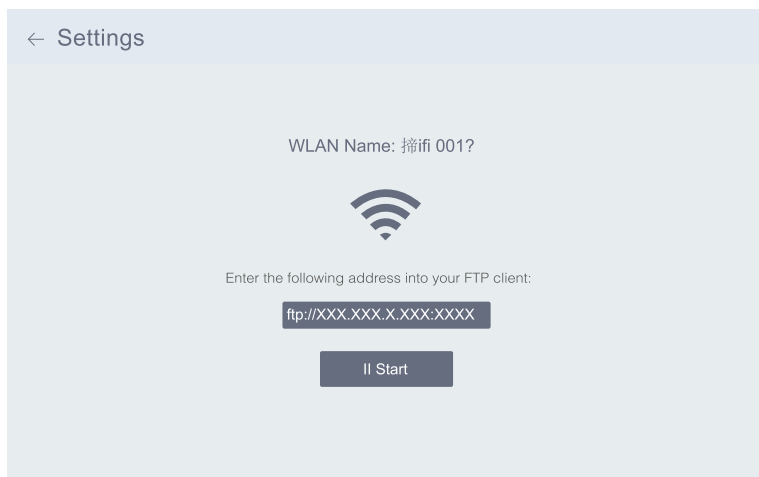


• Upload photos via Email

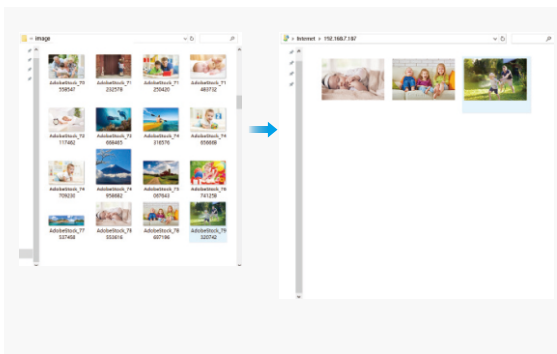
Send an email with photos attached to the email address of the frame. Your photos will be received in seconds, you can check the photo or video library on the frame. Note: Videos cannot be uploaded via email.

• Upload photos and videos via computer

- ① Make sure your frame and computer are in the same Wi-Fi network.
- ② On your frame, enter the PC Control interface, Settings → PC Control. Click Start button, you will find an FTP address in the screen.
- ③ On your computer, open File Explorer. In the File Explorer, enter the FTP address in the address bar.
- ④ Then you can drag and drop the photos and videos in the computer that you would like to transfer to the folder showed up.
- ⑤ Click Stop on the frame to end PC connecting and uploading.
- ⑥ Your photos or videos will be received in seconds, you can check the photo or video library on the frame.



Note: The above screen shot is for reference, please update to the latest firmware version.



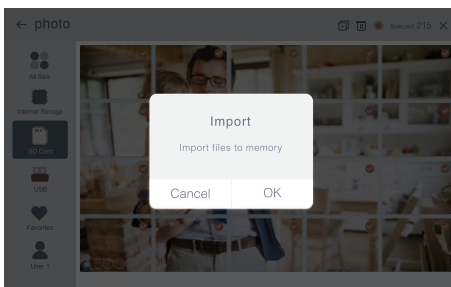
UPLOAD PHOTOS AND VIDEOS

• Upload photos and videos via USB drive

- ① Insert USB drive into the frame, and wait for seconds, the frame will let you know when the USB drive is successfully connected.
- ② Enter Photo or Video library, click USB and you will see all the photos or videos stored in the USB drive.
- ③ Click More icon at the right upper corner, and select the photos or videos you would like to import to the internal memory of the frame.
- ④ Click Share icon at the top then choose OK to import the photos or videos.
- ⑤ Your photos or videos will be received in seconds, you can check the photo or video library on the frame.

Note:

- If you have too many files stored in the USB drive, it will take more time to read.
- The system will protect and lock the USB drive if there is no action after the USB drive has been inserted for a while. To activate it, you need to take it out and insert again.
- Please remove all your external devices when you reset the photo frame.



Note: The above screen shot is for reference, please update to the latest firmware version.

• Upload photos and videos via SD card

- ① Insert SD card into the frame, and wait for seconds, the frame will let you know when the SD card is successfully connected.
- ② Enter Photo or Video library, click SD card and you will see all the photos or videos stored in the SD card.
- ③ Click More icon at the right upper corner, and select the photos or videos you would like to import to the internal memory of the frame.
- ④ Click Share icon at the top then choose OK to import the photos or videos.
- ⑤ Your photos or videos will be received in seconds, you can check the photo or video library on the frame.

Note:

- Max support 32GB SD card.
- If you have too many files stored in the SD card, it will take more time to read.
- The system will protect and lock the SD card, if there is no action after the SD card has been inserted for a while. To activate it, you need to take it out and insert again.
- Please remove all your external devices when you reset the photo frame.

• Delete files in Photo or Video library

- ① Enter Photo or Video library and choose Internal Storage, you will see all the photos or videos stored in the internal memory.
- ② Click More icon at the right upper corner, and select the photos or videos you would like to delete from your frame.
- ③ Click Delete icon at the top then choose OK to delete the photos or videos.

• Delete files on slideshow

- ① During the photos or videos are displayed on the screen, click the photos or videos you would like to delete.
- ② Click Delete icon on the menu below, then choose OK to delete the photos or videos.

• Delete files in Album Settings

Delete all the photos from internal storage.

• Device Info

You can find the Frame ID and App download information.

• User Management

Turn on/off the Accept New Users button to receive or reject new user requests. You can see and manage the bound users under the Users. Click the account you want to manage, and a submenu will allow you to view the account's photos, remark name, delete user and delete user & photos.

Accept or refuse the New User Requests under the Pending User Requests.

• PC Control

Wi-Fi connection status is shown on the screen. To activate the PC Control function and upload files from computer, make sure your frame and your computer are in the same Wi-Fi network.

Click Start and enter the FTP address on your computer to upload files (please refer the Upload Photos and Video instruction before), and click Stop to end.

• Wi-Fi

You can choose the Wi-Fi network you would like to connect on the list.

• Album Settings

1. Full Screen

Turn on the button to make the photo displayed in full screen.

2. Slideshow

You can set Slideshow time to make the frame automatically displays photos after a period time of inactivity.

3. Slideshow Mode

You can choose either Sequential or Random mode to display photos.

4. Slideshow Interval

You can set Slideshow Interval to adjust the duration of each photo displays.

5. Slideshow Transition Effect

You can choose the effect of slideshow transition.

6. Delete Photos

Delete all the photos from internal storage.

7. Restore default settings

It will remove all your user info, settings and files on your frame.

• System Settings

1. Sound

You can adjust the Media Volume as you like.

2. Display

① Brightness

You can adjust the Brightness as you like.

② Suspended ball

Turn on this button, a suspended ball will appear on the screen. It is a quick navigation key to help you easily go to Home page and adjust the volume.

③ Auto-rotate screen

Turn on this button, the display will automatically adjust to either landscape or portrait position according to the frame placement.

3. Date and Time

You can set date and time according to your preference.

4. Language

Choose the system language. English, Français, Deutsch, Italiano, Español, 日本語

5. Auto On & Off

You can set the Auto-On/Off time to make the frame automatically on and off.

6. Factory data reset

Click Reset Device to erase all the data in your frame.

• About

You can find all the related information about this frame.

Note: Please update the system as soon as possible when the frame receives system updates notification.

1. Do I have to keep this photo frame plugged all the time?
Yes, you have to keep it plugged in to keep the frame on as it has no built-in battery.
2. Does this frame have to be Wi-Fi connected to work or just in the setup process?
This frame needs to connect to a Wi-Fi network for setup, receiving new photos/ videos, receive user requests and software updates. Other than that, the frame can only play the photos/videos without Wi-Fi connection.
3. Why this frame cannot connect to Wi-Fi?
It supports only 2.4GHz Wi-Fi network, select the Wi-Fi network you would like to connect and enter the password correctly if required. If your Wi-Fi network is NOT on the list, move your frame closer to your router or restart your frame, wait for seconds and check it again.
4. Can this frame be hanged on the wall?
You can hang it on the wall by the wall mount hole on the back.
5. Can I place the frame in portrait or landscape position?
It can be positioned landscape or portrait after the Auto-rotate setting is on.
6. Where can I find the Frame ID?
Frame ID is a 6-digit series number which can be found in your frame, Settings → Device Info.
7. Why I cannot bind my frame via App?
If you are the frame owner or the first to bind the frame, please follow the instructions “Bind your frame with App” to bind the frame, if you are non-frame owner, please follow the instructions “Invite others to bind your frame with App” to bind the frame. After sending binding request from App, it requires frame owner operate on the photo frame and click “Accept” under the User Management menu. If the binding succeeds, the user account will appear on the Users.
8. How do I unbind an account?
If you would like to unbind an Email or App account, please go to the User Management menu and click the bound user you want to delete, you will see there is an option for deleting user.
9. Can I share photos and videos to the frame?
Yes, you can share both photo and video (max 30 second or 100MB) to the frame.
10. Can I transfer photos or videos from computer?
Yes, you can transfer your files from computer by using PC Control feature, but this feature only supports Windows system now.

11. Where do the photos and video store?

All the received photos and videos will be stored in the built-in 16GB memory, it is estimated to keep over 40,000 photos of 300KB/pc. The BIGASUO server will only cache the data for 30 days, and all the photos will be encrypted and deleted after 30 days. It can enable your photo frame to receive the photos sent when the photo frame is offline.

12. How can I delete photos and videos?

Enter Photo or Video Library, click "more" button on the top. Select the photos or videos you would like to delete and click "delete".

13. Can I export the photos and videos?

You can export photos and videos via extended SD card (max support 32GB) and USB drive. After SD card or USB drive inserts in the port, you can select the photos and videos you would like to export in the library, click "share" to export your files.

14. Is it possible to manage the photos and videos in the frame remotely?

You can only manage/export/delete photos and videos in the frame directly.

15. Can I adjust the speed the photos changes?

You can choose your preferred slideshow mode, interval and transition effect in Album Settings.

16. Can this frame automatically turn on/off at a specific time?

You can enter Auto On/Off setting and set the auto on/off time as you want.

17. Can I cycle pictures and videos together? You could only play photos or videos separately.

If you cannot find the answer for your question, please contact our customer support team, thank you.

CONTACT US

Please refer to and heed all warnings and precautions in this user manual.

We provide all our WiFi cloud photo frame with a 12-MONTH warranty from the date of purchase.

For any inquiries with BIGASUO products, please feel free to contact us, we will respond within 24 hours.

E-mail: us-frame@bigasuo.co.uk

Official website: www.bigasuo.co.uk

FCC Warning

This device complies with part 15 of the FCC rules. Operation is subject to the following two conditions: (1) this device may not cause harmful interference, and (2) this device must accept any interference received, including interference that may cause undesired operation.

Changes or modifications not expressly approved by the party responsible for compliance could void the user's authority to operate the equipment.

NOTE: This equipment has been tested and found to comply with the limits for a Class B digital device, pursuant to part 15 of the FCC Rules. These limits are designed to provide reasonable protection against harmful interference in a residential installation. This equipment generates uses and can radiate radio frequency energy and, if not installed and used in accordance with the instructions, may cause harmful interference to radio communications. However, there is no guarantee that interference will not occur in a particular installation. If this equipment does cause harmful interference to radio or television reception, which can be determined by turning the equipment off and on, the user is encouraged to try to correct the interference by one or more of the following measures:

- Reorient or relocate the receiving antenna.
- Increase the separation between the equipment and receiver.
- Connect the equipment into an outlet on a circuit different from that to which the receiver is connected.
- Consult the dealer or an experienced radio/TV technician for help.

Radiation Exposure Statement

This equipment complies with FCC radiation exposure limits set forth for an uncontrolled environment. This equipment should be installed and operated with minimum distance 20cm between the radiator and your body.