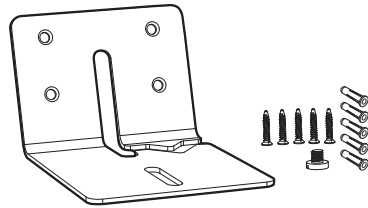
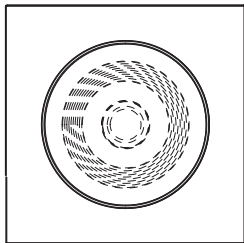


Polycom EagleEye Cube USB Camera

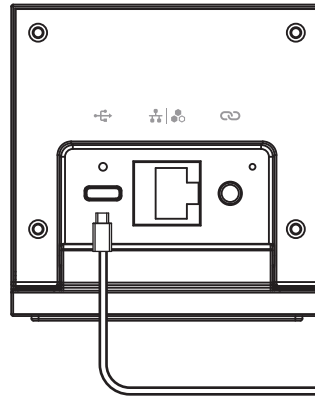
See the Polycom EagleEye Cube USB Camera Regulatory Notices guide for all regulatory and safety guidance prior to configuration.
 Avant de procéder à la configuration, veuillez consulter les Avis de réglementation du Caméra Polycom EagleEye Cube USB, afin de prendre connaissance des recommandations en matière de sécurité et de réglementation.

Refer to the Release Notes for a list of supported products.

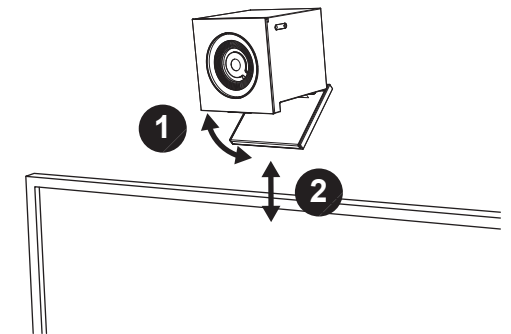
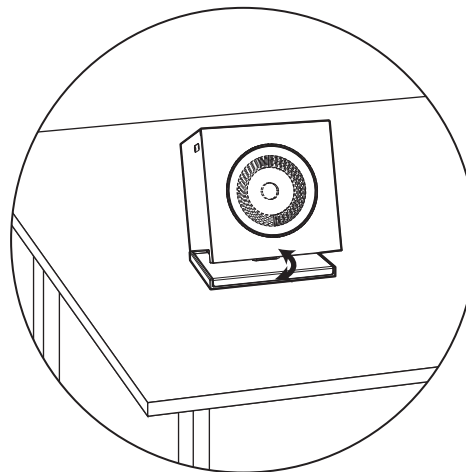
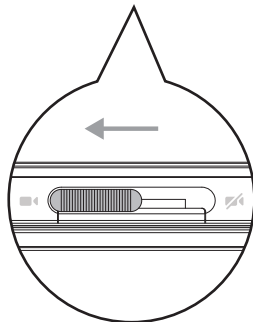
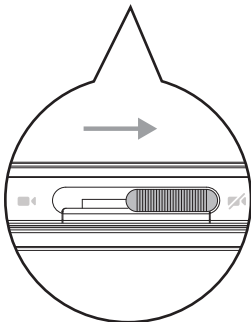
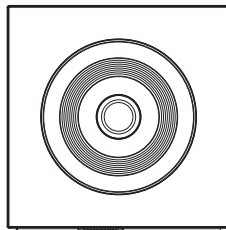
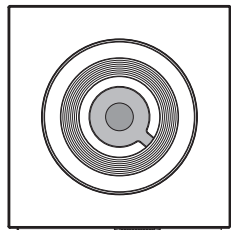
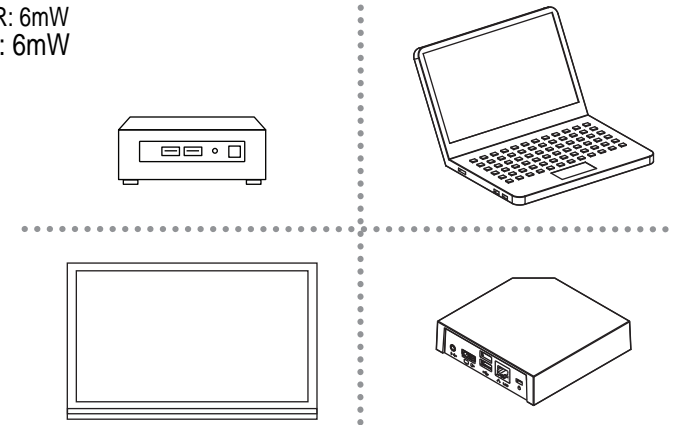


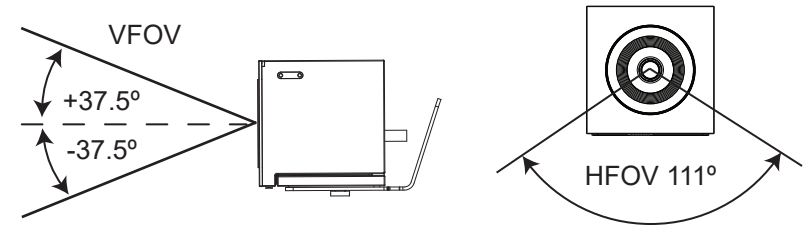
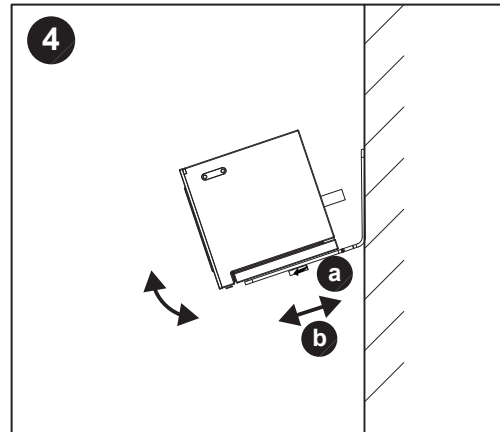
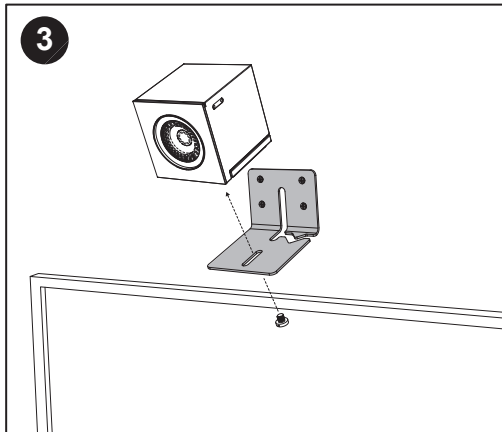
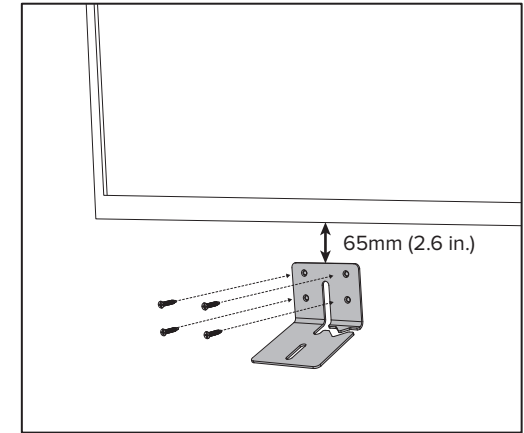
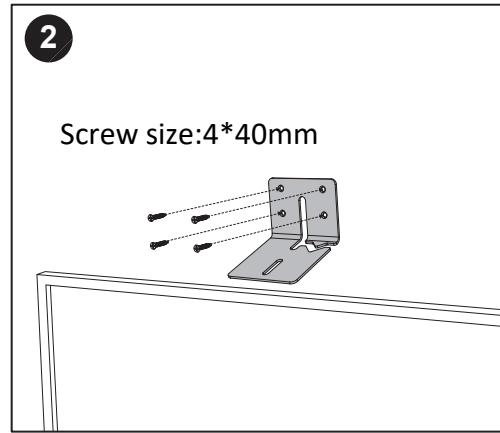
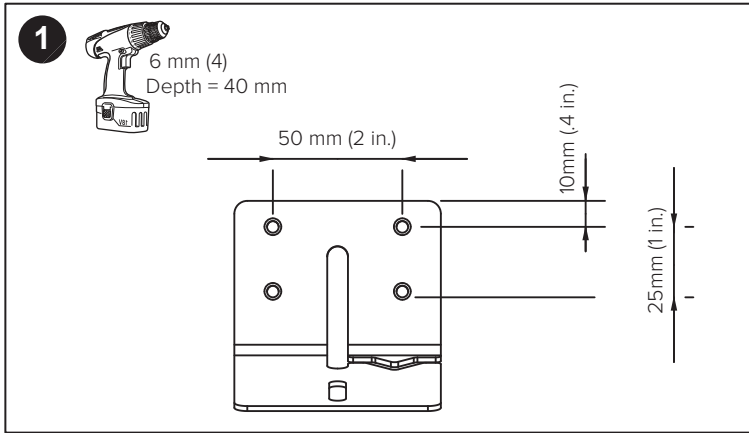
USB-C to USB-A
2 m | 6.6 ft

LAN
2 m | 6.6 ft



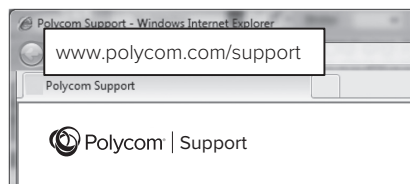
RF working frequency: 2402-2480MHz
 BT EDR: 6mW
 BT-LE: 6mW





Product Documentation

Documentation du produit
 Documentación del producto
 Documentação do produto
 Produktdokumentation
 Documentazione del prodotto
 Produktdokumentasjon
 Termékdokumentáció
 Dokumentacija produktu
 Документация продукта
 製品マニュアル
 产品文档
 產品說明文件
 제품 설명서



Correct disposal of this product: this symbol indicates that this product must not be disposed of with household waste, according to the WEEE Directive (2012/19/EU) and your national law. This product should be taken to a collection center licensed for the recycling of waste electrical and electronic equipment (EEE). The mishandling of this type of waste could have a possible negative impact on the environment and human health due to potentially hazardous substances that are generally associated with EEE. At the same time, your cooperation in the correct disposal of this product will contribute to the efficient use of natural resources. For more information about where you can take your waste equipment for recycling, please contact your local city office, or your household waste collection service.

This device complies with Part 15 of the FCC Rules. Operation is subject to the following two conditions :
 (1) this device may not cause harmful interference, and
 (2) this device must accept any interference received, including interference that may cause undesired operation.

	Operating: 0° - 45°C (32° - 113°F) Storage: -40° - 70°C (-40° - 160°F)
	Operating: 15% - 80% Storage: 5% - 95% non-condensing

This device complies with Industry Canada licence-exempt RSS standard(s). Operation is subject to the following two conditions:
 (1) this device may not cause interference, and
 (2) this device must accept any interference, including interference that may cause undesired operation of the device. Under Industry Canada regulations, this radio transmitter may only operate using an antenna of a type and maximum (or lesser) gain approved for the transmitter by Industry Canada. To reduce potential radio interference to other users, the antenna type and its gain should be so chosen that the equivalent isotropically radiated power (e.i.r.p.) is not more than that necessary for successful communication.

APPENDIX

	Polycom EagleEye Cub USB Camera
Camera type	1 /2.5" CMOS, IMX274
H/V resolution	4K(3840*2160)
Output	4K@30/25fps, 1080P@30/25fps
Lens focal length	f=2.2mm
Lens F#	2.8+0.1
Zoom	5x digital (2x lossless)
Focus	Fixed
Horizontal field of view	111°
Vertical field of view	75°
Min illumination	50 lux
Exposure	AGC
SNR	46 DB (to be tested)
Pan range	N/A
Tilt range	by mounting kit
I/O	USB 3.0type C, Gigabit Ethernet
IR detectors	N/A
Power consumption	900 mA @ 5V DC, PoE support
Dimensions (W x H x D)	79.75 x 81.08 x 80.5 mm
Built-in microphones	2
Video system compatibility	Visual Pro
Room Size	Small
Auto Group Framing	YES
Power	5V DC@900mA

For IC:

This device complies with RSS247 of Industry Canada. Cet appareil se conforme à RSS247 de Canada d'Industrie. This device complies with Industry Canada license-exempt RSS standard(s). Operation is subject to the following two conditions: (1) this device may not cause interference, and (2) this device must accept any interference, including interference that may cause undesired operation of the device. appareils radio exempts de licence. Son fonctionnement est sujet aux deux conditions suivantes: (1) le dispositif ne doit pas produire de brouillage préjudiciable, et (2) ce dispositif doit accepter tout brouillage reçu, y compris un brouillage susceptible de provoquer un fonctionnement indésirable.

This Class B digital apparatus complies with Canadian ICES-003.

Cet appareil numérique de la classe B est conforme à la norme NMB-003 du Canada.

The device should be installed and operated with a minimum distance of 20cm between the radiator and your body.

L'appareil doit être installé et utilisé avec une distance minimale de 20 cm entre le radiateur et votre corps.

For FCC:

Warning: Changes or modifications to this unit not expressly approved by the party responsible for compliance could void the user's authority to operate the equipment.

NOTE: This equipment has been tested and found to comply with the limits for a Class B digital device, pursuant to Part 15 of the FCC Rules. These limits are designed to provide reasonable protection against harmful interference in a residential installation. This equipment generates, uses and can radiate radio frequency energy and, if not installed and used in accordance with the instructions, may cause harmful interference to radio communications.

However, there is no guarantee that interference will not occur in a particular installation. If this equipment does cause harmful interference to radio or television reception, which can be determined by turning the equipment off and on, the user is encouraged to try to correct the interference by one or more of the following measures:

- Reorient or relocate the receiving antenna.
- Increase the separation between the equipment and receiver.
- Connect the equipment into an outlet on a circuit different from that to which the receiver is connected.
- Consult the dealer or an experienced radio/TV technician for help.
-

“The device must not be co-located or operating in conjunction with any other antenna or transmitter.”

FCC RF Radiation Exposure Statement Caution: To maintain compliance with the FCC's RF exposure guidelines, place the product at least 20cm from nearby persons.

FCC Conditions

This device complies with part 15 of the FCC Rules. Operation is subject to the following two conditions:

1. This device may not cause harmful interference.
2. This device must accept any interference received, including interference that may cause undesired operation.