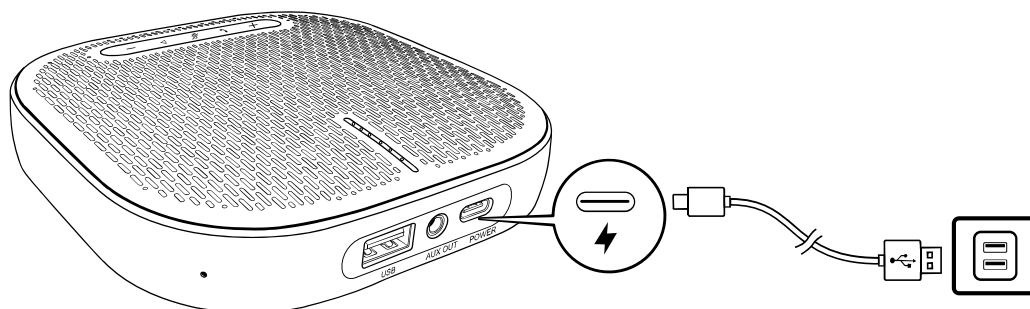


# 充電

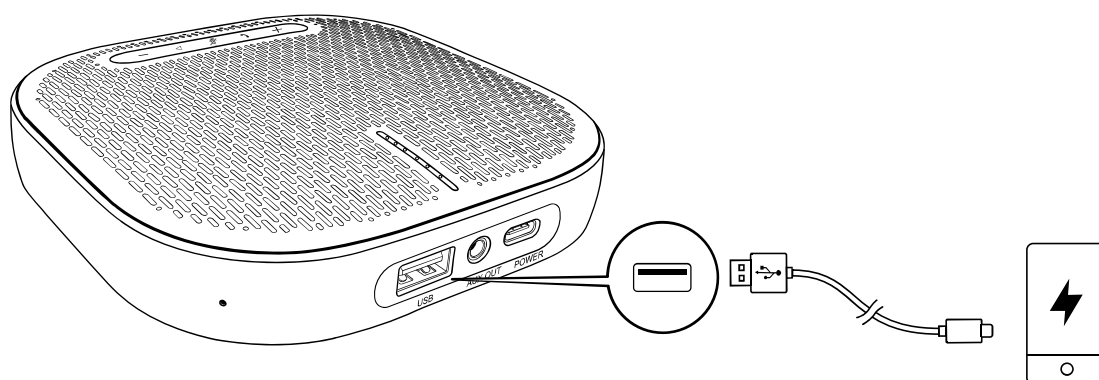
## a) 為本品充電



## 電源指示燈狀態

紅燈常亮	正在充電
白燈常亮	充滿電
紅燈閃爍	電力不足

## b) 為外部裝置充電

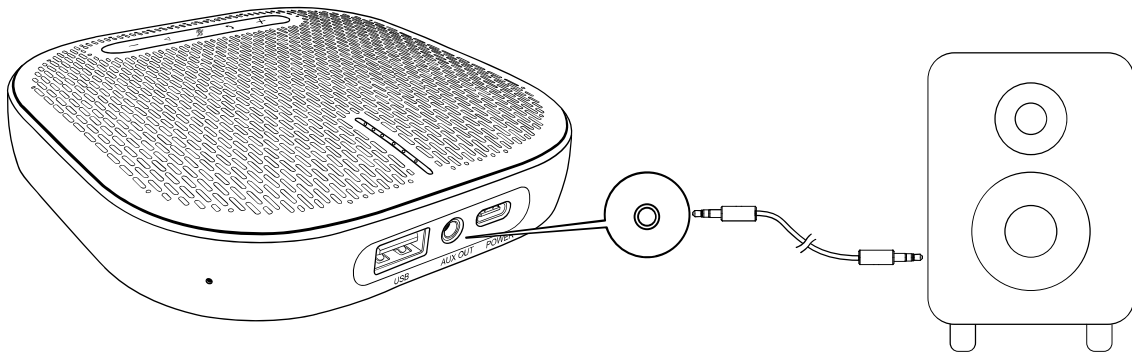




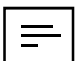
- 關閉電源或充電時，不會進行充電輸出。
- 如果剩餘電力不足 10%，不會進行充電輸出。

## 音訊輸出

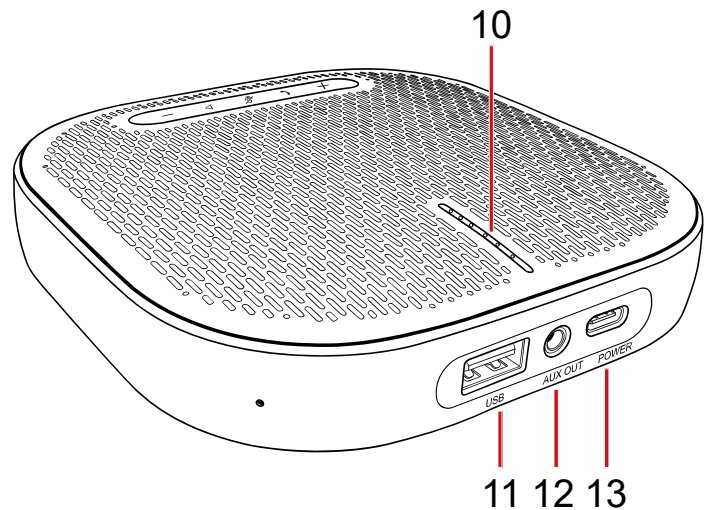
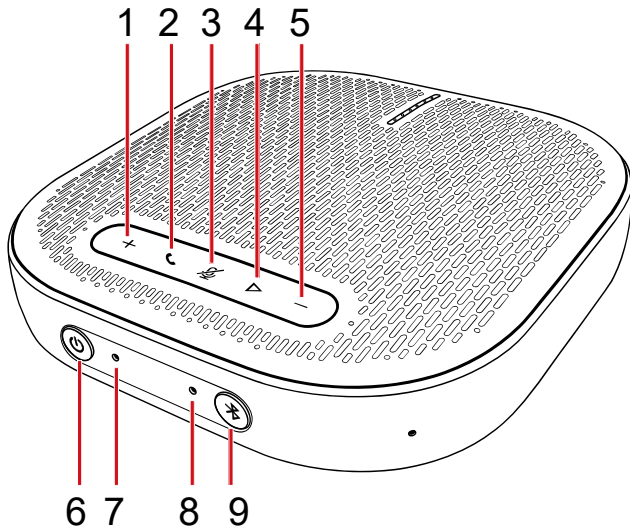
使用 AUX 纜線（不提供）將外部喇叭連線至本品的 AUX 插孔。音訊將透過喇叭播放。



## 產品參數

 規格如有變更，恕不另行通知。

充電輸入	5 V  2 A
充電輸出	5 V  2.1 A
額定輸出功率	3W RMS
電池容量	6500 mAh
充電時間	4 小時
通話時長	24 小時
驅動單元大小	1 x 1.75 英吋 (全範圍)
頻率範圍	20 Hz- 20 kHz
藍牙版本	版本 5.0
藍牙範圍	10 米 /33 英尺
規格範圍	124 公釐 (長) x 124 公釐 (寬) x 31.6 公釐 (高)



- 8. נורית חיווי LED לבלוטוס
- 9. לחצן בלוטוס
- 10. מחוון מצב
- 11. יציאת USB (סוג A) לתפוקת חשמל
- 12. יציאת פלט שמע
- 13. יציאת USB (סוג C) לקלט חשמל

- 1. לחצן הגברת עוצמת הקול
- 2. לחצן שיחה
- 3. לחצן השתקה
- 4. לחצן רב שימושי
- 5. לחצן הפחתת עוצמת הקול
- 6. לחצן הפעלה
- 7. נורית חיווי LED הפעלה

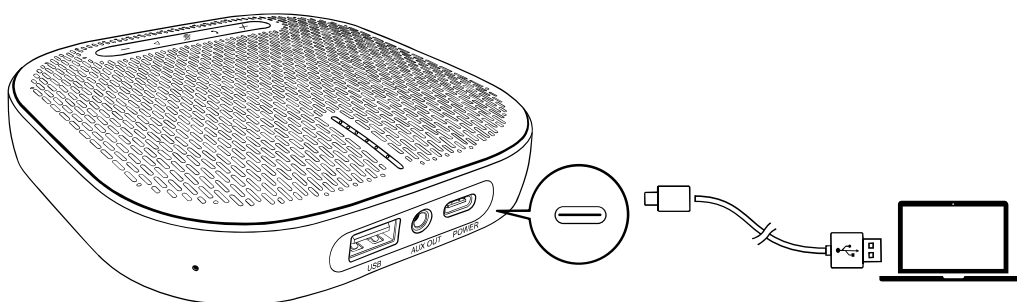
## אזהרה

1. אין לחשוף את המוצר לסביבה בה מטפטפים או מותזים מים. אין להניח חפצים המכילים נוזל בתוכם (כגון אגרטל) עליו;
2. אין להניח מקור אש לא מכוסה (כמו נר בוער) עליו;
3. יש להרחיק את המוצר מאור שמש ישיר, להבה פתוחה וממקורות חום אחרים;
4. אם הינך זקוק למתאם חשמל לאספקת חשמל, עליך לרכוש אחד המוכר על ידי CCC ועומד בתקן.

## חיבור

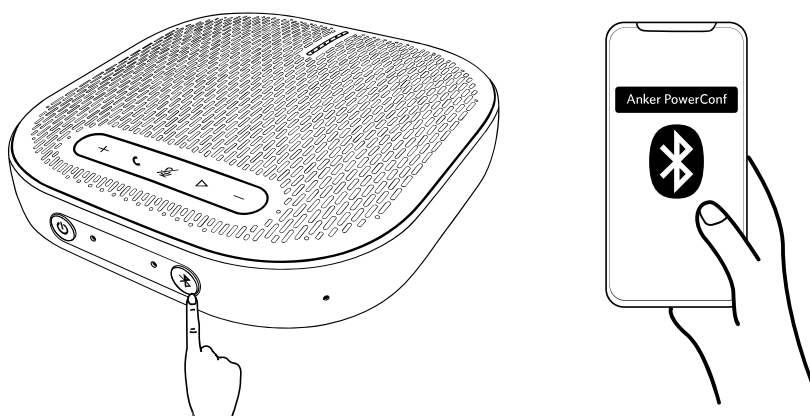
א) חבר את המוצר למחשב דרך כבל USB.

אזהרה: אין לנסות לחבר את המוצר לטלפון. זהו לא אופן שימוש תקין.



ב) חבר את המוצר למחשב או למכשיר נייד דרך הבלוטוס.

המוצר יעבור אוטומטית למצב התאמה לבלוטוס כשהוא מופעל לראשונה.



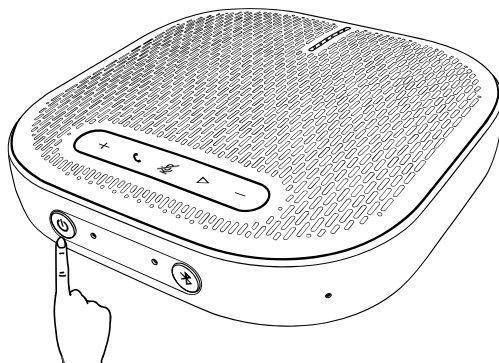
היכנס למצב התאמה	לחץ פעם אחת	
מתחבר לבלוטוס	המחווה הכחול מהבהב	
מחובר לבלוטוס	המחווה הכחול תמיד דולק	



- המוצר יתחבר אוטומטית למכשיר האחרון שחובר בהצלחה (אם הוא זמין) בכל פעם שהוא מופעל.
- לחץ שוב על כפתור הבלוטוס כדי להתנתק.

## הפעלה/כיבוי המכשיר

לחץ על לחצן ההפעלה במשך 2 שניות כדי להפעילו; מחוון המצב ידלק מלמעלה למטה ואז יכובה.  
לחץ על לחצן ההפעלה במשך 2 שניות כדי לכבותו; מחוון המצב ידלק מלמעלה למטה ואז יכובה.



מצב מחוון ההפעלה




הפעלה	אור לבן תמיד דולק	<input type="radio"/>
כיבוי	אור כבוי	<input checked="" type="radio"/>



- יופעל אוטומטית כשהוא מחובר למחשב.
- ינותק אוטומטית כאשר הוא אינו פעיל במשך 30 דקות או ללא חשמל.

HE

## לחצני בקרה

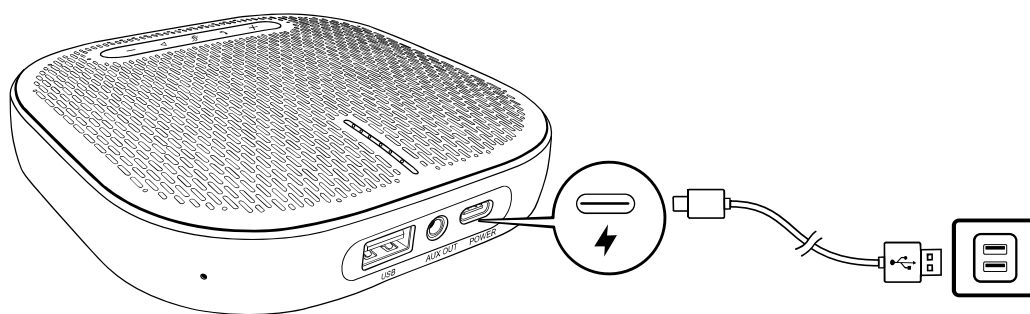
הגברת/הפחתת העוצמה	לחץ או החזק	+/-
מענה/סיום שיחה	לחץ	
דחה את השיחה	לחץ במשך 2 שניות	
כבה או הפעל את המיקרופון	לחץ	
נגן/השהה את המוזיקה	לחץ	

## מצב מחוון הסרגל

מחובר למחשב דרך USB	אור לבן דולק במשך 2 שניות
שיחה נכנסת	אור ירוק מהבהב
הגבר או הפחת את עוצמת הקול	אורות כחולים חלקיים דולקים
מושתק	הופך לאדום
לחץ על לחצן ההפעלה לבדיקת חיי הסוללה	אור ירוק דולק

# טעינה

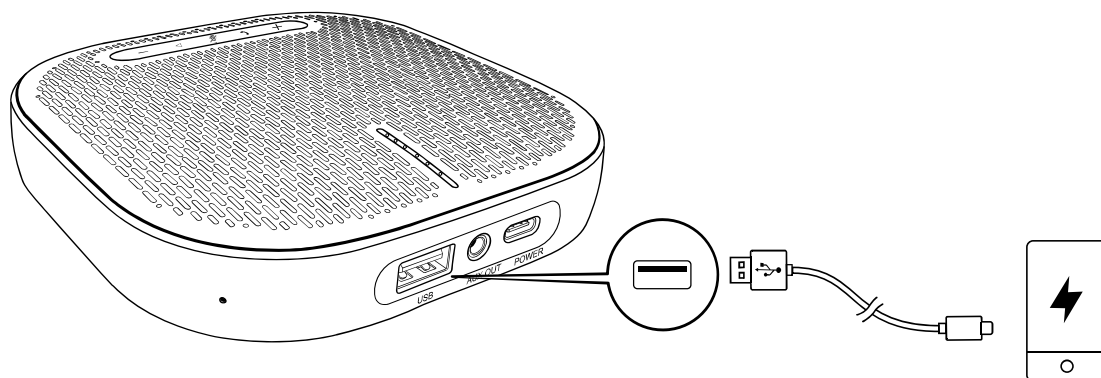
א) טעינת המוצר



מצב מחוץ ההפעלה

טוען	אור אדום תמיד דולק
טוען במלואו	אור לבן תמיד דולק
סוללה חלשה	אור אדום מהבהב

ב) טעינת המכשיר החיצוני



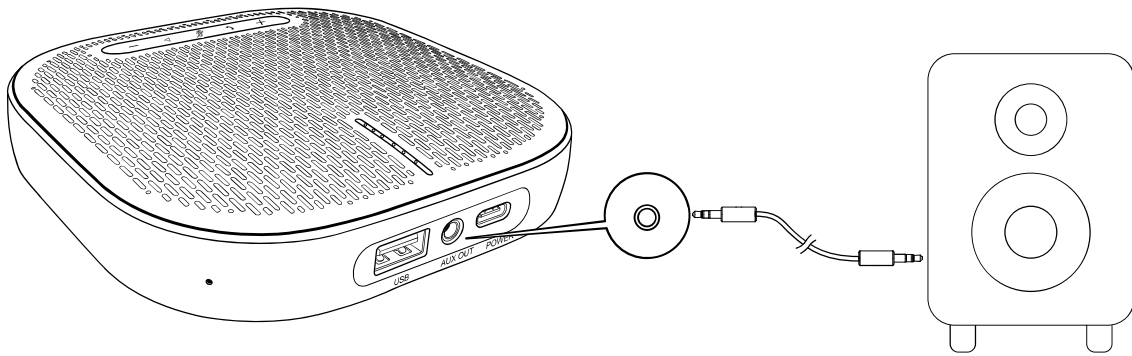




- לא תהיה תפוקת חשמל כשהמוצר כבוי או כשהוא בטעינה.
- לא תהיה תפוקת חשמל כשנותרו פחות מ-10% סוללה.

## פלט שמע

שימוש בכבל AUX (לא מסופק עם המוצר) לחיבור רמקול חיצוני ליציאת ה-AUX של המוצר. האודיו יושמע דרך הרמקול.



## פרמטרי המוצר

לא תהיה הודעה נוספת אם יהיה שינוי בפרמטרים. 

קלט טעינה	2 A $\overline{\text{---}}$ 5 V
פלט טעינה	2.1 A $\overline{\text{---}}$ 5 V
עוצמת פלט מדורגת	3W RMS
קיבולת סוללה	mAh 6500
זמן טעינה	4 שעות
משך שיחה	24 שעות
גודל יחידת כונן	1.75 x 1 אינץ' (טווח מלא)
טווח תדרים	20 kHz - 20 Hz
גרסת בלוטוס	V5.0
טווח בלוטוס	10 מטר/33 רגל
טווח מפרט	124 מ"מ (אורך), 124 מ"מ (רוחב), 31.6 מ"מ (גובה) 124 מ"מ (אורך), 124 מ"מ (רוחב), 31.6 מ"מ (גובה)

型号/Model: VHD-M300

深圳市维海德技术股份有限公司/ValueHD Corporation

2-3/F, No.2, Honghui Industrial Park,

Xin'an Street, Bao'an District, Shenzhen.

FCC ID: 2ATFO-M300

中国制造



## IMPORTANT SAFETY INSTRUCTIONS

### For all products:

1. Read these instructions.
2. Keep these instructions.
3. Heed all warnings.
4. Follow all instructions.
5. Do not block any ventilation openings. Install this apparatus in accordance with the manufacturer's instructions.
6. Do not install this apparatus near any heat sources such as radiators, heat registers, stoves or other apparatus (including amplifiers) that produce heat.
7. Do not defeat the safety purpose of the polarized or grounding-type plug. A polarized plug has two blades with one wider than the other. A grounding-type plug has two blades and a third grounding prong. The wide blade or the third prong is provided for your safety. If the provided plug does not fit into your outlet, consult an electrician for replacement of the obsolete outlet.
8. Protect the power cord from being walked on or pinched, particularly at plugs, convenience receptacles and the point where they exit from the apparatus.
9. Use only attachments/accessories specified by the manufacturer.
10. Use only with the cart, stand, tripod, bracket or table specified by the manufacturer or sold with the apparatus. When a cart is used, use caution when moving the cart/apparatus combination to avoid injury from tip-over.
11. Unplug this apparatus during lightning storms or when unused for long periods of time.
12. To disconnect this apparatus from the AC mains completely, disconnect the power-supply cord plug from the AC receptacle.
13. The mains plug of the power-supply cord shall remain readily operable.
14. Do not expose batteries to excessive heat such as sunshine, fire or the like.
15. This apparatus is intended to be used only with the power supply and/or charging cable provided by the manufacturer.



## CAUTION

### RISK OF ELECTRIC SHOCK. DO NOT OPEN.



THE LIGHTNING FLASH WITH AN ARROWHEAD SYMBOL, WITHIN AN EQUILATERAL TRIANGLE, IS INTENDED TO ALERT THE USER TO THE PRESENCE OF UNINSULATED "DANGEROUS VOLTAGE" WITHIN THE PRODUCT'S ENCLOSURE THAT MAY BE OF SUFFICIENT MAGNITUDE TO CONSTITUTE A RISK OF ELECTRIC SHOCK TO PERSONS.



THE EXCLAMATION POINT WITHIN AN EQUILATERAL TRIANGLE IS INTENDED TO ALERT THE USER TO THE PRESENCE OF IMPORTANT OPERATING AND MAINTENANCE (SERVICING) INSTRUCTIONS IN THE LITERATURE ACCOMPANYING THE PRODUCT.

**WARNING:** TO REDUCE THE RISK OF FIRE OR ELECTRIC SHOCK, DO NOT EXPOSE THIS APPARATUS TO RAIN OR MOISTURE.

### CAUTION FCC AND IC STATEMENT FOR USERS (USA AND CANADA ONLY)

This device complies with part 15 of the FCC Rules. Operation is subject to the following two conditions: (1) This device may not cause harmful interference, and (2) this device must accept any interference received, including interference that may cause undesired operation. CAN ICES-3(B)/NMB-3(B)

### Federal Communication Commission Interference Statement

This equipment has been tested and found to comply with the limits for a Class B digital device, pursuant to Part 15 of the FCC Rules. These limits are designed to provide reasonable protection against harmful interference in a residential installation. This equipment generates, uses and can radiate radio frequency energy and, if not installed and used in accordance with the instructions, may cause harmful interference to radio communications. However, there is no guarantee that interference will not occur in a particular installation. If this equipment does cause harmful interference to radio or television reception, which can be determined by turning the equipment off and on, the user is encouraged to try to correct the interference by one or more of the following measures:

- Reorient or relocate the receiving antenna.
- Increase the separation between the equipment and receiver.

- Connect the equipment into an outlet on a circuit different from that to which the receiver is connected.
- Consult the dealer or an experienced radio/TV technician for help.

**Caution:** Changes or modifications not expressly approved by HARMAN could void the user's authority to operate the equipment.

#### **For Products That Transmit RF Energy:**

##### **FCC AND IC INFORMATION FOR USERS**

This device complies with Part 15 of the FCC rules and Industry Canada license-exempt RSS standard(s).

Operation is subject to the following two conditions: (1) This device may not cause harmful interference; and (2) this device must accept any interference received, including interference that may cause undesired operation.

##### **FCC/IC Radiation Exposure Statement**

This equipment complies with FCC/IC RSS-102 radiation exposure limits set forth for an uncontrolled environment.

This equipment should be installed and operated with minimum distance 20cm between the radiator & your body.

#### **For Wi-Fi 5G device**

##### **FCC Caution:**

High power radars are allocated as primary users of the 5.25 to 5.35 GHz and 5.65 to 5.85 GHz bands. These radar stations can cause interference with and/or damage this device. No configuration controls are provided for this wireless equipment allowing any change in the frequency of operations outside the FCC grant of authorization for US operation according to Part 15.407 of the FCC rules.

##### **IC Caution:**

User should also be advised that:

- (i) The device for operation in the band 5150 - 5250 MHz is only for indoor use to reduce the potential for harmful interference to co-channel mobile satellite systems;
- (ii) the maximum antenna gain permitted for devices in the bands 5250 - 5350 MHz and 5470 - 5725 MHz shall comply with the e.i.r.p. limit; and
- (iii) The maximum antenna gain permitted for devices in the band 5725 - 5825 MHz shall comply with the e.i.r.p. limits specified for point-to-point and non point-to-point operation as appropriate.
- (iv) Users should also be advised that high-power radars are allocated as primary users (i.e. priority users) of the bands 5250 - 5350 MHz and 5650 - 5850 MHz and that these radars could cause interference and/or damage to LE-LAN devices.

#### **Exposure of humans to RF fields (RSS-102)**

The computers employ low gain integral antennas that do not emit RF field in excess of Health Canada limits for the general population; consult Safety Code 6, obtainable from Health Canada's Web site at <http://www.hc-sc.gc.ca/>

The radiated energy from the antennas connected to the wireless adapters conforms to the IC limit of the RF exposure requirement regarding IC RSS-102, Issue 5 clause 4. SAR tests are conducted using recommended operating positions accepted by the FCC/ RSS with the device transmitting at its highest certified power level in all tested frequency band without distance attaching away from the body. Non-compliance with the above restrictions may result in violation of FCC RF exposure guidelines.

**Use Restriction** Attention in France, operation is limited to indoor use within the band 5150-5350 MHz.

#### **For Products with Radio Receivers That Can Use an External Antenna (USA ONLY):**

##### **CATV (Cable TV) or Antenna Grounding**

If an outside antenna or cable system is connected to this product, be certain that it is grounded so as to provide some protection against voltage surges and static charges. Section 810 of the National Electrical Code (NEC), ANSI/NFPA No. 70-1984, provides information with respect to proper grounding of the mast and supporting structure, grounding of the lead-in wire to an antenna discharge unit, size of grounding conductors, location of antenna discharge unit, connection to grounding electrodes and requirements of the grounding electrode.

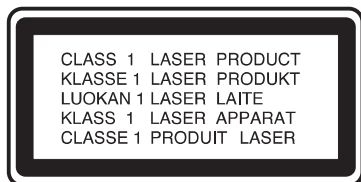
##### **Note to CATV System Installer:**

This reminder is provided to call the CATV (cable TV) system installer's attention to article 820-40 of the NEC, which provides guidelines for proper grounding and, in particular, specifies that the cable ground shall be connected to the grounding system of the building, as close to the point of cable entry as possible.

#### **For CD/DVD/Blu-ray Disc™ Players:**

##### **Caution:**

This product uses a laser system. To prevent direct exposure to the laser beam, do not open the cabinet enclosure or defeat any of the safety mechanisms provided for your protection. DO NOT STARE INTO THE LASER BEAM. To ensure proper use of this product, please read the owner's manual carefully and retain it for future use. Should the unit require maintenance or repair, please contact your local JBL service center. Refer servicing to qualified personnel only.



#### FOR ALL EU COUNTRIES:

##### For products that include audio out Prevention of hearing loss



**Caution:** Permanent hearing loss may occur if earphones or headphones are used at high volume for prolonged periods of time.

For France, the products have been tested to comply with the Sound Pressure Level requirement laid down in the applicable NF EN 50332-1:2013 and/or EN 50332-2:2013 standards as required by French Article L.5232-1.

**Note:** To prevent possible hearing damage, do not listen at high volume levels for long periods.

#### WEEE Notice

The Directive on Waste Electrical and Electronic Equipment (WEEE), which entered into force as European law on 14/02/2014, resulted in a major change in the treatment of electrical equipment at end-of-life.

The purpose of this Directive is, as a first priority, the prevention of WEEE, and in addition, to promote the reuse, recycling and other forms of recovery of such wastes so as to reduce disposal. The WEEE logo on the product or on its box indicating collection for electrical and electronic equipment consists of the crossed-out wheeled bin, as shown below.



This product must not be disposed of or dumped with your other household waste. You are liable to dispose of all your electronic or electrical waste equipment by relocating over to the specified collection point for recycling of such hazardous waste. Isolated collection and proper recovery of your electronic and electrical waste equipment at the time of disposal will allow us to help conserving natural resources. Moreover, proper recycling of the electronic and electrical waste equipment will ensure safety of human health and environment. For more information about electronic and electrical waste equipment disposal, recovery, and collection points, please contact your local city center, household waste disposal service, shop from where you purchased the equipment, or manufacturer of the equipment.

#### RoHS Compliance

This product is in compliance with Directive 2011/65/EU and (EU)2015/863 of the European Parliament and of the Council of 31/03/2015 on the restriction of the use of certain hazardous substances in electrical and electronic equipment.

#### REACH

REACH (Regulation No 1907/2006) addresses the production and use of chemical substances and their potential impacts on human health and the environment. Article 33(1) of REACH Regulation requires suppliers to inform the recipients if an article contains more than 0.1% (per weight per article) of any substance(s) on the Substances of Very High Concern (SVHC) Candidate List ('REACH candidate list').

This product contains the substance "lead" (CAS-No. 7439-92-1) in a concentration of more than 0.1% per weight.

At the time of release of this product, except for the lead substance, no other substances of REACH candidate list are contained in a concentration of more than 0.1% per weight in this product.

**Note:** On June 27, 2018, lead was added to the REACH candidate list. The inclusion of lead in the REACH candidate list does not mean that lead-containing materials pose an immediate risk or results in a restriction of permissibility of its use.

#### For Products That Include Batteries

##### EU Batteries Directive 2013/56/EU

A new battery directive 2013/56/EU on Battery and Accumulator replacing directive entered into force on the 01/07/2015. The directive applies to all types of batteries and accumulators (AA, AAA, button cells, lead acid, rechargeable packs) including those incorporated into appliances except for military, medical and power tool applications. The directive sets out rules for collection, treatment, recycling and disposal of batteries, and aims to prohibit certain hazardous substances and to improve environmental performance of batteries and all operators in the supply chain.

##### Instructions for Users on Removal, Recycling and Disposal of Used Batteries

To remove the batteries from your equipment or remote control, reverse the procedure described in the owner's manual for inserting batteries. For products with a built-in battery that lasts for the lifetime of the product, removal may not be possible for the user. In this case, recycling or recovery centers handle the dismantling of the product and the removal of the battery. If, for any reason, it becomes necessary to replace such a battery, this procedure must be performed by authorized service centers. In the European Union and other locations, it is illegal to dispose of any battery with household trash. All batteries must be disposed of in an environmentally sound manner. Contact your local waste-management officials for information regarding the environmentally sound collection, recycling and disposal of used batteries.

**WARNING:** Danger of explosion if battery is incorrectly replaced. To reduce risk of fire or burns, don't disassemble, crush, puncture, short external contacts, expose to temperature above 60°C (140°F), or dispose of in fire or water. Replace only with specified batteries. The symbol indicating 'separate collection' for all batteries and accumulators shall be the crossed-out wheeled bin shown below:



In case of batteries, accumulators and button cells containing more than 0.0005 % mercury, more than 0.002 % cadmium or more than 0.004 % lead, shall be marked with the chemical symbol for the metal concerned: Hg, Cd or Pb respectively. Please Refer to the below symbol:



Hg



Cd



Pb

CE



## CONSIGNES DE SÉCURITÉ IMPORTANTES

### Tous les produits :

1. Lisez attentivement ces instructions.
2. Conservez-les pour vous y reporter en cas de besoin.
3. Respectez toutes les mises en garde.
4. Suivez toutes les instructions.
5. N'obstruez aucun orifice de ventilation. Installez cet appareil conformément aux instructions du fabricant.
6. Ne l'installez pas à proximité de sources de chaleur, à savoir radiateurs, bouches d'air chaud, fourneaux ou autres appareils générant de la chaleur, notamment des amplificateurs.
7. Ne négligez pas les consignes de sécurité relatives à la fiche polarisée ou de mise à la terre. Une fiche polarisée dispose de deux broches, l'une plus large que l'autre. Une fiche de mise à la terre dispose de deux broches et d'une troisième pour la mise à la terre. La troisième broche, la plus large, est destinée à assurer la sécurité de l'utilisateur. Si la fiche fournie n'est pas adaptée à votre prise secteur, faites appel à un électricien pour qu'il remplace la prise obsolète.
8. Évitez de marcher sur le câble d'alimentation ou de le tordre, en particulier au niveau des fiches, des prises de courant et du point de sortie de l'appareil.
9. Utilisez uniquement les supports de fixation/accessoires spécifiés par le fabricant.
10. Utilisez uniquement le chariot, le pied, le trépied, la console ou le support spécifiés par le fabricant ou vendus avec l'appareil. Lorsque vous utilisez un chariot, déplacez l'ensemble chariot/appareil avec soin afin d'éviter que le chariot ne se renverse et blesse quelqu'un.
11. Débranchez l'appareil pendant un orage ou en cas d'inutilisation prolongée.
12. Pour éteindre complètement l'appareil, débranchez le cordon d'alimentation de la prise secteur.
13. Vous devez pouvoir accéder facilement à la prise secteur pour débrancher le cordon d'alimentation.
14. N'exposez pas les piles à une chaleur excessive; veillez par exemple à ne pas les laisser au soleil, à ne pas les jeter au feu ou à ne pas les exposer à une source de chaleur.
15. Cet appareil a été conçu pour être utilisé uniquement avec le câble d'alimentation et/ou de charge fourni par le fabricant.



## MISE EN GARDE

### RISQUE D'ÉLECTROCUTION NE PAS OUVRIR.



L'ÉCLAIR FLÉCHÉ DANS UN TRIANGLE ÉQUILATÉRAL AVERTIT L'UTILISATEUR DE LA PRÉSENCE D'UNE TENSION DANGEREUSE NON ISOLÉE À L'INTÉRIEUR DE L'APPAREIL D'UNE PUISSANCE SUFFISANTE POUR CONSTITUER UN RISQUE D'ÉLECTROCUTION.



LE POINT D'EXCLAMATION DANS UN TRIANGLE ÉQUILATÉRAL AVERTIT L'UTILISATEUR DE LA PRÉSENCE D'INSTRUCTIONS D'UTILISATION ET D'ENTRETIEN IMPORTANTES DANS LA DOCUMENTATION QUI ACCOMPAGNE L'APPAREIL.

**AVERTISSEMENT :** POUR RÉDUIRE LE RISQUE D'INCENDIE OU D'ÉLECTROCUTION, N'EXPOSEZ PAS CET APPAREIL À LA PLUIE OU À L'HUMIDITÉ.

### DÉCLARATION DE LA FCC ET D'IC À L'ATTENTION DES UTILISATEURS (ÉTATS-UNIS ET CANADA UNIQUEMENT)

Cet appareil est conforme à la partie 15 des règles de la FCC. Son fonctionnement est soumis aux deux conditions suivantes : (1) Cet appareil ne doit pas provoquer d'interférences nuisibles; et (2) cet appareil doit accepter toutes les interférences reçues, y compris celles susceptibles d'entraîner un dysfonctionnement de l'appareil.  
CAN ICES-3(B)/NMB-3(B)

### Déclaration de la Federal Communication Commission sur les interférences

Cet équipement a été testé et déclaré conforme aux limites applicables aux appareils numériques de classe B, conformément à la partie 15 des règles de la FCC. Ces limites sont conçues pour offrir une protection raisonnable contre les interférences nuisibles dans une installation résidentielle. Cet équipement génère, utilise et diffuse des ondes radio; s'il n'est pas installé ni utilisé conformément aux instructions dont il fait l'objet, il risque de provoquer des interférences gênantes avec les communications radio. Toutefois, rien ne garantit l'absence d'interférences dans une installation particulière. Si cet équipement provoque des interférences avec la réception radio ou télévision (ce qu'il est possible de déterminer en mettant l'équipement hors tension, puis à nouveau sous tension), nous invitons l'utilisateur à tenter de corriger le problème en prenant l'une ou plusieurs des mesures suivantes :

- Réorienter ou déplacer l'antenne de réception;
- Augmenter la distance séparant l'équipement et le récepteur;
- Connecter l'équipement à un circuit différent de celui auquel le récepteur est connecté;
- S'adresser au revendeur ou à un technicien radiotélévision expérimenté pour obtenir de l'aide.

## Produits qui transmettent de l'énergie en radiofréquence :

### INFORMATIONS DE LA FCC ET D'IC À L'ATTENTION DES UTILISATEURS

Le présent appareil est conforme aux CNR d'Industrie Canada applicables aux appareils radio exempts de licence. L'exploitation est autorisée aux deux conditions suivantes : (1) l'appareil ne doit pas produire de brouillage, et (2) l'utilisateur de l'appareil doit accepter tout brouillage radioélectrique subi, même si le brouillage est susceptible d'en compromettre le fonctionnement.

### Déclaration de la FCC et d'IC sur l'exposition aux radiations

Cet appareil est conforme à la norme RSS 102 de la FCC/IC relative aux limites d'exposition aux radiations dans un environnement non contrôlé.

### Pour les appareils 5G Wi-Fi

#### Les utilisateurs devraient aussi être avisés que

- (i) Les dispositifs fonctionnant dans la bande 5150-5250 MHz sont réservés uniquement pour une utilisation à l'intérieur afin de réduire les risques de brouillage préjudiciable aux systèmes de satellites mobiles utilisant les mêmes canaux;
- (ii) Le gain maximal d'antenne permis pour les dispositifs utilisant les bandes 5 250-5 350 MHz et 5 470-5 725 MHz doit se conformer à la limite de p.i.r.e.
- (iii) le gain maximal d'antenne permis (pour les dispositifs utilisant la bande 5 725-5 825 MHz) doit se conformer à la limite de p.i.r.e. spécifiée pour l'exploitation point à point et non point à point, selon le cas. De plus, les utilisateurs de radars de haute puissance sont désignés utilisateurs principaux (c.-à-d., qu'ils ont la priorité) pour les bandes 5 250-5 350 MHz et 5 650-5 850 MHz et que ces radars pourraient causer du brouillage et/ou des dommages aux dispositifs LAN-EL.

### Conformité des appareils de radiocommunication aux limites d'exposition humaine aux radiofréquences (CNR-102)

L'ordinateur utilise des antennes intégrales à faible gain qui n'émettent pas un champ électromagnétique supérieur aux normes imposées par Santé Canada pour la population. Consultez le Code de sécurité 6 sur le site Internet de Santé Canada à l'adresse suivante : <http://www.hc-sc.gc.ca/> L'énergie émise par les antennes reliées aux cartes sans fil respecte la limite d'exposition aux radiofréquences telle que définie par Industrie Canada dans la clause 4.1 du document CNR-102, version 5. Tests DAS sont effectués en utilisant les positions recommandées par la FCC/CNR avec le téléphone émet à la puissance certifiée maximale dans toutes les bandes de fréquence testées sans distance attacher loin du corps. Non-respect des restrictions ci-dessus peut entraîner une violation des directives de la FCC/CNR.

**Utilisez Restriction** Attention en France, l'opération est limitée à une utilisation intérieure dans la bande 5150-5350 MHz.

### Produits munis de récepteurs radio pouvant faire appel à une antenne externe (ÉTATS-UNIS UNIQUEMENT) :

#### Mise à la terre de l'antenne ou du système de câblodistribution

Si vous connectez une antenne extérieure ou un système de câblodistribution à cet appareil, assurez-vous qu'ils ont été mis à la terre de façon à assurer une protection contre les surtensions et les charges électrostatiques. La section 810 du National Electrical Code (NEC), ANSI/NFPA n° 70-1984, fournit des informations sur la mise à la terre du mât d'antenne et de la structure de soutien, sur la mise à la terre du fil d'entrée vers une unité de décharge de l'antenne, sur la taille des conducteurs de mise à la terre, sur la connexion aux prises de terre et sur les caractéristiques requises pour la prise de terre.

#### Remarque à l'attention de l'installateur du système de câblodistribution:

Ce rappel vise à attirer l'attention de l'installateur du système de câblodistribution sur l'article 820-40 du NEC, qui fournit des directives sur une mise à la terre appropriée et qui, en particulier, précise que le fil de mise à la terre doit être branché au système de mise à la terre de l'édifice aussi près que possible de l'entrée du système de câblodistribution.

#### Lecteurs CD/DVD/Blu-ray Disc™ :

##### Mise en garde :

Cet appareil utilise un système laser. Pour éviter de vous exposer directement au rayon laser, n'ouvrez pas le boîtier ou ne tentez pas de contourner les mécanismes de sécurité visant à vous protéger.

NE REGARDEZ PAS DIRECTEMENT LE RAYON LASER. Pour utiliser correctement ce produit, lisez attentivement le mode d'emploi et conservez-le afin de vous y reporter en cas de besoin. Si l'appareil nécessite une maintenance ou une réparation, contactez votre centre de services local JBL. Confiez les réparations uniquement à un technicien qualifié.

CLASS 1 LASER PRODUCT  
KLASSE 1 LASER PRODUKT  
LUOKAN 1 LASER LAITE  
KLASS 1 LASER APPARAT  
CLASSE 1 PRODUIT LASER

## À L'ATTENTION DE TOUS LES PAYS DE L'UE :

### Produits munis d'une prise de sortie audio

#### Prévention de la perte d'audition



**Mise en garde :** Les utilisateurs s'exposent à une perte d'audition irréversible s'ils utilisent leurs oreillettes ou leurs casques à un volume élevé de façon régulière et continue.

Pour la France, cet appareil a été testé et déclaré conforme aux limites de niveau de pression acoustique décrites dans les normes NF EN 50332-1:2013 et EN 50332-2:2013, en application de l'Article L.5232-1.

**Remarque :** pour éviter les pertes d'audition, n'utilisez pas ce produit à un volume élevé pendant de longues périodes.

#### Avis concernant les DEEE

La directive relative aux déchets d'équipements électriques et électroniques (DEEE), adoptée comme loi européenne le 14/02/2014, a supposé un important changement dans le traitement des équipements électriques en fin de vie.

L'objectif principal de cette directive est de prévenir les DEEE et de favoriser la réutilisation, le recyclage et d'autres formes de récupération de ces déchets afin de réduire la mise au rebut. Le logo des DEEE apposé sur cet équipement ou sur son emballage, qui indique la collecte des équipements électriques et électroniques, est représenté sous la forme d'une poubelle barrée, comme indiqué ci-dessous.



Ce produit ne doit pas être jeté avec les ordures ménagères. Il vous incombe de mettre au rebut tous vos équipements électriques et électroniques en fin de vie en vous rendant à un point de collecte approprié en vue de les recycler. Une collecte isolée et une récupération appropriée de vos déchets d'équipements électriques ou électroniques au moment de la mise au rebut nous permettent de contribuer à la préservation des ressources naturelles. Par ailleurs, un recyclage approprié des déchets d'équipements électriques ou électroniques assure la protection de la santé humaine et de l'environnement. Pour obtenir de plus amples informations sur la mise au rebut, la récupération et les points de collecte des déchets d'équipements électriques ou électroniques, contactez votre mairie, votre service de collecte des déchets, le magasin qui vous a vendu l'équipement, ou le fabricant du produit.

#### Conformité RoHS

Ce produit est conforme aux directives 2011/65/UE et (UE) 2015/863 du Parlement européen et du Conseil du 31/03/2015 relatives à la limitation de l'utilisation de certaines substances dangereuses dans les équipements électriques et électroniques.

#### REACH

REACH (règlement N° 1907/2006) concerne la production et l'utilisation de substances chimiques ainsi que leurs impacts potentiels sur la santé humaine et l'environnement. L'article

33(1) du règlement REACH impose aux fournisseurs d'informer les destinataires si un article contient plus de 0,1% (en masse par article) d'une ou plusieurs substances mentionnées sur la liste des substances extrêmement préoccupantes (SVHC, Substances of Very High Concern) (« liste des candidates REACH »). Ce produit contient la substance « plomb » (N° CAS 7439-92-1) à une concentration supérieure à 0,1 % en masse.

Au moment de la production de ce produit, à part la substance plomb, aucune autre substance de la liste des candidates REACH n'est présente à une concentration supérieure à 0,1 % en masse dans ce produit.

**Remarque:** Le 27 juin 2018, le plomb a été ajouté à la liste des substances candidates REACH. L'inclusion du plomb dans la liste des substances candidates REACH ne signifie pas que les matériaux contenant du plomb posent un risque immédiat et ne conduisent pas à une restriction d'autorisation de leur utilisation.

#### Produits incluant des piles ou accumulateurs

##### Directive 2013/56/EU relative aux piles et accumulateurs

La nouvelle directive 2013/56/EU relative aux piles et accumulateurs est entrée en vigueur le 1/07/2015. Cette directive s'applique à tous les types de piles et accumulateurs (AA, AAA, pile bouton, pile/accumulateur plomb-acide, pile/accumulateur rechargeable), notamment à ceux incorporés dans les appareils électriques, sauf si ces derniers sont utilisés à des fins militaires ou médicales, ou s'il s'agit d'outils électriques. Cette directive établit des règles pour la collecte, le traitement, le recyclage et la mise au rebut des piles et accumulateurs; elle vise par ailleurs à interdire certaines substances dangereuses et à améliorer les performances environnementales des piles et accumulateurs et de tous les opérateurs de la chaîne d'approvisionnement.

##### Instructions de retrait, de mise au rebut et de recyclage des piles et accumulateurs usagés

Pour retirer les piles de votre équipement ou de la télécommande, inversez la procédure d'insertion des piles décrite dans le mode d'emploi.

Cette procédure est impossible sur les équipements munis d'une batterie intégrée dont la durée de vie correspond à celle du produit. Dans ce cas, les centres de recyclage ou de récupération sont chargés du démantèlement du produit et du retrait de la batterie. Si, pour quelque raison que ce soit, vous devez remplacer ce type de batterie, adressez-vous à un centre de services autorisé. Dans l'Union européenne et dans d'autres régions, il est illégal de jeter les piles ou accumulateurs usagés avec les ordures ménagères. Les piles et accumulateurs doivent être mis au rebut dans le respect de l'environnement. Contactez l'entreprise chargée de la gestion des déchets pour obtenir de plus amples informations sur la collecte, le recyclage et la mise au rebut écologiques des piles et accumulateurs usagés.

**AVERTISSEMENT :** danger d'explosion si la pile n'est pas correctement remplacée. Pour réduire les risques de brûlure ou d'incendie, veillez à ne pas démonter, écraser, percer ou court-circuiter la pile, l'exposer à une température supérieure à 60 °C (140 °F), ou la jeter au feu ou dans l'eau. Lorsque vous remplacez les piles, utilisez uniquement les piles spécifiées. Le symbole de la poubelle barrée, illustré ci-dessous, indique la collecte séparée de l'ensemble des piles et accumulateurs :



Les piles, accumulateurs ou piles boutons contenant plus de 0,0005 % de mercure, plus de 0,002 % de cadmium ou plus de 0,004 % de plomb doivent être accompagnés du symbole chimique correspondant au métal concerné : Hg, Cd ou Pb, respectivement. Reportez-vous au symbole ci-dessous :



Hg



Cd



Pb

CE



72-HMHYJ1-SAFB2