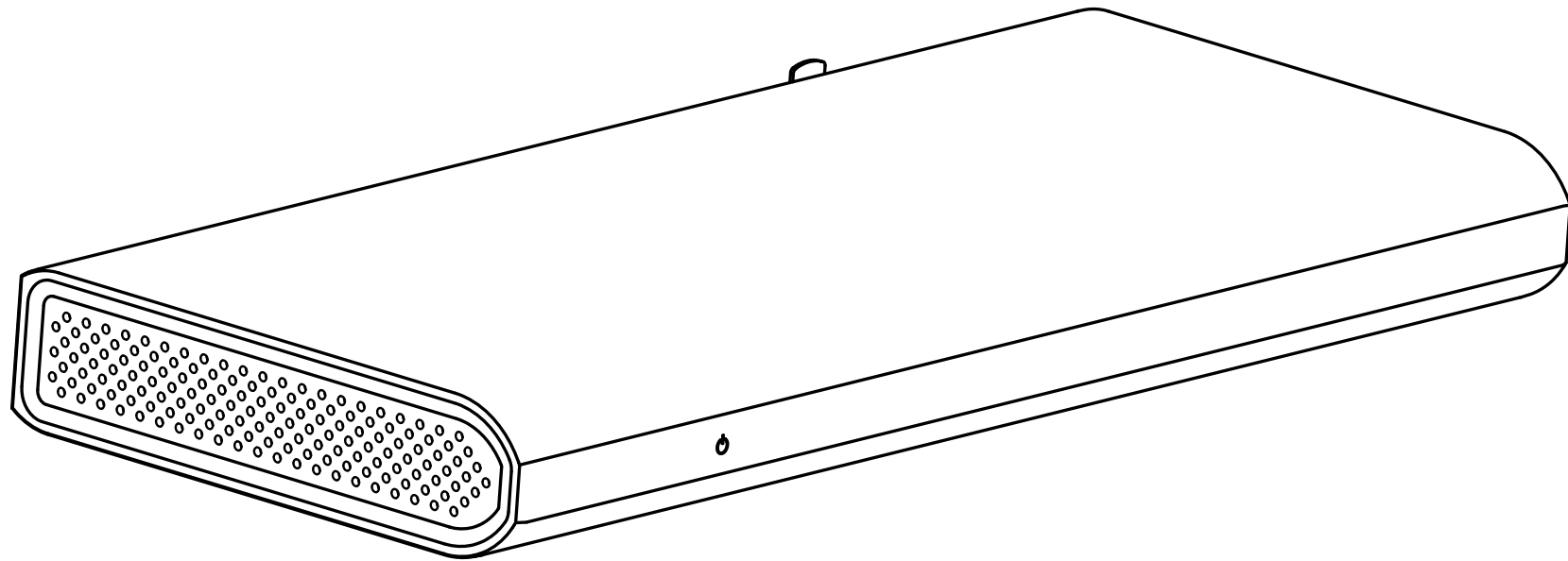
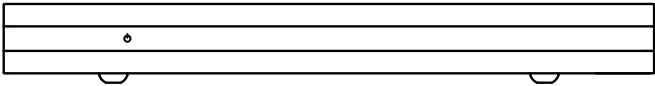


Split 4K UHD Video Conferencing Terminal



Quick Installation Guide

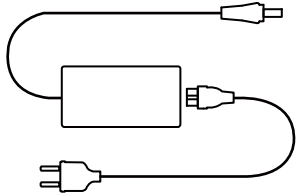
Pack List



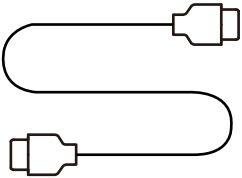
Video Conferencing Terminal x 1



Remote Control x 1



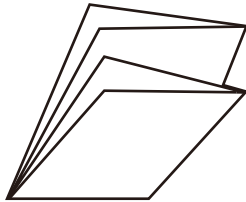
Power Adapter + AC Power Cable x 1



HDMI Cable x 1

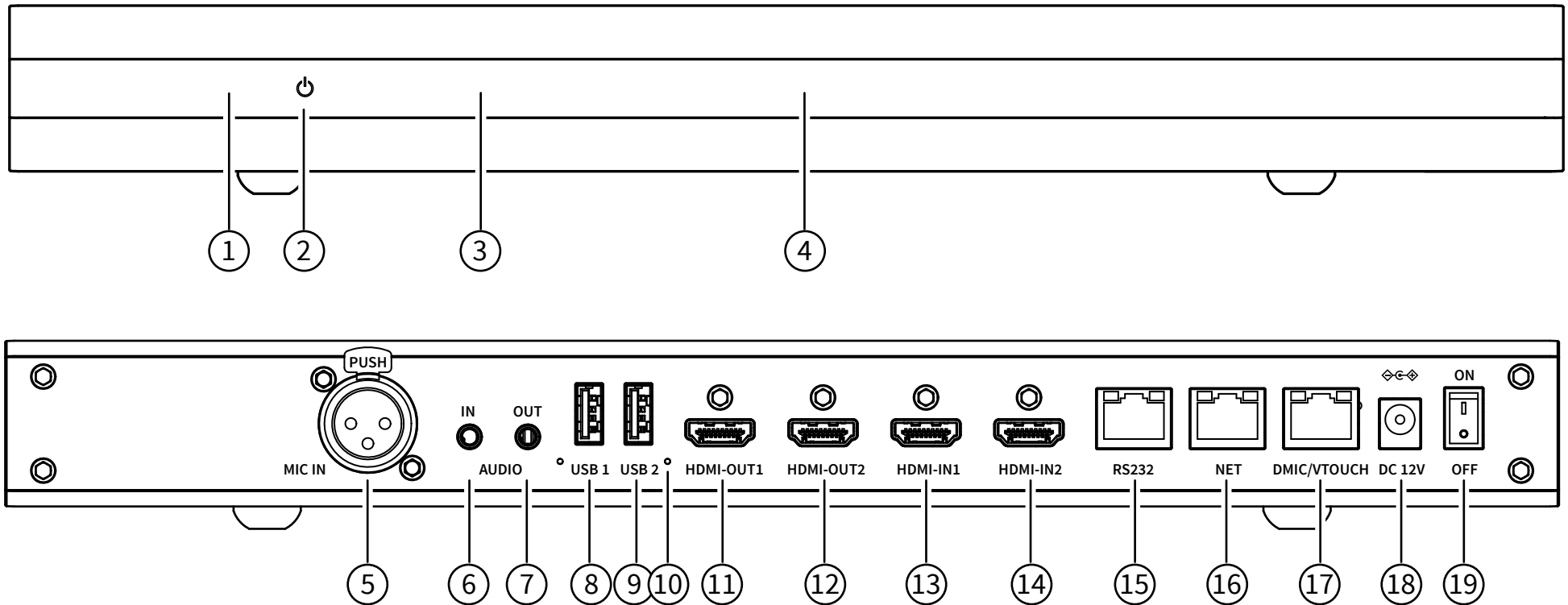


Quick Installation Guide x 1



Quick Start Guide x 1

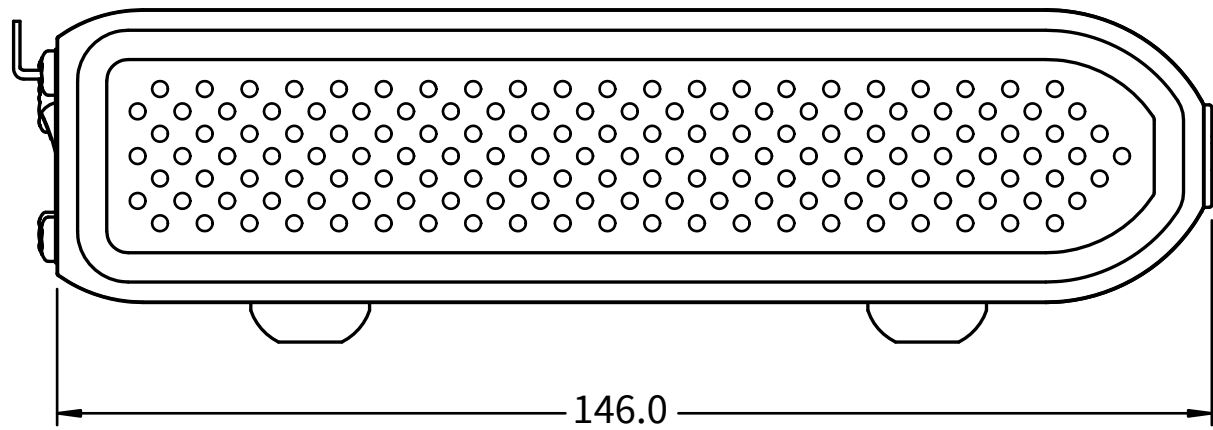
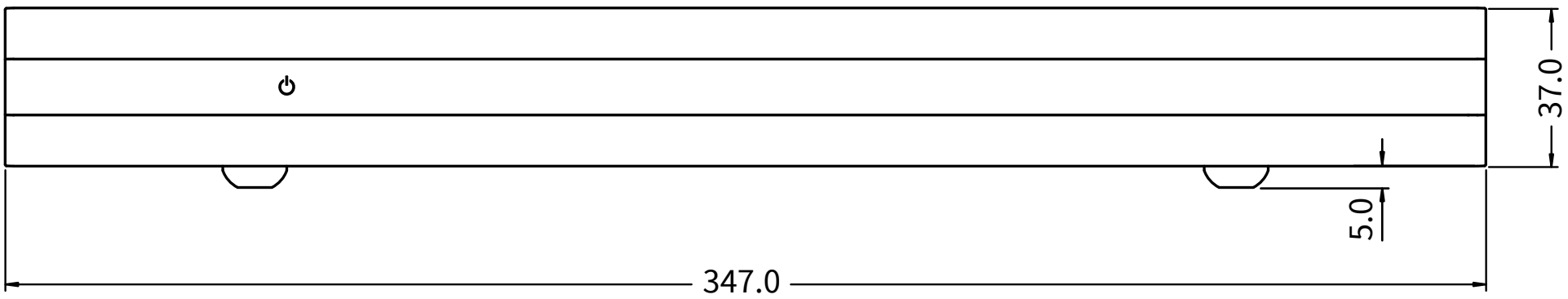
Appearance and Interface



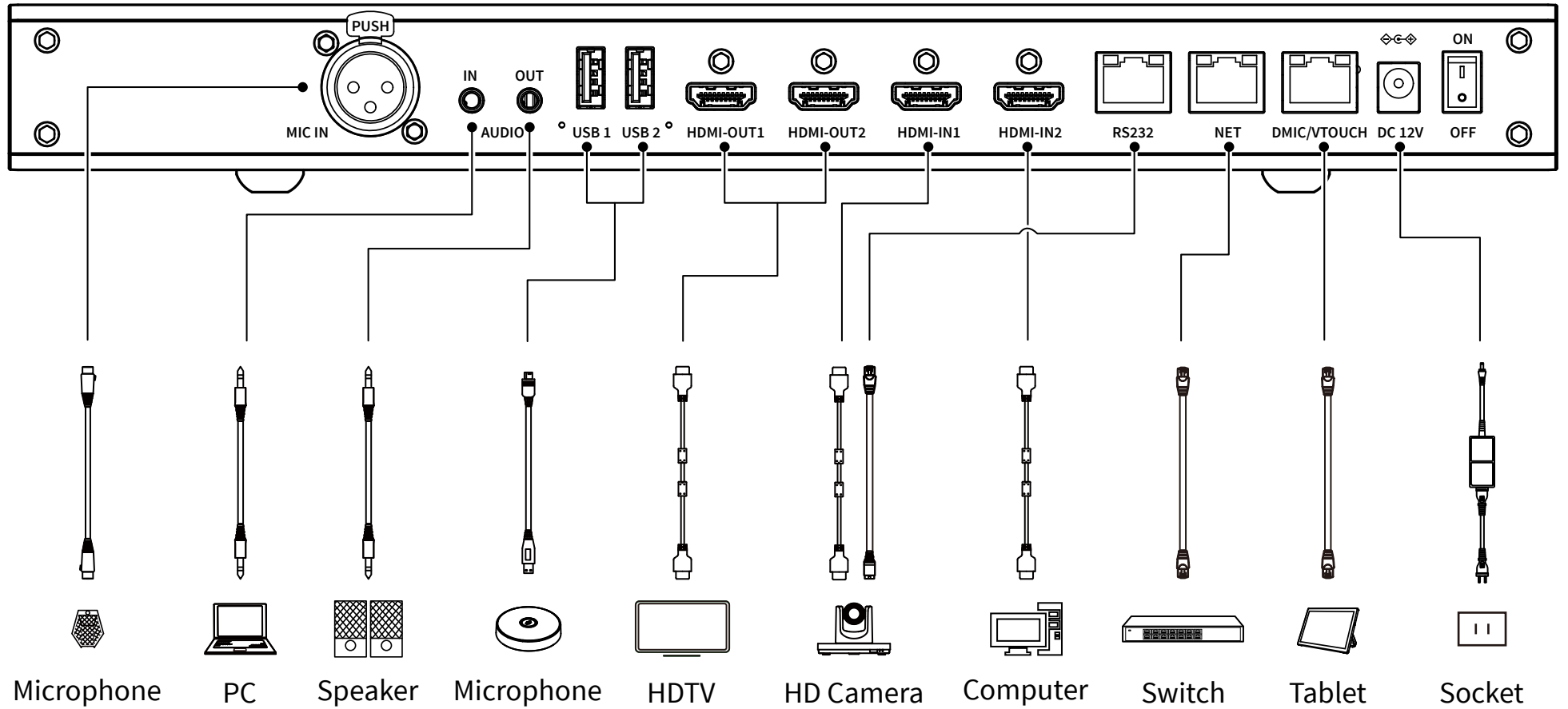
- | | | | |
|---------------------------|------------------------|-------------------------|-------------------------|
| 1. Status Indicator | 2. Standby Button | 3. OLED Display | 4. IR Window |
| 5. MIC IN Interface | 6. AUDIO IN Interface | 7. AUDIO OUT Interface | 8. USB1 Interface |
| 9. USB2 Interface | 10. Reset Button | 11. HDMI OUT1 Interface | 12. HDMI OUT2 Interface |
| 13. HDMI IN1 Interface | 14. HDMI IN2 Interface | 15. RS232 Interface | 16. NET Interface |
| 17. DMIC/VTOUCH Interface | 18. DC 12V Interface | 19. ON/OFF Button | |

Dimension

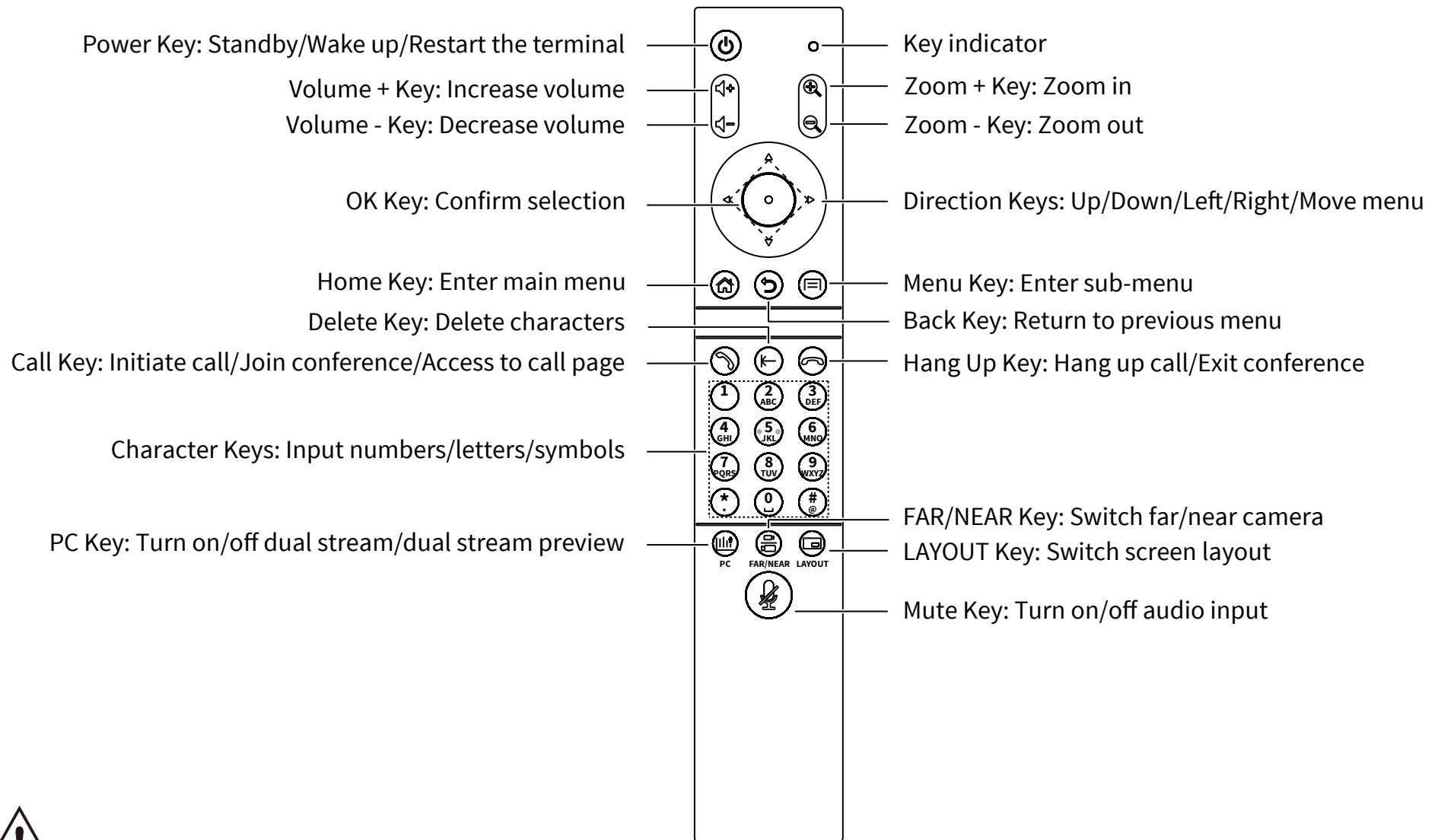
Unit: mm



Cabling



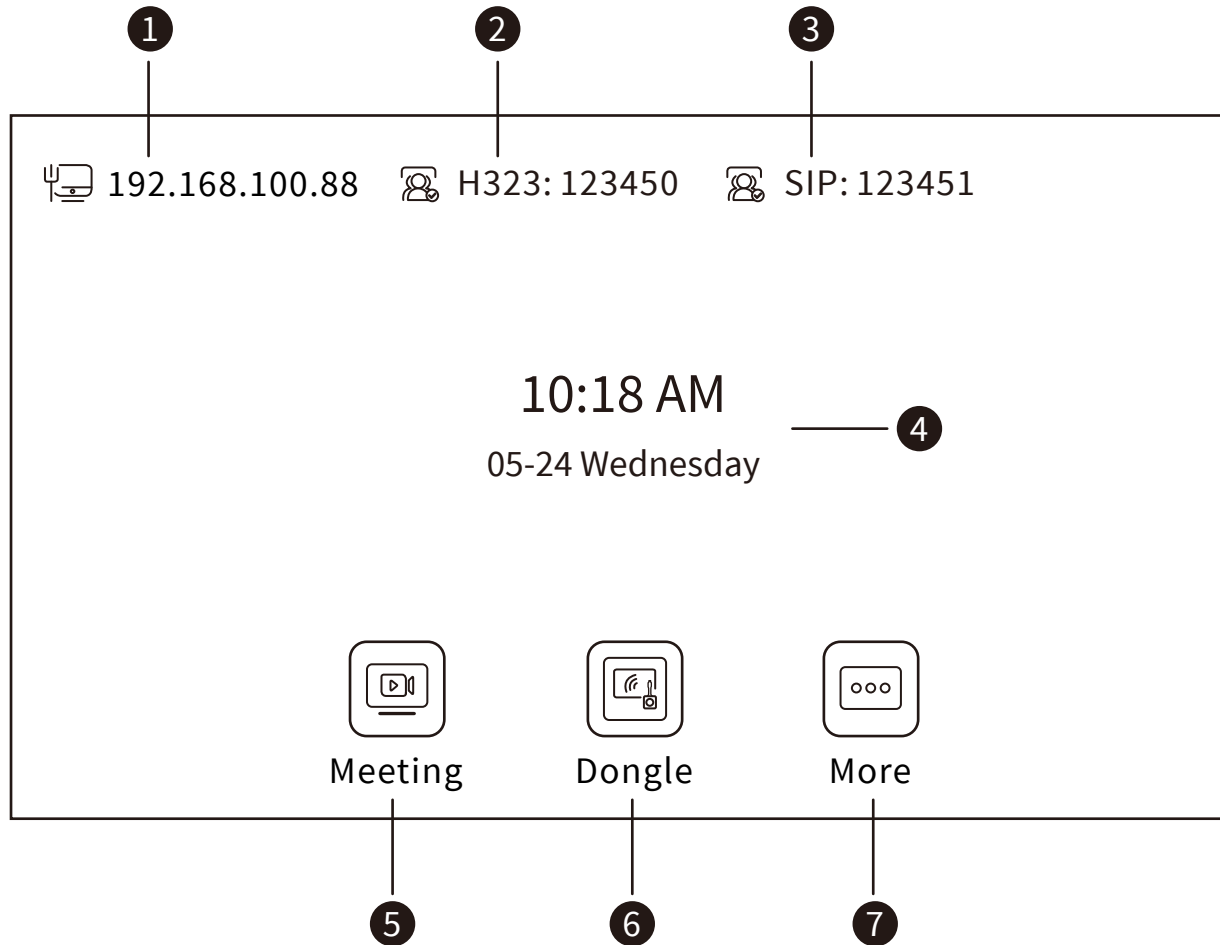
Remote Control



Notice

The remote control may be affected by strong light and the normal working range is about 10 meters.

GUI Menu



1. IP Address

2. H323 Registration Status

3. SIP Registration Status

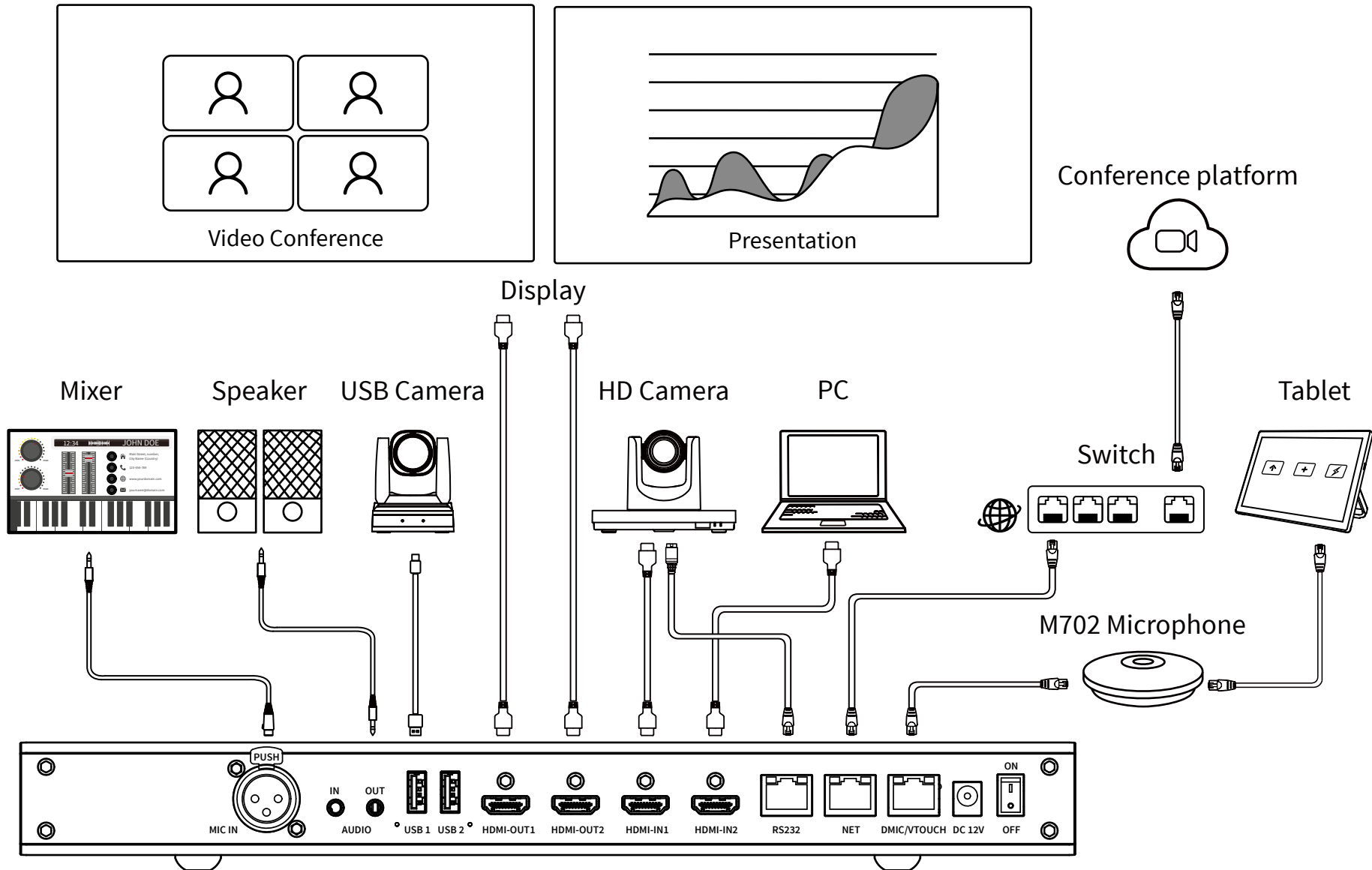
4. System Time

5. Meeting Menu

6. Dongle Menu

7. More Menu

Meeting Setup



FCC Compliance Statements

This device complies with Part 15 of the FCC Rules. Operation is subject to the following two conditions:

- (1) This device may not cause harmful interference;
- (2) This device must accept any interference received, including interference that may cause undesired operation.



Note: This equipment has been tested and found to comply with the limits for a Class B digital device, pursuant to Part 15 of the FCC Rules. These limits are designed to provide reasonable protection against harmful interference in a residential installation. This equipment generates, uses and can radiate radio frequency energy and, if not installed and used in accordance with the instructions, may cause harmful interference to radio communications. However, there is no guarantee that interference will not occur in a particular installation.

If this equipment does cause harmful interference to radio or television reception, which can be determined by turning the equipment off and on, the user is encouraged to try to correct the interference by one or more of the following measures:

- Reorient or relocate the receiving antenna.
- Increase the separation between the equipment and receiver.
- Connect the equipment into an outlet on a circuit different from that to which the receiver is connected.
- Consult the dealer or an experienced radio/TV technician for help.

Caution: Changes or modifications not expressly approved by the party responsible for compliance could void the user's authority to operate the equipment.

This equipment complies with FCC radiation exposure limits set forth for an uncontrolled environment. This equipment should be installed and operated with minimum distance 20cm between the radiator and your body.

ISED Compliance Statements

This device contains license-exempt transmitter(s)/receiver(s) that comply with Innovation, Science and Economic Development Canada's licence-exempt RSS(s). Operation is subject to the following two conditions:

- (1) This device may not cause interference;
- (2) This device must accept any interference, including interference that may cause undesired operation of the device.

L'émetteur/récepteur exempt de licence contenu dans le présent appareil est conforme aux CNR d'Innovation, Sciences et Développement économique Canada applicables aux appareils radio exempts de licence. L'exploitation est autorisée aux deux conditions suivantes:

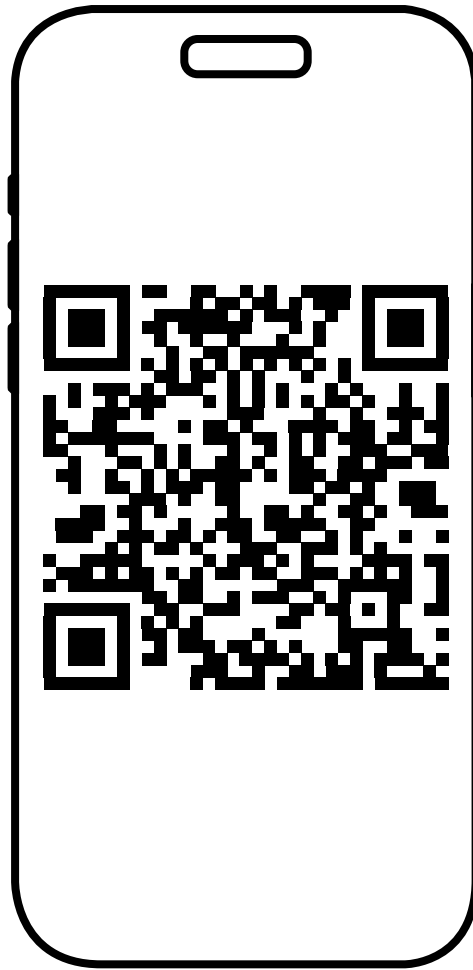
- (1) L'appareil ne doit pas produire de brouillage;
- (2) L'appareil doit accepter tout brouillage radioélectrique subi, même si le brouillage est susceptible d'en compromettre le fonctionnement.

This equipment complies with IC RSS-102 radiation exposure limits set forth for an uncontrolled environment. This equipment should be installed and operated with minimum distance 20cm between the radiator and your body.

Cet équipement est conforme aux limites d'exposition aux radiations IC CNR-102 établies pour un environnement non contrôlé. Cet équipement doit être installé et utilisé avec une distance minimale de 20cm entre le radiateur et votre corps.

- a) The device for operation in the band 5150-5250 MHz is only for indoor use to reduce the potential for harmful interference to co-channel mobile satellite systems;
- b) The maximum antenna gain permitted for devices in the band 5725-5825 MHz shall comply with the e.i.r.p. limits specified for point-to-point and non point-to-point operation as appropriate.
- c) les dispositifs fonctionnant dans la bande 5150-5250 MHz sont réservés uniquement pour une utilisation à l'intérieur afin de réduire les risques de brouillage préjudiciable aux systèmes de satellites mobiles utilisant les mêmes canaux;

Le gain maximal d'antenne permis (pour les dispositifs utilisant la bande 5725-5825 MHz). doit se conformer à la limite de p.i.r.e. spécifiée pour l'exploitation point à point et non point à point, selon le cas.



 User Manual & Operating Manual

Part No.
079.79.11010108_V1.0