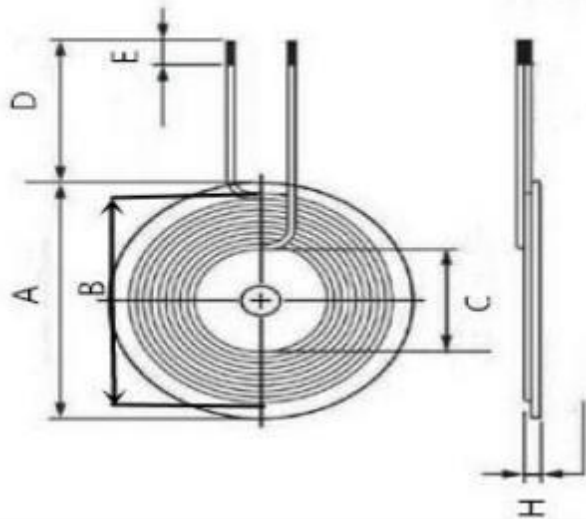


Shijie Dongguan poly source electronic products factory

Product name: 0.08*72P*6.5UH

1. Antenna Dimensions (unit: mm)



A	B	C	D	E	H
43.5±0.5	41±0.5	19.3±0.5	13±2	2-4	1.8±0.2

2. WINDING DETAILS

Wdy. No.	Start	Finish	Turns	Wire Dia.	Wdg. Type Spread / Close	Wdg. Direction
Loop	S	F	10TS	0.08*72P	Single Layer	CCW

3. ELECTRICAL CHARACTERISTICS

SPECIFICATION	TEST FREQUENCY	TEST EQUIPMENTS
3.8UH± 10%	100KHz/1.0V	LCZ METER 1062B
6.5UH± 5%	100KHz/1.0V	LCZ METER 1062B

APPROVED BY	CHECKED BY	PREPARED BY	DATE
QianLM	SuYP	FengBQ	2023/8/10