

# 1 Safety Human Exposure

## 1.1 Radio Frequency Exposure Compliance

### 1.1.1 Electromagnetic Fields

RESULT:

Pass

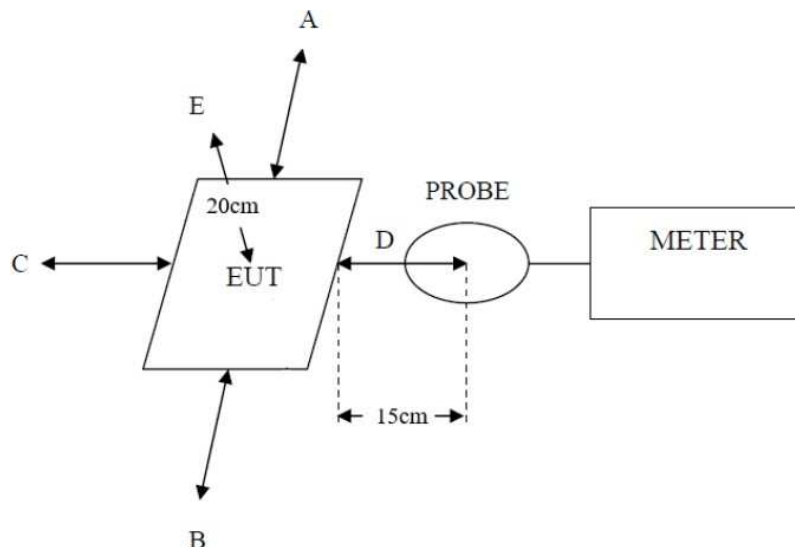
Report No. : CN23CWUO 003  
 Test item : Watch Charger (5W Wireless Charger)  
 Identification / Type No. : HKQT5261-05AL  
 FCC ID : 2ATF5-50640  
 Test standard : CFR47 FCC Part 2: Subpart J Section 1.1310  
 : FCC CFR 47 Part 1(1.1310) KDB 680106 D01 v03

According to the table 1 of FCC Part 2.1310, the reference limit as below:

Frequency range (MHz)	Electric field strength (V/m)	Magnetic field strength (A/m)	Power density (mW/cm <sup>2</sup> )	Averaging time (minutes)
<b>(A) Limits for Occupational/Controlled Exposure</b>				
0.3-3.0	614	1.63	*100	6
3.0-30	1842/f	4.89/f	*900/f <sup>2</sup>	6
30-300	61.4	0.163	1.0	6
300-1,500			f/300	6
1,500-100,000			5	6
<b>(B) Limits for General Population/Uncontrolled Exposure</b>				
0.3-1.34	614	1.63	*100	30
1.34-30	824/f	2.19/f	*180/f <sup>2</sup>	30
30-300	27.5	0.073	0.2	30
300-1,500			f/1500	30
1,500-100,000			1.0	30

f = frequency in MHz \* = Plane-wave equivalent power density

Test Setup:



## Test Result:

Table: H-Field Strength at 15 cm from the edges surrounding the EUT and 20cm from the top surface of the EUT

EUT Test Mode	Measured H-Field Strength Values (A/m)					50% Limit (A/m)	Limit (A/m)	Result
	Test Position Top	Test Position front	Test Position rear	Test Position left	Test Position right			
1% Battery Level	0.34	0.33	0.32	0.34	0.35	0.815	1.63	Pass
50% Battery Level	0.33	0.31	0.30	0.34	0.34	0.815	1.63	Pass
99% Battery Level	0.32	0.32	0.29	0.33	0.34	0.815	1.63	Pass