



FCC RF Test Report

Product Name: Smart Phone

Model Number: EVE-LX3

Report No.: SYBH(Z-RF)20221017002001-2002

FCC ID: 2ATEYEVE

Authorized	Name	Date
Prepared by:	<i>Wang Xiaobo</i>	2022-10-19
Reviewed by:	<i>Lin Jiekai</i>	2022-10-19
Approved by:		2022-10-19

Reliability Laboratory of Huawei Technologies Co., Ltd.

No.2, New City Avenue, Songshan Lake Sci. & Tech. Industry Park, Dongguan, 523808, P.R.C
Telephone: +86 769 23830808 Fax: +86 769 23837628

Notice

1. The laboratory has passed the accreditation by The American Association for Laboratory Accreditation (A2LA). The accreditation number is 2174.01.
2. The laboratory has been recognized by the US Federal Communications Commission (FCC) to perform compliance testing subject to the Commission's Certification rules. The Designation Number is CN1173, and the Test Firm Registration Number is 294140.
3. The laboratory has been recognized by the Innovation, Science and Economic Development Canada (ISED) to test to Canadian radio equipment requirements. The CAB identifier is CN0003, and the ISED# is 21741.
4. The laboratory (Reliability Lab of Huawei Technologies Co., Ltd) is also named "Global Compliance and Testing Center of Huawei Technologies Co., Ltd", the both names have coexisted since 2009.
5. The test report is invalid if not marked with the signatures of the persons responsible for preparing and approving the test report.
6. The test report is invalid if there is any evidence of erasure and/or falsification.
7. The test report is only valid for the test samples.
8. Content of the test report, in part or in full, cannot be used for publicity and/or promotional purposes without prior written approval from the laboratory.
9. If any question about this report, please contact the laboratory (PublicGCTC@huawei.com).

MODIFICATION RECORD

No.	Report No	Modification Description
1	SYBH(Z-RF)20221017002001-2002	First release.

DECLARATION

Type	Description
Multiple Models	<input checked="" type="checkbox"/> The present report applies to single model.
Applications	<input type="checkbox"/> The present report applies to several models. The practical measurements are performed with the model
	The present report only presents the worst test case of all modes, see relevant test results for detailed.

1 Table of contents

1	Table of contents.....	4
2	General Information.....	5
2.1	Test standard/s.....	5
2.2	Test Environment.....	5
2.3	Test Laboratories.....	5
2.4	Applicant and Manufacturer.....	6
2.5	Application details.....	6
3	Test Summary.....	7
4	Description of the Equipment under Test (EUT).....	8
4.1	General Description.....	8
4.2	EUT Identity.....	8
4.3	Technical Description.....	9
5	General Test Conditions / Configurations.....	11
5.1	EUT Configurations.....	11
5.2	Antenna requirements.....	12
5.3	Description of tests.....	13
5.4	Test Setups.....	16
5.5	Test Conditions.....	19
6	Main Test Instruments.....	21
6.1	Current Test Project/Report.....	21
7	Measurement Uncertainty.....	22
8	Appendixes.....	22

2 General Information

2.1 Test standard/s

Applied Rules :	47 CFR FCC Part 2, Subpart J 47 CFR FCC Part 15, Subpart C
Test Method :	FCC KDB 558074 D01 DTS Meas Guidance v05r02 ANSI C63.4-2014, American National Standard for Methods of Measurement of Radio-Noise Emissions from Low-Voltage Electrical and Electronic Equipment in the Range of 9 kHz to 40 GHz. ANSI C63.10-2013, American National Standard for Testing Unlicensed Wireless Devices.

2.2 Test Environment

Temperature :	TN	15 to 30	°C during room temperature tests
Ambient Relative Humidity:	25 to 75 %		
Atmospheric Pressure:	Not applicable		
Power supply :	VN	3.87	V DC by Battery

NOTE 1: 1) VN= nominal voltage, VL= low extreme test voltage, VH= High extreme test voltage;

TN= normal temperature, TL= low extreme test temperature, TH= High extreme test temperature.

NOTE 2: The values used in the test report may be stringent than the declared.

2.3 Test Laboratories

Test Location 1 :	RELIABILITY LABORATORY OF HUAWEI TECHNOLOGIES CO., LTD.
Address of Test Location 1 :	No.2 New City Avenue, Songshan Lake Science & Technology Industry Park Dongguan, Guangdong, 523808, People's Republic of China
Temperature of Test Location 1 :	25°C
Relative humidity of Test Location 1 :	55 %

2.4 Applicant and Manufacturer

Company Name :	Huawei Device Co., Ltd.
Address :	No.2 of Xincheng Road, Songshan Lake Zone, Dongguan, Guangdong 523808, People's Republic of China

2.5 Application details

2.5.1 Current Test Project/Report

Date of Receipt Sample:	2022-09-12
Start of test:	2022-09-13
End of test:	2022-10-19

3 Test Summary

Test Item	FCC Rule No.	Requirements	Test Result	Verdict	Testing location
20dB Emission Bandwidth (EBW)	15.247(a)(1)	No limit.	Appendix A	Pass	Test Location 1
Occupied Bandwidth	--	No limit.	Appendix A1	Pass	Test Location 1
Carrier Frequency Separation	15.247(a)(1)	$\geq \text{MAX} \{25\text{kHz}, \text{IIF}\{\text{output power} \leq 125\text{mW}, 2/3 * 20\text{dB EBW}, 20\text{dB EBW}\}\}$.	Appendix B	Pass	Test Location 1
Number of Hopping Channel	15.247(a)(1)(iii)	≥ 15 channels.	Appendix C	Pass	Test Location 1
Time of Occupancy (Dwell Time)	15.247(a)(1)(iii)	$< 0.4\text{s}$ within a period of $(0.4\text{s} * \text{hopping number})$.	Appendix D	Pass	Test Location 1
Maximum Peak Output Power	15.247(b)(1)	Conducted $< 1\text{ W}$ if using ≥ 75 non-overlapping channels.	Appendix E	Pass	Test Location 1
Band edge spurious emission	15.247(d)	$< -20\text{ dBm}/100\text{ kHz}$ if total peak power \leq power limit.	Appendix F	Pass	Test Location 1
Conducted RF Spurious Emission			Appendix G	Pass	Test Location 1
Radiated Emissions in the Restricted Bands	15.247(d) 15.209	FCC Part 15.209 field strength limit;	Appendix H	Pass	Test Location 1
AC Power Line Conducted Emissions	15.207	FCC Part 15.207 conducted limit;	Appendix I	Pass	Test Location 1
NOTE: The transmitter has an integral PCB loop antenna that is enclosed within the housing of the EUT and meets the requirements of FCC 15.203					

4 Description of the Equipment under Test (EUT)

4.1 General Description

EVE-LX3 is subscriber equipment in the GSM/WCDMA/LTE system. The Mobile Phone implements such functions as RF signal receiving/transmitting, LTE/WCDMA and GSM protocol processing, voice, video MMS service, GPS, AGPS, Wi-Fi etc. Externally it provides earphone port (to provide voice service), and dual SIM/single SIM card interface. EVE-LX3 is dual/single SIM smart phone. It also provides Bluetooth module to synchronize data between a PC and the phone, or to use the built-in modem of the phone to access the Internet with a PC, or to exchange data with other Bluetooth devices.

Note1: Only Bluetooth test data included in this report.



4.2 EUT Identity

NOTE: Unless otherwise noted in the report, the functional boards installed in the units shall be selected from the below list, but not means all the functional boards listed below shall be installed in one unit.

4.2.1 Board

Board	Description	
Product Name :	Smart Phone	
Model name :	EVE-LX3	
SN :	Conducted	9STBB22824000052
	Radiated	9STBB22824000091
Software Version :	6.0.0.115(C603E2R2P1)	
Hardware Version :	HL1EVEM	

4.2.2 Sub- Assembly

Sub-Assembly			
Sub-Assembly Name	Model	Manufacturer	Description
Adapter	HW-100225E00	Huawei Device Co., Ltd.	Input voltage: 100-240V ~50/60Hz, 0.75A Output voltage: 5V/2A,9V/2A,10V/2.25A
Adapter	HW-100225B00	Huawei Device Co., Ltd.	Input voltage: 100-240V ~50/60Hz, 0.75A Output voltage: 5V/2A,9V/2A,10V/2.25A
Adapter	HW-100225U00	Huawei Device Co., Ltd.	Input voltage: 100-240V ~50/60Hz, 0.75A Output voltage: 5V/2A,9V/2A,10V/2.25A
Adapter	HW-100225A00	Huawei Device Co., Ltd.	Input voltage: 100-240V ~50/60Hz, 0.75A Output voltage: 5V/2A,9V/2A,10V/2.25A
Battery	HB496590EFW-F	Huawei Device Co., Ltd.	Rated capacity: 4900mAh Nominal Voltage:  +3.87V Charging Voltage:  +4.45V

4.3 Technical Description

NOTE: For the detailed technical descriptions, see the applicant/manufacturer’s specifications or user manual.

Characteristic	Description
Operating Mode	Bluetooth 3.0
Occupied Channel Bandwidth	1 MHz.
Operating Frequency / Channel	2402 MHz + N * 1 MHz, N = 0 ... 78.
Data Rate	1Mbps(GFSK), 2Mbps($\pi/4$ -DQPSK), 3Mbps(8DPSK)
Baseband Modulation	GFSK, $\pi/4$ -DQPSK, 8DPSK
Bluetooth EDR Supported	<input checked="" type="checkbox"/> Supported, <input type="checkbox"/> Not Supported

Characteristics	Description	
TX/RX Operating Range (BT3.0)	2400-2483.5 MHz band	
Modulation Type	Carrier	Frequency Hopping Spread Spectrum (FHSS)
	Digital	GFSK, $\pi/4$ -DQPSK, 8DPSK
Emission Designator for BT3.0	GFSK: 944KF1D $\pi/4$ -DQPSK: 1M32G1D 8DPSK: 1M30G1D	
Bluetooth Power Class	Class 1	
Transmit Operating Mode	Operating Mode 1: Single Antenna Equipment	<input checked="" type="checkbox"/> TOM1.1: Equipment with only 1 antenna <input type="checkbox"/> TOM1.2: Equipment with 2 diversity antennas, but only 1 active at any moment in time <input type="checkbox"/> TOM1.3: Smart antenna system with ≥ 2 antennas, but operating in a (legacy) mode where only 1 is used (e.g. IEEE

Characteristics	Description	
		802.11™ legacy mode in smart antenna systems)
	Operating Mode 2: Smart Antenna Systems - Multiple Antennas without beamforming	<input type="checkbox"/> TOM2.1: Single spatial stream / Standard throughput (e.g. IEEE 802.11T™ legacy mode) <input type="checkbox"/> TOM2.2: High Throughput (> 1 spatial stream) using ≥ 1 types of Occupied Channel Bandwidth
	Operating Mode 3: Smart Antenna Systems - Multiple Antennas with beamforming	<input type="checkbox"/> TOM3.1: Single spatial stream / Standard throughput (e.g. IEEE 802.11T™ legacy mode) <input type="checkbox"/> TOM3.2: High Throughput (> 1 spatial stream) using ≥ 1 types of Occupied Channel Bandwidth
Antenna	Description	Isotropic Antenna
	Type	<input checked="" type="checkbox"/> Integral (permanent fixed antenna, which may be built-in, designed as an indispensable part of EUT) <input type="checkbox"/> Dedicated (removable antenna supplied with EUT, designed as an indispensable part of EUT)
	Ports	<input checked="" type="checkbox"/> Ant 1, <input type="checkbox"/> Ant 2, <input type="checkbox"/> Ant 3
	Gain	-1.5 dBi
	Remark	When the EUT is put into service, the practical maximum antenna gain should NOT exceed the value as described above.
Power Supply	Type	<input type="checkbox"/> External DC mains, <input checked="" type="checkbox"/> Battery, <input type="checkbox"/> AC/DC Adapter, <input type="checkbox"/> Powered over Ethernet (PoE). <input type="checkbox"/> USB <input type="checkbox"/> Other_____

5 General Test Conditions / Configurations

5.1 EUT Configurations

5.1.1 General Configurations

Configuration	Description
Test Antenna Ports	Until otherwise specified, - All TX tests are performed at all TX antenna ports of the EUT, and - All RX tests are performed at all RX antenna ports of the EUT.
Multiple RF Sources	Other than the tested RF source of the EUT, other RF source(s) are disabled or shutdown during measurements.
Sensors and Antenna	Sensors and Antenna optimization function should be disabled during testing by software method to get the stable maximum power and avoid the influence of uncertain conditions

5.1.2 Customized Configurations

5.1.2.1 Worst case Configurations

Test Mode	Packet type	Test Modes Description
TM1	DH5	GFSK
TM2	2DH5	Pi/4-DQPSK
TM3	3DH5	8DPSK

5.1.2.2 Frequencies under Test

Test Mode	RF Channel	Channel No. / Frequency
TM1/TM2/TM3	Lowest (L)	Ch No. 0 / 2402 MHz
	Middle (M)	Ch No. 39 / 2441 MHz
	Highest (H)	Ch No. 78 / 2480 MHz

5.1.2.3 The Typica and worst case operational mode for each of the following tests

5.1.2.3.1 BT3.0

Test Item	Mode	Antenna
20dB Emission Bandwidth (EBW)	All	All
Occupied Channel Bandwidth	All	All
Carrier Frequency Separation	All	All
Number of Hopping Channel	All	All
Time of Occupancy (Dwell Time)	All	All
Maximum Peak Conducted Output Power	All	All
Band edge spurious emission	All	All
Conducted RF Spurious Emission	All	All

Test Item	Mode	Antenna
Radiated Emissions in the Restricted Bands	TM1	All
AC Power Line Conducted Emissions	TM1	Ant1

5.2 Antenna requirements

Excerpt from §15.203 of the FCC Rules/Regulations:

“An intentional radiator antenna shall be designed to ensure that no antenna other than that furnished by the responsible party can be used with the device. The use of a permanently attached antenna or of an antenna that uses a unique coupling to the intentional radiator shall be considered sufficient to comply with the provisions of this section.”

The antennas of the **EVE-LX3** are **permanently attached**.

There are no provisions for connection to an external antenna.

Conclusion:

The **Smart Phone FCC ID: 2ATEYEVE** unit complies with the requirement of §15.203.

BT3.0: Ch. Frequency (MHz)

Ch.	Frequency (MHz)
00	2402
.	.
.	.
39	2441
.	.
.	.
78	2480

Frequency/ Channel Operations

5.3 Description of tests

5.3.1 Bandwidth measurement

- (a) Connect EUT test port to universal communication tester.
- (b) Set the EUT to transmit maximum output power at 2.4GHz and switch off frequency hopping function, then set the measuring frequency number, finally test the bandwidth with universal communication tester.

5.3.2 Carrier frequency separation measurement

- (a) Connect EUT test port to spectrum analyzer and universal communication tester.
- (b) Set the EUT to transmit maximum output power at 2.4GHz and switch off frequency hopping function, then set the measured frequency number to two adjacent channels separately and test the carrier frequency separation with spectrum analyzer.

5.3.3 Number of hopping channel

- (a) Connect EUT test port to spectrum analyzer and universal communication tester.
- (b) Set the EUT to transmit maximum output power at 2.4GHz and switch on frequency hopping function, then set enough count time (larger than 5000 times) to get all the hopping frequency channel displayed on the screen of spectrum analyzer.
- (c) Count the quantity of peaks to get the number of hopping channels.

5.3.4 Time of occupancy

- (a) Connect test port of EUT to spectrum analyzer and universal communication tester.
- (b) Set the EUT to transmit maximum output power at 2.4GHz and switch on frequency hopping function.
- (c) Set the span of spectrum analyzer to 0 Hz, and set the resolution bandwidth to 1 MHz and the video bandwidth to 1 MHz, then get the time domain measured diagram. and set sweep time to 2 times of one burst occupancy time, and measure the time of occupancy of one burst.
- (d) Set the resolution bandwidth to 1 MHz and the video bandwidth to 3 MHz, and set the sweep time to a period (0.4 seconds multiplied by the number of hopping channels employed), and count the number of the bursts.
- (e) Calculate the time of occupancy in a period with time occupancy of a burst and quantity of bursts

5.3.5 Peak output power

- (a) Connect EUT test port to spectrum analyzer and universal communication tester.
- (b) Set the EUT to transmit maximum output power at 2.4GHz and switch off frequency hopping function.
- (c) Then set the EUT to transmit at high, middle and low frequency and measure the conducted output power separately.

5.3.6 Band edge spurious emission

- (a) Connect EUT test port to spectrum analyzer and universal communication tester
- (b) Set the EUT to transmit maximum output power at 2.4GHz and switch off frequency hopping function.
- (c) Then set the EUT to transmit at high, low frequency and measure the conducted band edge spurious separately.
- (d) Switch on the frequency hopping function, and repeat above measurement.

5.3.7 Conducted RF Spurious

- (a) Connect EUT test port to spectrum analyzer and universal communication tester
- (b) Set the EUT to transmit maximum output power at 2.4GHz and switch off frequency hopping function.
- (c) Then set the EUT to transmit at high, middle and low frequency and measure the conducted spurious separately.
- (d) Switch on the frequency hopping function, and repeat the above measurement.

5.3.8 Radiated spurious emission & spurious in restricted band

For frequency below 1GHz, the test site semi-anechoic chamber has met the requirement of NSA tolerance 4dB according to the standards: ANSI C63.10 (2013). The EUT was set-up on insulator 80cm above the Ground Plane. For frequency above 1GHz, the test site full-anechoic chamber has met the requirement of ANSI C63.10 (2013). The EUT was set-up on insulator 150cm above the Ground Plane.

The set-up and test methods were according to ANSI C63.10:2013. The Radiated Disturbance measurements were made using a Rohde and Schwarz Test Receiver and control software.

A preliminary scan and a final scan of the emissions were made by using test script of software; the emissions were measured using a Quasi-Peak Detector below 1GHz, Peak Detector and AV detector above 1GHz. The maximal emission value was acquired by adjusting the antenna height, polarisation and turntable azimuth in accordance with the software setup. Normally, the height range of antenna was 1m to 4m, and the azimuth range of turntable was 0° to 360°. The receive antenna has two polarizations V and H.

A portable or small unlicensed wireless device shall be placed on a non-metallic test fixture or other nonmetallic support during testing. The supporting fixture shall permit orientation of the EUT in each of three orthogonal (x, y, z) axis positions such that emissions from the EUT are maximized.

The EUT communicates with the BTS simulator through Air interface. The EUT transmits maximum output power at 2.4GHz and switch off frequency hopping function.

Measurement bandwidth: 30 MHz - 1000 MHz: 120 kHz

Measurement bandwidth: 1000 MHz - 10th Carrier Frequency: 1 MHz

5.3.9 Conducted Emission at Power Port

The Table-top EUT was placed upon a non-metallic table 0.8 m above the horizontal metal reference ground plane. EUT was connected to LISN and LISN was connected to reference Ground Plane. EUT was 80cm from LISN. The set-up and test methods were according to ANSI C63.10: 2013.

Conducted Disturbance at AC Port measurements were undertaken on the L and N Lines. The emissions were measured using a Quasi-Peak Detector and Average Detector.

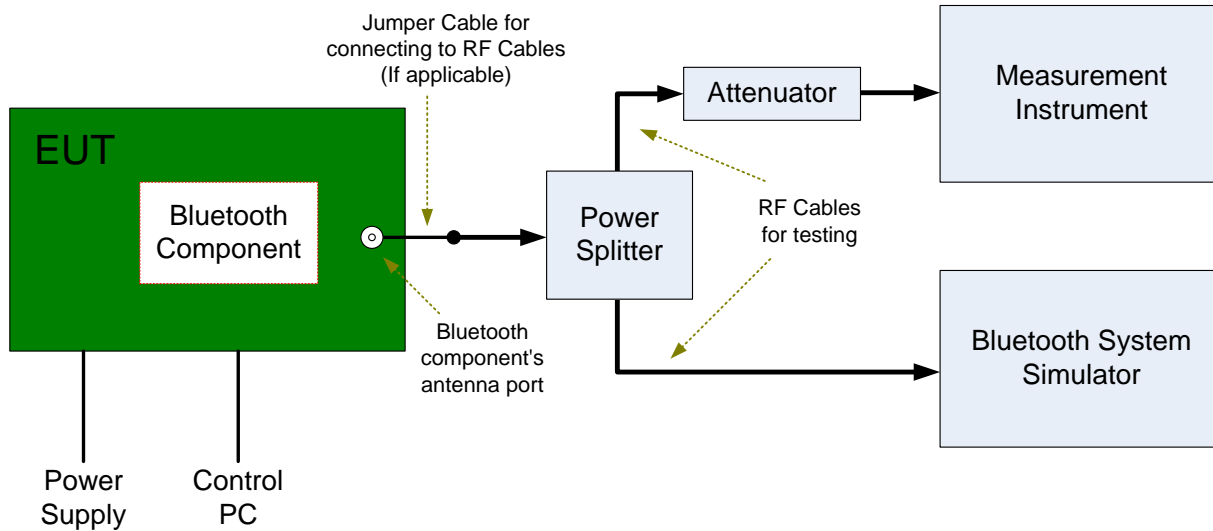
The EUT communicates with the BTS simulator through Air interface, the BTS simulator controls the EUT to transmitter the maximum power which defined in specification of product. The EUT operated on the typical channel.

Measurement bandwidth (RBW) for 150kHz to 30 MHz: 9 kHz;

5.4 Test Setups

5.4.1 Test Setup 1

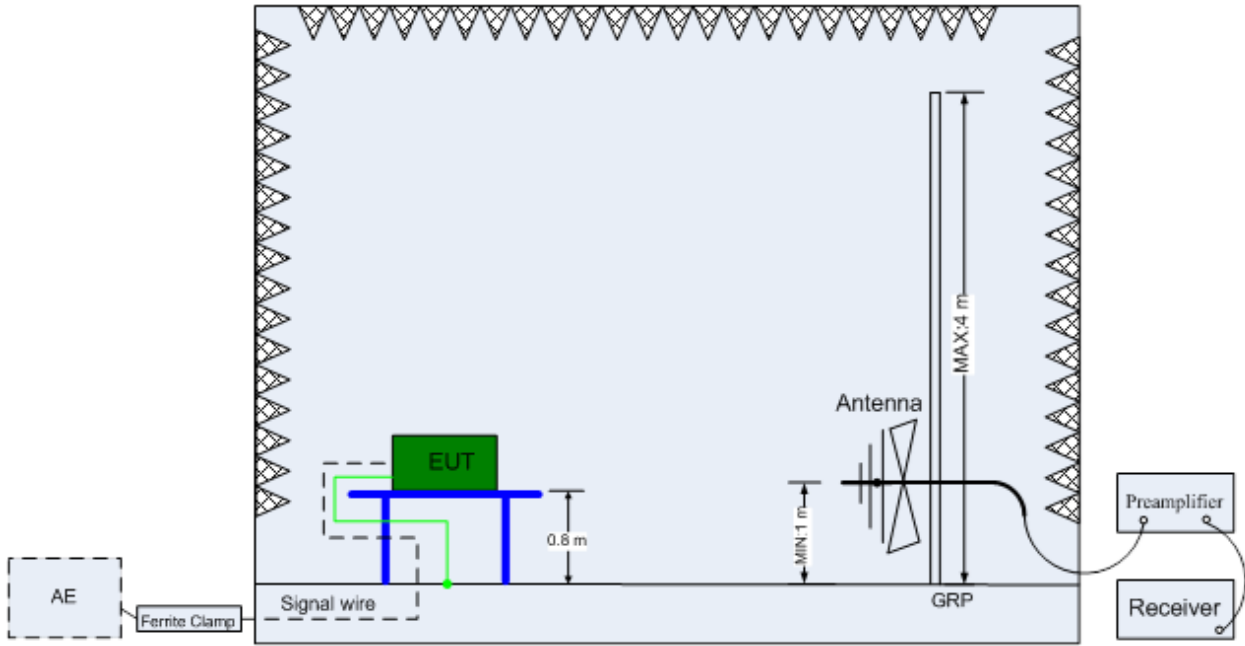
The Bluetooth component's antenna port(s) of the EUT are connected to the measurement instrument per an appropriate attenuator. The EUT is controlled by Bluetooth System Simulator and/or PC/software to emit the specified signals for the purpose of measurements.



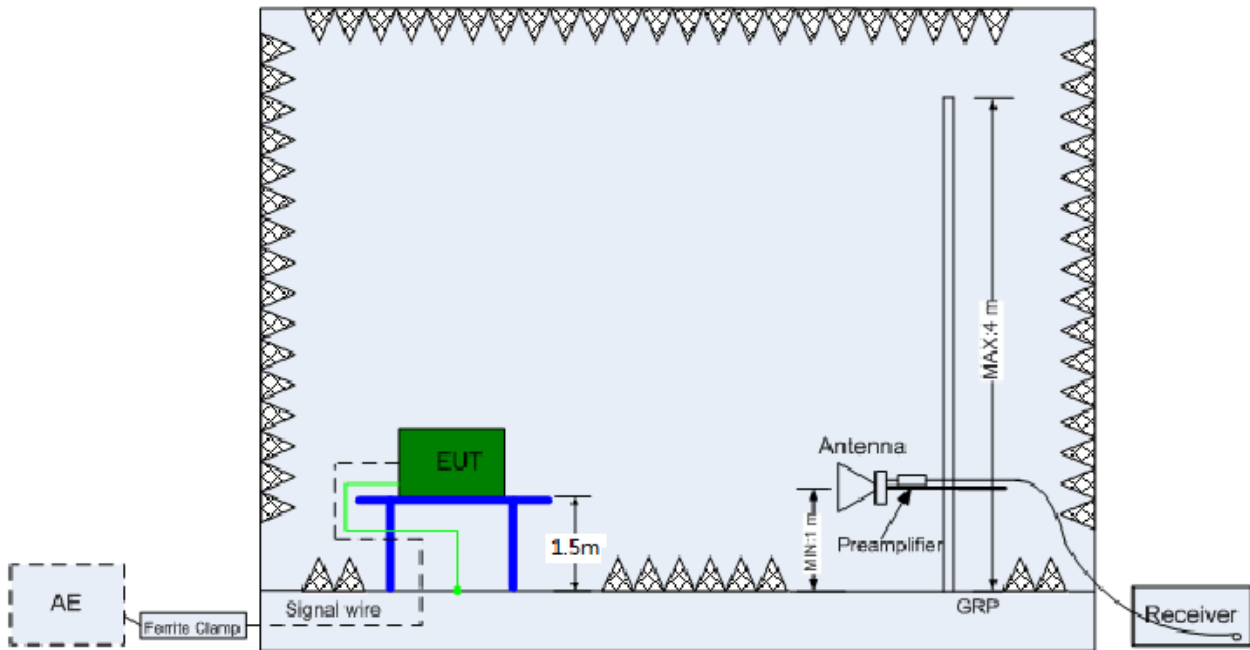
5.4.2 Test Setup 2

The semi-anechoic chamber and full-anechoic chamber has met the requirement of ANSI C63.4. The test distance is 3m. The setup is according to ANSI C63.4 and CAN/CSA-CEI/IEC CISPR 22.

The maximal emission value is acquired by adjusting the antenna height, polarisation and turntable azimuth. Normally, the height range of antenna is 1 m to 4 m, the azimuth range of turntable is 0° to 360°, and the receive antenna has two polarizations Vertical (V) and Horizontal (H).



(Below 1 GHz)

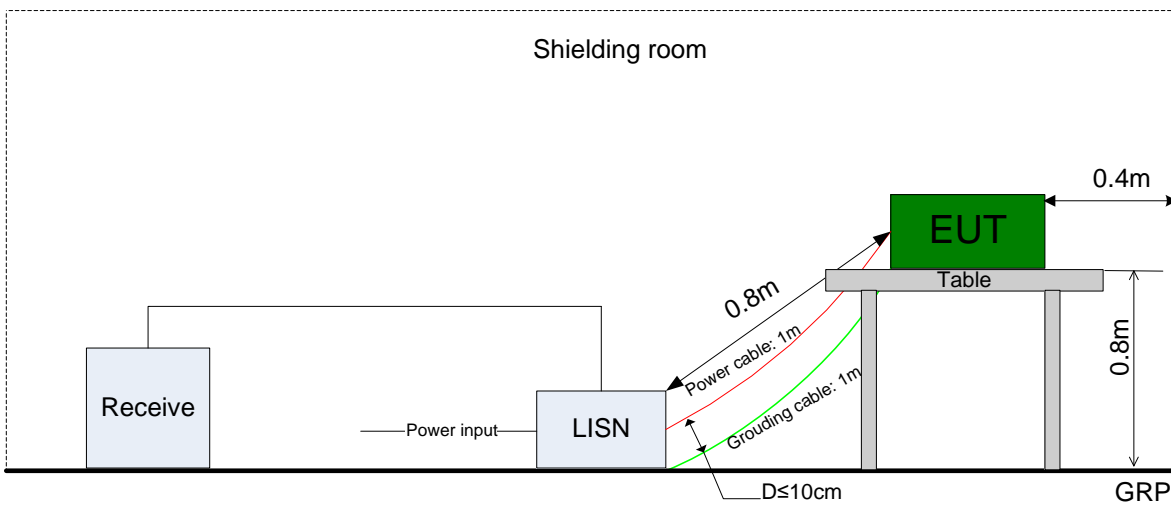


(Above 1 GHz)

5.4.3 Test Setup 3

The mains cable of the EUT (maybe per AC/DC Adapter) must be connected to LISN. The LISN shall be placed 0.8 m from the boundary of EUT and bonded to a ground reference plane for LISN mounted on top of the ground reference plane. This distance is between the closest points of the LISN and the EUT. All other units of the EUT and associated equipment shall be at least 0.8m from the LISN.

Ground connections, where required for safety purposes, shall be connected to the reference ground point of the LISN and, where not otherwise provided or specified by the manufacturer, shall be of same length as the mains cable and run parallel to the mains connection at a separation distance of not more than 0.1 m.



5.5 Test Conditions

Test Case	Test Conditions	
	Configuration	Description
20dB Emission Bandwidth (EBW)	Meas. Method	C63.10 §7.8.7
	Test Env.	TN/VN
	Test Setup	Test Setup 1
	Test Frequency	No-hopping(L, M, H)
	EUT Conf.	See §5.1
Carrier Frequency Separation	Meas. Method	C63.10 §7.8.2
	Test Env.	TN/VN
	Test Frequency	Normal hopping
	Test Setup	Test Setup 1
	EUT Conf.	See §5.1
Number of Hopping Channel	Meas. Method	C63.10 §7.8.3
	Test Env.	TN/VN
	Test Setup	Test Setup 1
	Test Frequency	Normal hopping
	EUT Conf.	See §5.1
Time of Occupancy (Dwell Time)	Meas. Method	C63.10 §7.8.4
	Test Env.	TN/VN
	Test Setup	Test Setup 1
	Test Frequency	Normal hopping
	EUT Conf.	See §5.1
Maximum Peak Conducted Output Power	Meas. Method	C63.10 §7.8.5
	Test Env.	TN/VN
	Test Setup	Test Setup 1
	Test Frequency	No-hopping(L, M, H)
	EUT Conf.	See §5.1
Band edge spurious emission	Meas. Method	C63.10 §7.8.6
	Test Env.	TN/VN
	Test Setup	Test Setup 1
	Test Frequency	Normal hopping & No-hopping(L, H)
	EUT Conf.	See §5.1
Conducted RF Spurious Emission	Meas. Method	C63.10 §7.8.8
	Test Env.	TN/VN
	Test Setup	Test Setup 1
	Test Frequency	No-hopping(L, M, H)
	EUT Conf.	See §5.1
Radiated Emissions in the Restricted Bands	Meas. Method	C63.4, C63.10. (1) 30 MHz to 1 GHz: Pre: RBW = 100 kHz; VBW = 300 kHz; Det. = Peak.

Test Case	Test Conditions	
	Configuration	Description
		Final: RBW = 120 kHz; Det. = CISPR Quasi-Peak. (2) 1 GHz to 26.5 GHz: Average: RBW = 1 MHz; VBW = 10 Hz; Det. = Peak; Sweep-time = Auto; Trace = Single. Peak: RBW = 1 MHz; VBW = 3 MHz; Det. = Peak; Sweep-time = Auto; Trace ≥ Max Hold * 100.
	Test Env.	TN/VN
	Test Setup	Test Setup 2
	Test Frequency	No-hopping(L, H)
	EUT Conf.	See §5.1
AC Power Line Conducted Emissions	Meas. Method	AC mains conducted. Pre: RBW = 10 kHz; Det. = Peak. Final: RBW = 9 kHz; Det. = CISPR Quasi-Peak & Average.
	Test Env.	TN/VN
	Test Setup	Test Setup 3
	Test Frequency	No-hopping(L, H)
	EUT Conf.	See §5.1

6 Main Test Instruments

6.1 Current Test Project/Report

Main Test Equipments(BT/WIFI test system)					
Equipment Name	Manufacturer	Model	Serial Number	Cal Date	Cal-Due
Power Sensor	R&S	NRX	102976/102832	2022/07/04	2023/07/03
Universal Radio Communication Tester	R&S	CMW500	163743	2022/02/24	2023/02/23
Signal Analyzer	R&S	FSW26	101585	2022/07/04	2023/07/03

Main Test Equipments(RE test system)					
Equipment Name	Manufacturer	Model	Serial Number	Cal Date	Cal-Due
Test receiver	R&S	ESW44	101878	2021/11/13	2022/11/12
LOOP Antennas(9kHz-30MHz)	R&S	HFH2-Z2	100262	2021/07/11	2023/07/10
Trilog Broadband Antenna (30M~3GHz)	SCHWARZB ECK	VULB 9163	01327	2021/05/28	2023/05/27
Trilog Broadband Antenna (1GHz~18GHz)	SCHWARZB ECK	HF907	100305	2021/05/08	2023/05/07
Trilog Broadband Antenna (18GHz~40GHz)	SCHWARZB ECK	BBHA 9170	BBHA9170647	2021/09/14	2023/09/13
Software Information					
Test Item	Software Name		Manufacturer	Version	
RE	EMC32		R&S	V10.60.20	

Main Test Equipments(CE test system)					
Equipment Name	Manufacturer	Model	Serial Number	Cal Date	Cal-Due
Test receiver	R&S	ESU26	100150	2021/11/13	2022/11/12
Line Impedance Stabilization Network	R&S	ENV216	101176	2022/07/04	2023/07/03
Software Information					
Test Item	Software Name		Manufacturer	Version	
CE	EMC32		R&S	V9.25.0	

7 Measurement Uncertainty

For a 95% confidence level, the measurement expanded uncertainties for defined systems, in accordance with the recommendations of ISO 17025 as following:

Test Item		Extended Uncertainty
Transmit Output Power Data	Power [dBm]	U = 0.39 dB
Bandwidth	Magnitude [%]	U=7%
Band Edge Compliance	Disturbance Power [dBm]	U = 0.9 dB
Spurious Emissions, Conducted	Disturbance Power [dBm]	20MHz~3.6GHz: U=0.88dB 3.6GHz~8.4GHz: U=1.08dB 8.4GHz~13.6GHz: U=1.24dB 13.6GHz~22GHz: U=1.34dB 22GHz~26.5GHz: U=1.36dB
Field Strength of Spurious Radiation	ERP/EIRP [dBm]	For 3 m Chamber: U = 3.868 dB (9 kHz to 150 kHz) U = 3.782 dB (150 kHz to 30 MHz) U = 5.24 dB (30 MHz-1 GHz) U = 4.84 dB (1 GHz-18 GHz) U = 4.62 dB (18 GHz-26.5 GHz)
AC Power Line Conducted Emissions	Disturbance Voltage[dBμV]	U=2.3 dB
Duty Cycle	Duty Cycle [%]	U=±2.06 %

8 Appendixes

Appendix No.	Description
SYBH(Z-RF)20221017002001-2002-A	Appendix for Bluetooth

END