

User Manual

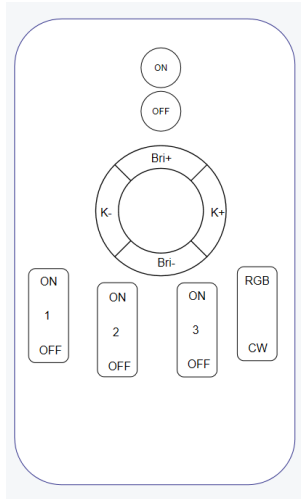
Lights Remote Control | SC4R1

www.ibroadlink.com

Email: support@ibroadlink.com

| Overview

Front



Back

Battery Cover

* Requires 2x AAA batteries (not included in package)

* Works with FastCon BLE lights

| Button Description

Button	Function	Description
ON	All ON	
OFF	All OFF	
Bri+	Brighten	Press shortly to brighten/dim 1 level;
Bri-	Dim	Press and hold to brighten/dim continuously
K+	Cooler Color	Press shortly to tune color temperature cooler/warmer 1 level;
K-	Warmer Color	Press and hold to tune color temperature continuously;
Group 1/2/3 ON	Group ON / Pair	Press and hold to pair lights (in pairing mode) to specific group;
Group 1/2/3 OFF	Group OFF	Quickly press 5x to unpair lights (in pairing mode) from group

RGB	Change Color	Press to change color between Red, Green and Blue (under same brightness)
CW	Change Color Temp	Press to change color temperature between Cool White, Warm White and Neutral (under same brightness)

* Dimming (Bri+/-) and color temperature tuning (K+/-) are effective to All or Group 1/2/3 according to last ON/OFF target

| Pair Lights

- Power up the lights (if they are already powered up, switch them off and on just once) to enable pairing mode. The pairing mode will last for 10s.
- Press and hold ON button of group 1/2/3 during lights pairing mode. The lights will be automatically paired to the group if they flash twice.

| Unpair Lights from Group

- Switch the lights off and on just once to enable pairing mode.
- Quickly press 5 times of OFF button of the group during lights pairing mode to unpair lights from group

| Important Notices

- The battery can last for 2 years for typical use. If the LED doesn't light up when pressing, the battery might be used up and changing a new battery is required.
- The use of remote control DOES NOT require App. If you want to use App control, please follow the user manual in specific lighting product to pair lights in App. Pairing lights in App doesn't affect use of remote control.

| FCC Radiation Exposure Statement

- FCC ID: 2ATEV-SC4R1
- This device complies with Part 15 of the FCC Rules. Operation is subject to the following two conditions: (1) This device may not cause harmful interference, and (2) this device must accept any interference received, including interference that may cause undesired operation.

RF exposure statement

- This equipment complies with the FCC radiation exposure limits set forth for an uncontrolled environment. This transmitter must not be co-located or operating in conjunction with any other antenna or transmitter.

NOTE 1: This equipment has been tested and found to comply with the limits for a Class B digital device, pursuant to part 15 of the FCC Rules. These limits are designed to provide reasonable protection against harmful interference in a residential installation. This equipment generates uses and can radiate radio frequency energy and, if not installed and used in accordance with the instructions, may cause harmful interference to radio communications. However, there is no guarantee that interference will not occur in a particular installation. If this equipment does cause harmful interference to radio or television reception, which can be determined by turning the equipment off and on, the user is encouraged to try to correct the interference by one or more of the following measures:

- - Reorient or relocate the receiving antenna.
- - Increase the separation between the equipment and receiver.
- -Connect the equipment into an outlet on a circuit different from that to which the receiver is connected.
- -Consult the dealer or an experienced radio/TV technician for help.

NOTE 2: Any changes or modifications to this unit not expressly approved by the party responsible for compliance could void the user's authority to operate the equipment.



BroadLink[®]

Access product tutorials and manuals from



Official Website



Facebook



YouTube



Twitter

Having issues of using the product?
Please contact us before returning.

 support@ibroadlink.com

We are always be ready to help until you smile :)