

MEET

MILO 1W PANELS

FERMAX

INSTALLER MANUAL

CONGRATULATIONS FOR BUYING A QUALITY PRODUCT!

Fermax Electrónica develops and manufactures premium equipment that meets the highest design and technology standards. We hope you will enjoy all its functions.

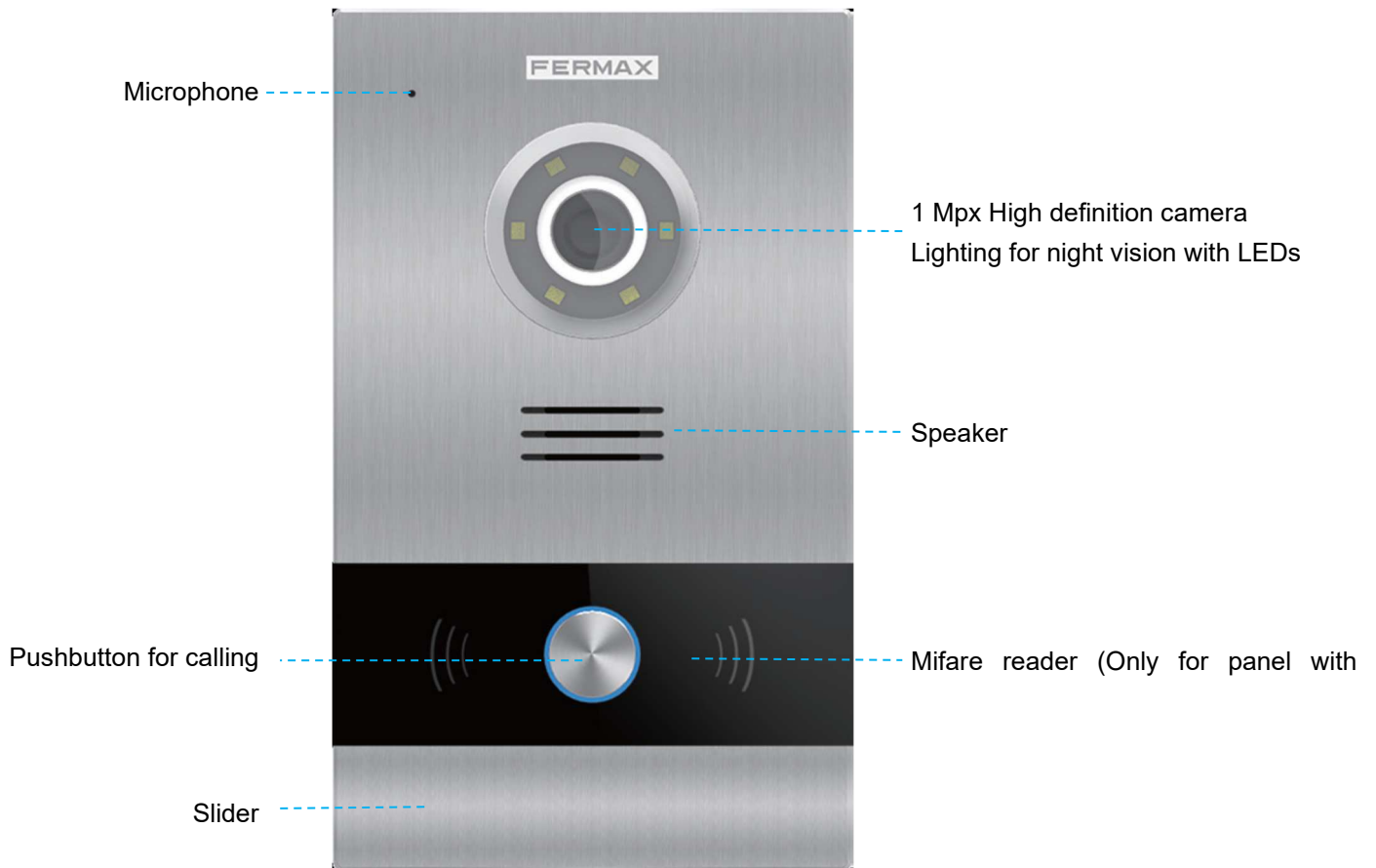
*Technical publication for information purposes edited by FERMAX ELECTRÓNICA S.A.U.
FERMAX ELECTRÓNICA applies a continuous improvement policy, therefore it reserves the right to modify the contents of this document, as well as the product features hereof at any time and without prior notice. Any modification will be reflected in subsequent editions of this document.*

INDEX

1	Product Introduction	4
1.1	Overview	4
2	Functions Introduction	5
2.1	Call Apartment	5
2.2	Mifare Reader (Only panel with proximity reader)	5
3	Configuration via Web Server	6
3.1	Device Information	6
3.2	General Settings	7
3.3	Network Settings	9
3.4	ACC	10
3.5	SIP Settings	11
3.6	Advanced Settings	12
3.7	Pincode Settings	12
3.8	Restore	13
4	Installation	14
4.1	Installation height	14
4.2	Installation Step Diagram	15
4.3	Connectors	16
4.4	Technical Parameters	17

1 Product Introduction

1.1 Overview



2 Functions Introduction

- Call apartment
- Open door, relay delay settings
- Connect exit button
- Speech message for release lock
- Door opened alarm
- Tamper alarm
- Alarm management by access control (only panel with proximity reader)

2.1 Call Apartment

Visitor push the pushbutton for calling in the 1W Panel, the ring back tone will be sent, meanwhile the monitor will ring. The monitor will show video and can conversation after answer, then release lock.

2.2 Mifare Reader (Only panel with proximity reader)

Residents can access to their corresponding entrance by passing authorized Mifare card when the card close reader, the door will open and sent speech message if succeeded.

3 Configuration via Web Server

The 1W panel has an integrated web server, which allows to configure the parameters. This web server is accessed via the panel's IP address.

The browser opens with the configured IP address of the panel. A screen opens requesting a username and password.

Default IP: 10.1.1.2

Username: admin

Password: 123456

3.1 Device Information

The following information is displayed: device name, firmware version, MAC address, IP address about the panel.

DEVICE	DEVICE INFO
GENERAL	
NETWORK	FERMAX MEET PANEL
ACC	FIRMWARE: V03.00
SIP	DEVICE:1W PANEL 028-0101-01
SIP TRUNK	MAC:BC:F8:11:0D:FB:40
SIP CALL	IP:200.200.200.240
ADVANCED	COPYRIGHT © FERMAX ELECTRONICA S.A.U
PINCODE	www.fermax.com
RESTORE	

3.2 General Settings

TYPE 1W PANEL

BLOCK: Block number the 1W panel, between 001 and 999 (default option 1).

APARTMENT: Apartment number communicates with 1W panel, between 0001 and 9899 (default option 101).

DEVICE NO.: Panel Number, between 1 and 9 (default option 1).

DEVICE TAG: Text to be shown in the monitor and other concierge.

LANGUAGE: Select the desired language for the drop-down options (default option ENGLISH).
Refresh the webpage after change the language.

PANEL VOLUME: Select the desired value between 1 and 6, (default option 4).

The conversation volume is common for uplink and downlink.

DOOR OPEN VOICE: Enables or disables the speech when door lock is released. If the speech is disabled, no speech in the panel will sound when the lock is released. Enabled by default.

VIDEO RESOLUTION: In order to fit the different types of monitor. The default value 640×480 is to be used usually.

SIP DIVERT MODE:

PARALLEL CALL: When the panel calls the resident, the monitor and the call divert APP ring at the same time. Once one terminal answers the call the other one stops ringing.

SEQUENTIAL CALL: When the panel calls the resident, the monitor will ring about 30s if no answer, the call divert APP will start to ring.

DATE FORMAT: Date format.

DATE: Setting the date of panel.

TIME: Setting the time of panel.

TIME ZONE: Setting the time zone of panel.

Select local time zone and save.

If the project has no management software the installer can set date, time and time zone manually. If the project has management software, the date and time of panel will synchronizes automatically with the management software. If the panel has access to internet, the date and time of panel will also synchronize with internet time server.

NOTE:

Do not use TIME ZONE setting if panel is connected to Internet or Management Software.

Date and time can't be saved after power loss, the time zone and date format can be saved.

- DEVICE
- GENERAL
- NETWORK
- ACC
- SIP
- SIP TRUNK
- SIP CALL
- ADVANCED
- PINCODE
- RESTORE

GENERAL SETTINGS

TYPE:	1W PANEL
BLOCK:	28
APARTMENT:	101
DEVICE NO.:	1
DEVICE TAG:	(≦ 16 CHARACTERS)
LANGUAGE:	ENGLISH
PANEL VOLUME:	1
DOOR OPEN VOICE:	<input checked="" type="checkbox"/>
VIDEO RESOLUTION:	640x480
SIP DIVERT MODE:	PARALLEL CALL
DATE FORMAT:	DD/MM/YYYY
DATE:	02 / 01 / 2018
TIME:	01 : 18 : 59
TIME ZONE:	GMT+01:00

3.3 Network Settings

MEET allows to the installer to define the IP range according to the project needs and make the network management easier. MEET panel network mode is static mode. Ensure that each device has a unique IP address in same installation. The devices (digital panel, monitor and guard unit) will show IP conflict if there same IP is used on the same LAN.

IP: IP address of the panel (default option 10.1.1.2).

MASK: Subnet mask of the panel (default option 255.0.0.0).

GATEWAY: Default gateway of the panel (default option 10.254.0.1).

DNS: DNS of the panel (default option 8.8.8.8).

SOFTWARE IP: IP address of PC where MEET management software is installed.
(default option 10.0.0.200).

SW. PIN: The pin code is to be used when the panel is registered in MEET management software.

DEVICE	NETWORK SETTINGS
GENERAL	
NETWORK	
ACC	
SIP	
SIP TRUNK	
SIP CALL	
ADVANCED	
PINCODE	
RESTORE	

IP:	200.200.200.240
MASK:	255.255.255.0
GATEWAY:	200.200.200.1
DNS:	8.8.8.8
SOFTWARE IP:	200.200.200.80
SW. PIN:	*****
	<input type="button" value="SAVE"/>

3.5 SIP Settings

ENABLE SIP: Enable or disable sip function.

SEARCH SIP STATUS: this button appear when enable SIP function, show SIP REGISTERED if the panel register successfully or SIP REGISTER FAILED if the panel register unsuccessfully.

SIP SERVER: SIP server IP address.

DOMAIN: Sip server domain.

OUTBOUND: Some servers are used when NAT is active on the router.

STUN IP: Audio and video NAT traversing public network server IP.

STUN PORT: The port of audio and video NAT traversing public network server.

H.264: Video coding parameters.

SIP USER: The username of sip account.

SIP PASS: The password of sip account.

CONVERSATION, RING TIME: No function.

NOTE: When the panel is used as a sip device, use quick dial to call SIP devices or receive calling of other SIP devices, SIP function has to be enabled.

DEVICE	SIP SETTINGS
GENERAL	
NETWORK	
ACC	
SIP	
SIP TRUNK	
SIP CALL	
ADVANCED	
PINCODE	
RESTORE	

ENABLE SIP:	<input checked="" type="checkbox"/> SEARCH SIP STATUS
SIP SERVER:	<input type="text" value="sip:sip.fermax.com"/>
DOMAIN:	<input type="text" value="sip.fermax.com"/>
STUN IP:	<input type="text"/>
STUN PORT:	<input type="text" value="5060"/>
H.264:	<input type="text" value="102"/>
SIP USER:	<input type="text"/>
SIP PASS:	<input type="text"/>
CONVERSATION:	<input type="text" value="120s"/> ▾
RING TIME:	<input type="text" value="30s"/> ▾

3.6 Advanced Settings

Quick dial is associated a MIO monitor, guard unit or sip terminal.

QUICK DIAL: Enable or disable quick dial function.

NOTE: The panel type do not be used 1W panel if you enable quick dial.

URL: if call device of MEET system, URL: sip: sip account @ IP address of MEET device, the sip account is optional. If call SIP device, URL: sip: sip account @ IP address of sip server

ONU (GPON) : Enable or disable the SIP penetration firewall function.

DEVICE	ADVANCED SETTINGS
GENERAL	
NETWORK	
ACC	
SIP	
SIP TRUNK	
SIP CALL	
ADVANCED	
PINCODE	
RESTORE	

QUICK DIAL:	<input type="checkbox"/>
URL:	<input type="text" value="sip:101@192.168.68.100"/>
ONU (GPON):	<input type="checkbox"/>
	<input type="button" value="SAVE"/>

3.7 Pincode Settings

This allows to change the pin code of the web server login.

DEVICE	PINCODE SETTINGS
GENERAL	
NETWORK	
ACC	
SIP	
SIP TRUNK	
SIP CALL	
ADVANCED	
PINCODE	
RESTORE	

CURRENT PIN:	<input type="text"/>
NEW PIN:	<input type="text"/>
CONFIRM PIN:	<input type="text"/>
	<input type="button" value="SAVE"/>

3.8 Restore

RESTORE FACTORY SETTINGS: All the settings are restored to the factory settings.

The IP address will be changed to the default IP: 10.1.1.2

REBOOT DEVICE: The guard unit will be restarted and will keep all the previous settings.

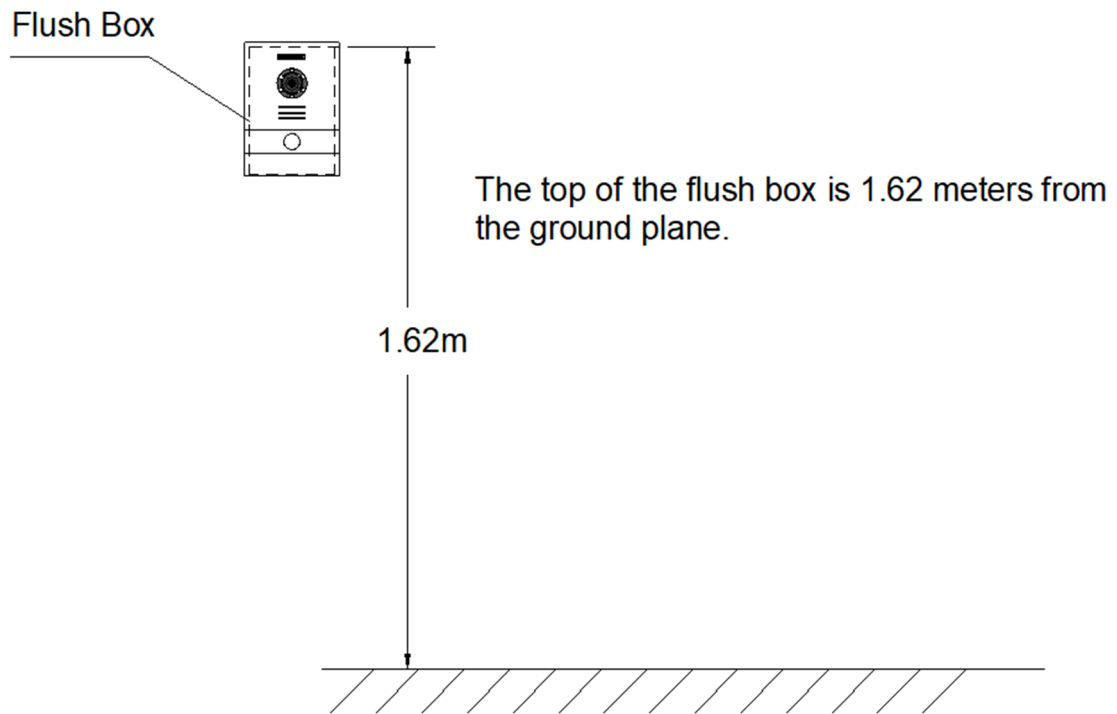
DEVICE	RESTORE
GENERAL	
NETWORK	
ACC	
SIP	
SIP TRUNK	
SIP CALL	
ADVANCED	
PINCODE	
RESTORE	

RESTORE FACTORY SETTINGS
OK

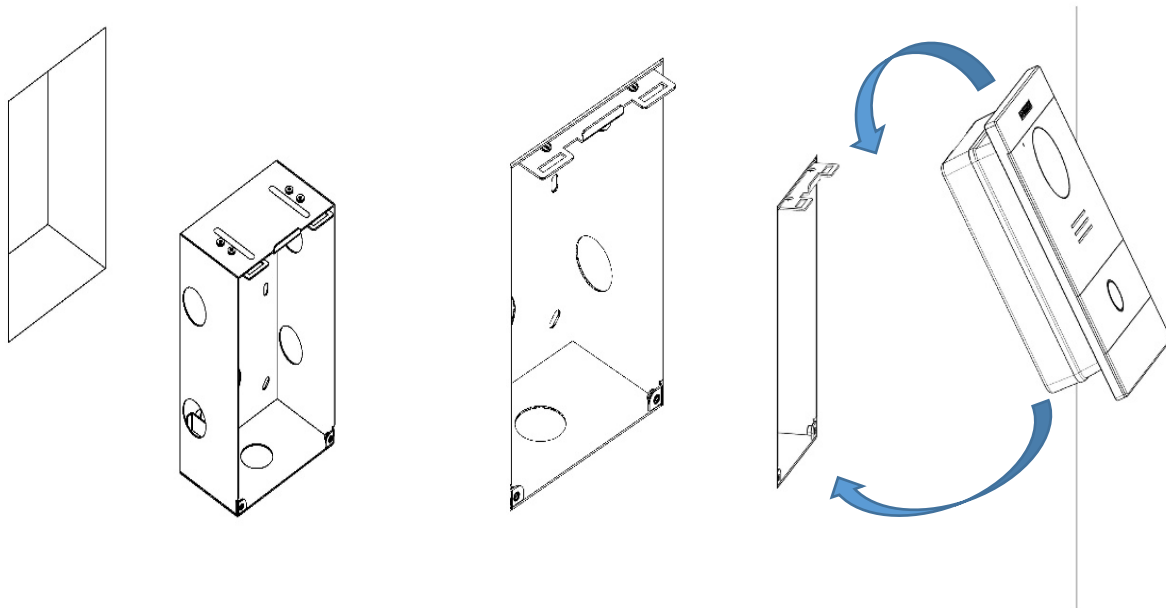
REBOOT DEVICE
OK

4 Installation

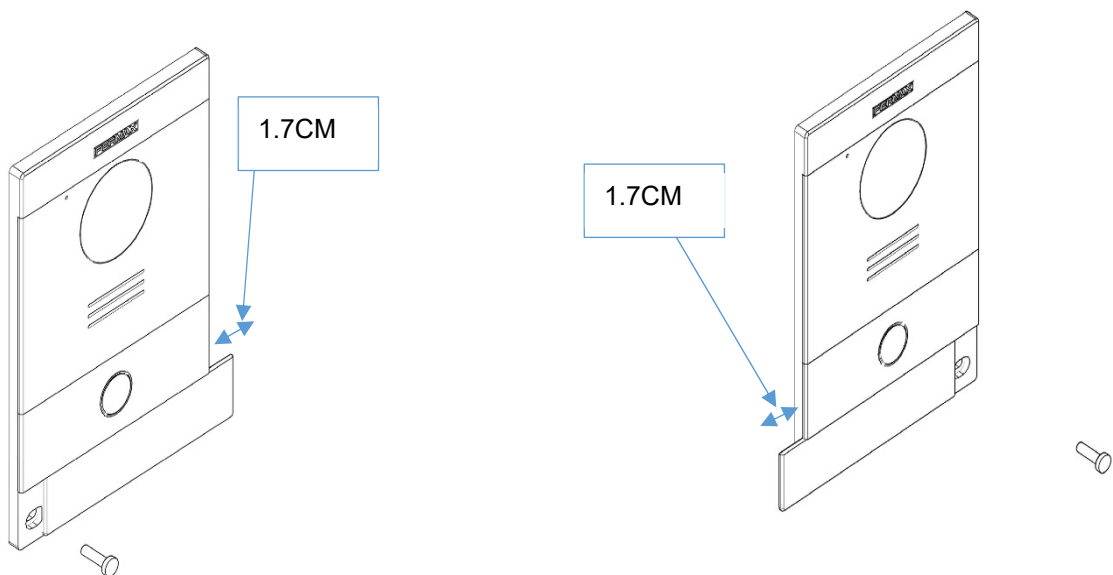
4.1 Installation height



4.2 Installation Step Diagram

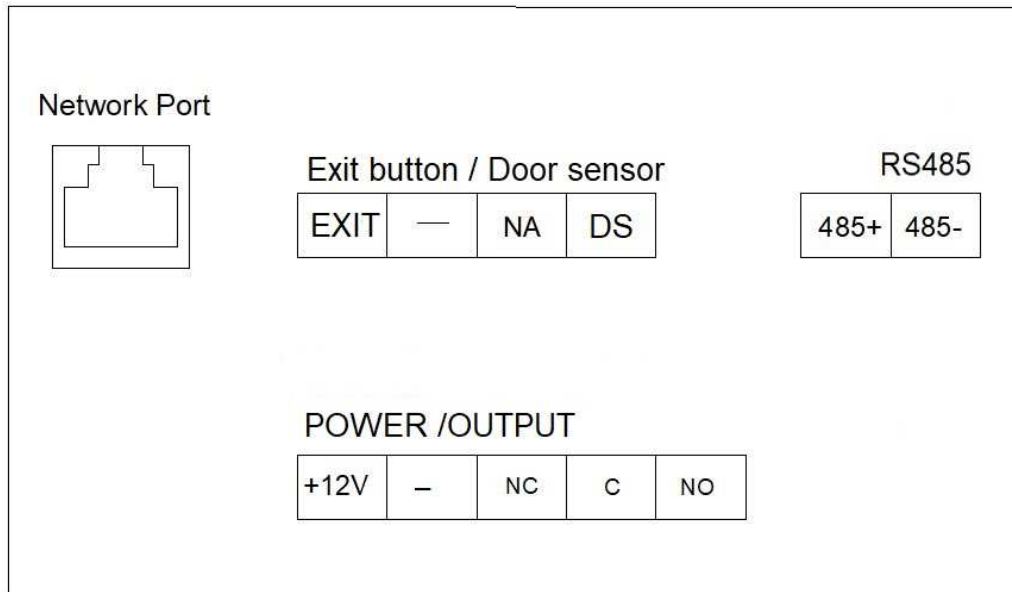


- ,1 Flush box installation ○,2 Base flush box depth adjustment hook ○,3 The upper part of the panel is stuck in, then move the panel to the flush box.



- ,4 Move the slider of the panel and fix the two screws, when installing, pay attention to the reservation of the 1.7CM space around the door to move the slide cover.

4.3 Connectors



- 10/100Mbps RJ45 Port
- **+12V**, —: 12Vdc Power Input
- **NC**, **C**, **NO**: Relay contacts for release lock
- **EXIT**, —: Exit button
- —, **DS**: Door-open sensor
- **485+**, **485-**: RS485 port

4.4 Technical Parameters

Dimensions

Panel (mm): 118 (W) × 183(H) × 49(D)

Flush box (mm): 105(W) × 172.5(H) × 63(D)

Power supply: 12Vdc

Standby current: 125mA

Working current: 250mA

Camera pixel: 1 megapixels

90° visual angle: Vertical 72°, Horizontal 54°

Minimum illumination: 0.5Lux

Maximum conversation time: 120s

Door relay time: 1-9s

Door delay time: 0-9s

Door sensor time: 120s

Block: 001-999

Apartment: 0001-9899

Maximum number of per home: 9

Operating temperature: -40~70°C

Relative humidity: 20%~93%, without condensation

RADIO FREQUENCY MODULE. EC DECLARATION OF CONFORMITY:

FERMAX ELECTRÓNICA, S.A.U. declares that this product complies with the requirements in the RED 2014/53/EU Directive "Radio frequency equipment".

<https://www.fermax.com/intl/en/pro/documents/technical-documentation/DT-13-declarations-of-conformity.html>

Radio frequency module:

Frequency: **13.56MHz** / Maximum Power: 3,90 dBm, equivalent to **2,45mW**.

FCC Caution:

This device complies with part 15 of the FCC Rules. Operation is subject to the following two conditions: (1) This device may not cause harmful interference, and (2) this device must accept any interference received, including interference that may cause undesired operation.

Any Changes or modifications not expressly approved by the party responsible for compliance could void the user's authority to operate the equipment.

Note: This equipment has been tested and found to comply with the limits for a Class B digital device, pursuant to part 15 of the FCC Rules. These limits are designed to provide reasonable protection against harmful interference in a residential installation. This equipment generates uses and can radiate radio frequency energy and, if not installed and used in accordance with the instructions, may cause harmful interference to radio communications. However, there is no guarantee that interference will not occur in a particular installation. If this equipment does cause harmful interference to radio or television reception, which can be determined by turning the equipment off and on, the user is encouraged to try to correct the interference by one or more of the following measures:

- Reorient or relocate the receiving antenna.
- Increase the separation between the equipment and receiver.
- Connect the equipment into an outlet on a circuit different from that to which the receiver is connected.
- Consult the dealer or an experienced radio/TV technician for help.