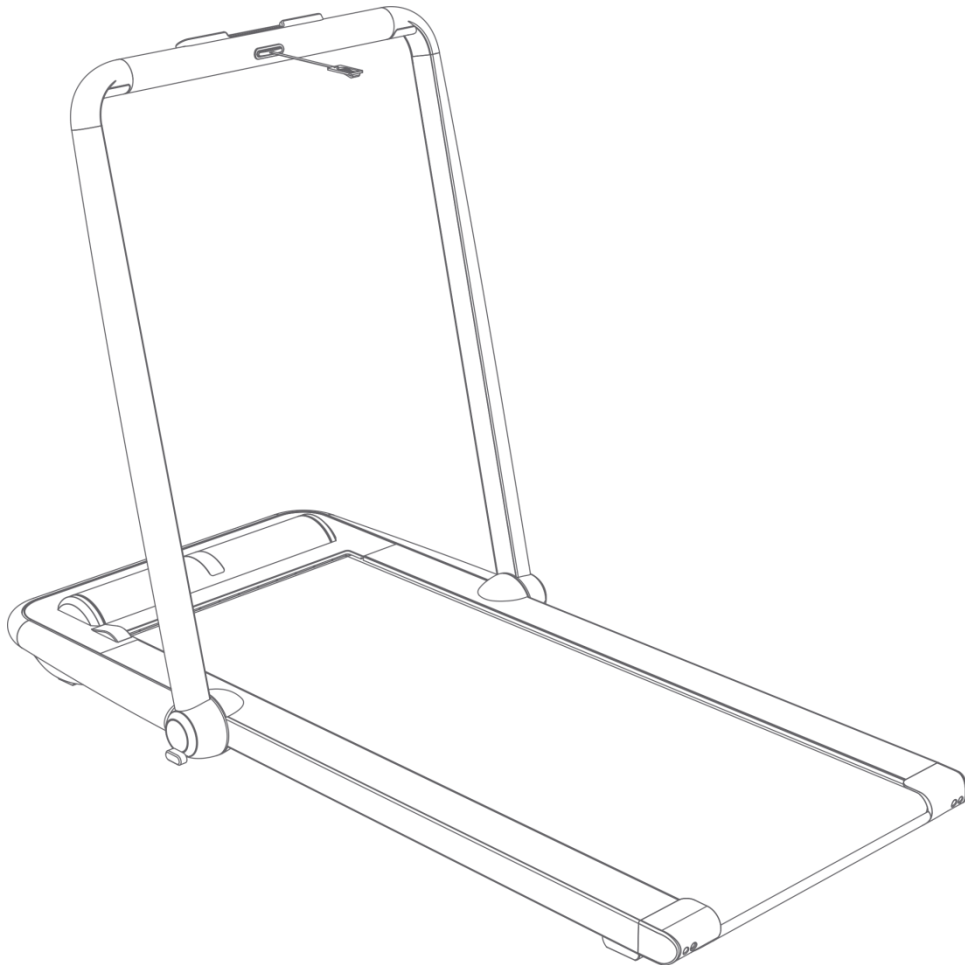




# SUNNY TreadPad

## USER MANUAL

SF-T7970



**IMPORTANT!** Please retain owner's manual for maintenance and adjustment instructions. Your satisfaction is very important to us, **PLEASE DO NOT RETURN UNTIL YOU HAVE CONTACTED US:** [support@sunnyhealthfitness.com](mailto:support@sunnyhealthfitness.com) or 1- 877 - 90SUNNY (877-907-8669).



@SUNNYHEALTHFITNESS



@SUNNYHEALTHFIT



@SUNNYHEALTHFITNESS

SUNNYHEALTHFITNESS.COM/SIGNUP

# **IMPORTANT SAFETY INFORMATION**

We thank you for choosing our product. To ensure your safety and health, please use this equipment correctly. It is important to read this entire manual before assembling and using the equipment. Safe and effective use can only be achieved if the equipment is assembled, maintained, and used properly. It is your responsibility to ensure that all users of the equipment are informed of all warnings and precautions.

1. Before starting any exercise program, you should consult your physician to determine if you have any medical or physical conditions that could put your health and safety at risk or prevent you from using the equipment properly. Your physician's advice is essential if you are taking medication that affects your heart rate, blood pressure, or cholesterol level.
2. Be aware of your body's signals. Incorrect or excessive exercise can damage your health. Stop exercising if you experience any of the following symptoms: pain, tightness in your chest, irregular heartbeat, shortness of breath, lightheadedness, dizziness, or feelings of nausea. If you do experience any of these conditions, you should consult your physician before continuing with your exercise program.
3. Keep children and pets away from the equipment. The equipment is designed for adult use only.
4. Use the equipment on a solid, flat level surface with a protective cover for your floor or carpet. To ensure safety, the equipment should have at least 8 feet (240 CM) of free space behind it and 2 feet (60 CM) on each side. Do not place the SUNNY TreadPad on any surface that blocks air openings. To protect the floor or carpet from damage, place a mat under the SUNNY TreadPad.
5. Ensure that all nuts and bolts are securely tightened before using the equipment. The safety of the equipment can only be maintained if it is regularly examined for damage and/or wear and tear.
6. Always use the equipment as indicated. If you find any defective components while assembling or checking the equipment, or if you hear any unusual noises coming from the equipment during exercise, discontinue use of the equipment immediately and do not use until the problem has been rectified.
7. Wear suitable clothing while using the equipment. Avoid wearing loose clothing that may become entangled in the equipment.
8. Do not place fingers or objects into the moving parts of the equipment.
9. The maximum weight capacity of this unit is 220 pounds (100 KG).
10. The equipment is not suitable for therapeutic use.
11. To avoid bodily injury and/or damage to the product or property, proper lifting and moving are required.
12. Your product is intended for use in cool and dry conditions. You should avoid storage in extreme cold, hot or damp areas as this may lead to corrosion and other related problems.
13. This equipment is designed for indoor and home use only; it is not intended for commercial use.
14. When running, try to use shoes with rubber soles, otherwise there will be the possibility of static electricity.

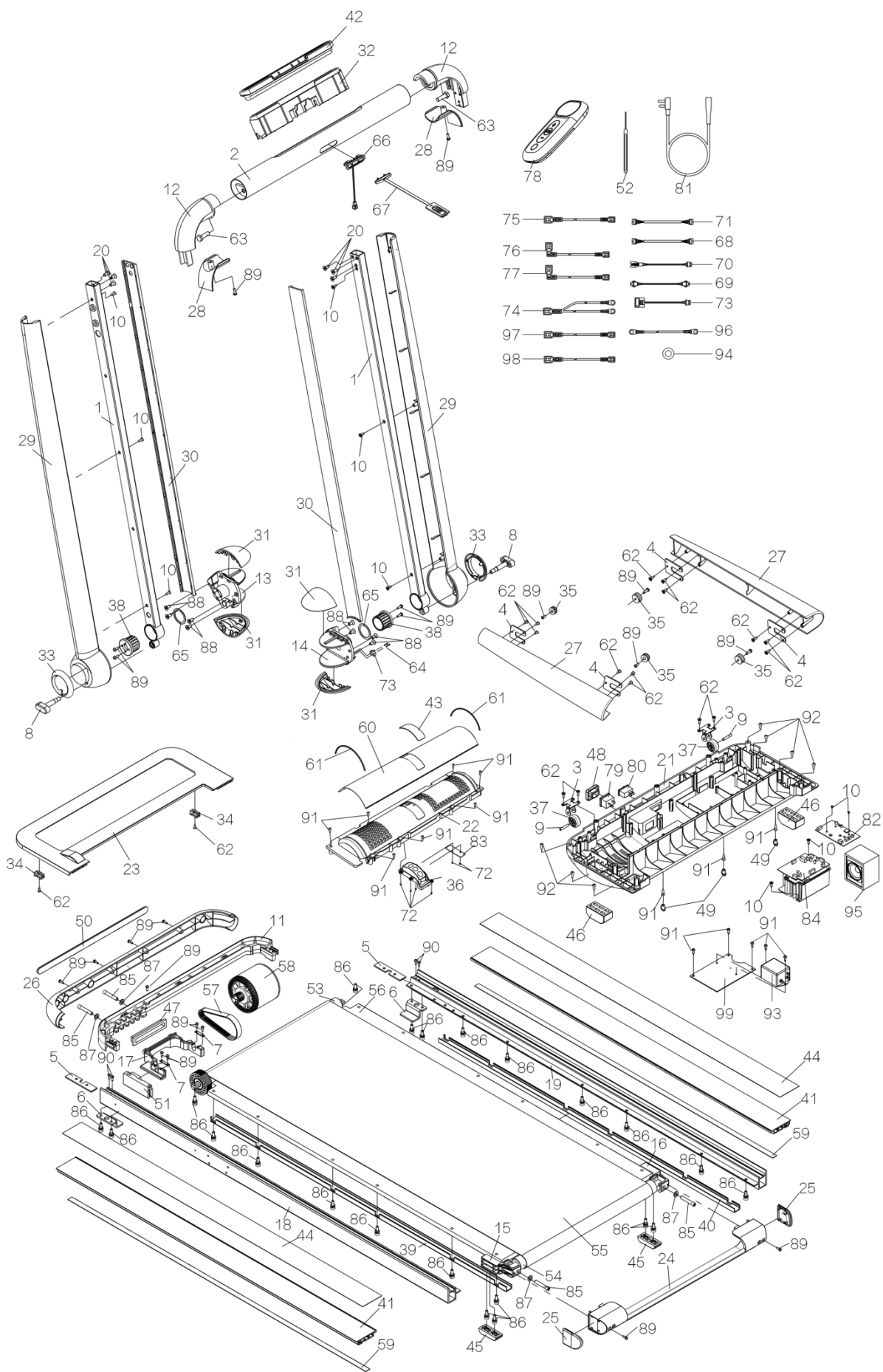


## **IMPORTANT NOTE:**

The belt must be lubricated before the first use! Please see Page 12 for instructions on how to properly apply lubricant.

# **IMPORTANT OPERATING INSTRUCTIONS**

1. Please keep a rear distance of 240cm (94.5 inches) or more.
2. Please keep a distance of 50cm (20 inches) or more on both left and right side.
3. Please choose sport shoes when using the Sunny TreadPad.
4. Please do not stand up on the Sunny TreadPad if the machine is recalibrating.
5. It is not recommended to use the Sunny TreadPad on uneven surfaces.
6. Use caution when folding the Sunny TreadPad to avoid injury.
7. Do not fold the machine if the Sunny TreadPad is turned on.
8. Please pull out the power cord from the outlet when the Sunny TreadPad is not in use.
9. Always face forward to prevent dizziness from occurring.
10. Never allow multiple users to operate the machine at the same time.
11. Please keep pets away from the Sunny TreadPad.
12. Do not stand on the front end of the Sunny TreadPad.
13. Minors must be accompanied by an adult.
14. Running or walking sideways or backwards on the Sunny TreadPad is prohibited.
15. Please do not use the Sunny TreadPad if you are not within the age recommendations or if you are pregnant.

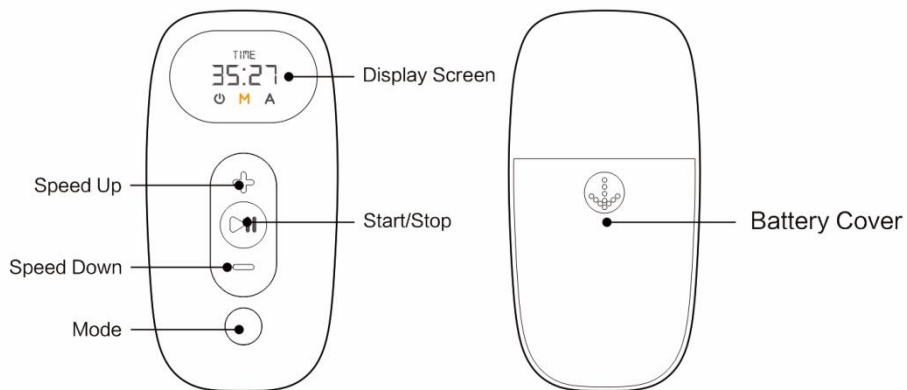
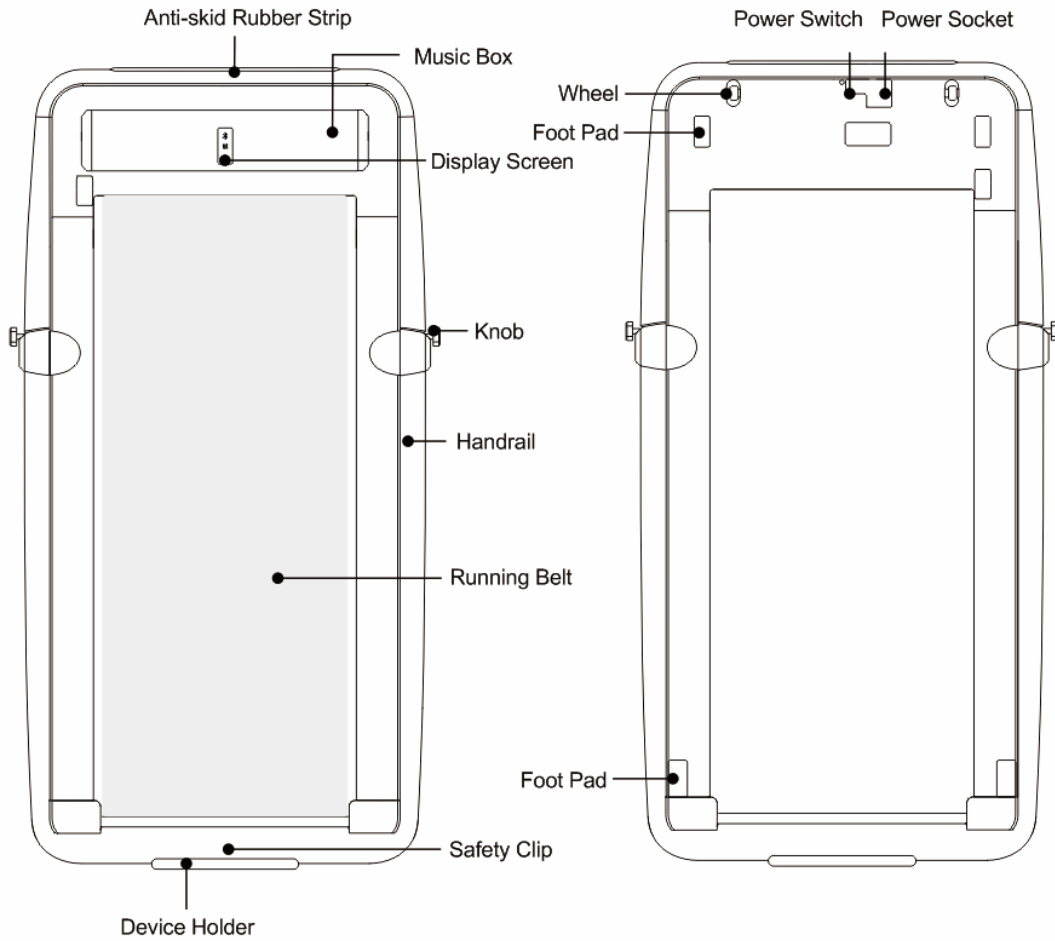


Serial number	Name	Specification	Quantity
1	Column	Welded element	2
2	Handrail assembly	Welded element	1
3	Wheel support	Welded element	2
4	Side trim cover retainer	Welded element	4
5	Connector spacer	Welded element	2
6	Foot pad support	Welded element	2
7	Motor gasket	Welded element	2
8	Type knob shaft	Welded element	2
9	Φ 5.1 Cylindrical pin	Φ5.1x28	2
10	Cross recessed countersunk tapping screw	ST2.9x16	10
11	Front aluminum seat	Aluminum alloy ADC12	1
12	Handrail seat	Aluminum alloy ADC12	2
13	Left shaft seat	Aluminum alloy ADC12	1
14	Right shaft seat	Aluminum alloy ADC12	1
15	Rear drum left support	Aluminum alloy ADC12	1
16	Rear drum right support	Aluminum alloy ADC12	1
17	Motor retainer	Aluminum alloy ADC12	1
18	Left aluminum	Aluminum alloy 6061	1
19	Right aluminum	Aluminum alloy 6061	1
20	Cross recessed countersunk screw	M4x10 Full tooth	6
21	Motor lower cover	Plastic part	1
22	Motor upper cover	Plastic part	1
23	Motor top cover	Plastic part	1
24	Rear end cover	Plastic part	1
25	Side trim cover of rear end cover	Plastic part	2
26	Front trim cover	Plastic part	1
27	Side trim cover	Plastic part	2
28	Handrail trim cover	Plastic part	2
29	Column trim cover	Plastic part	2
30	Column trim strip	Plastic part	2
31	Shaft trim cover	Plastic part	4
32	Phone holder	Plastic part	1
33	Column side cover	Plastic part	2
34	Fastener	Plastic part	2
35	Side trim cover retainer		4
36	Display seat	Plastic part	1
37	Wheel	Plastic part	2
38	Bushing	Plastic part	2
39	Left lower protective strip	Plastic part	1
40	Right lower protective strip	Plastic part	1

41	Side strip	Plastic part	2
42	Phone holder	Plastic part	1
43	Display PC film	PC	1
44	PC film	PC	2
45	Rear foot pad	Rubber	2
46	Front foot pad	Rubber	2
47	Motor cushion supply	Rubber	1
48	Rubber cover for power	Rubber	1
49	Rubber hole plug	Rubber part	3
50	Rubber cushion of front trim cover	Rubber part	1
51	Motor left cushion	Rubber part	1
52	Silicone lanyard	Rubber part	1
53	Front drum	Φ38	1
54	Rear drum	Φ38	1
55	Running belt	2534x480	1
56	Running board		1
57	Multi slot belt		1
58	Motor	Φ105,1.0HP	1
59	Side strip foam		2
60	Speaker mesh	492x160	1
61	Speaker mesh decorative cord		2
62	Cross recessed countersunk tapping screw	ST4.2x10	18
63	Outer hexagon bolt	M8x1.25Px25 Full tooth	2
64	Cross recessed pan screw	M2.0x10 Full tooth	2
65	PTFE gasket	31x39x1.0	2
66	Safety switch retainer	Rubber part	1
67	safety key	Components	1
68	Status indicator connection line	Length350mm	1
69	Middle line of safety switch	Length1020mm	1
70	Lower line of safety switch	Length570mm	1
71	Communication line	Length150mm	1
72	Cross recessed pan tapping screw	ST2.9*10	6
73	Speed up switch	Length570mm	1
74	Ground wire	One-in two-out head 180mm	1
75	Connecting line between socket and switch	120mm Red	1
76	Connecting line for lower control and Filter	180mm Red	1
77	Connecting line for Filter and lower control	220mm Black	1
78	Remote	Components	1
79	Socket		1
80	Overload protection switch	K1-N15B1A1A K1-15A/250V	1
81	Power line	1.5m	1
82	Upper control board	Programming controller	1
83	Display panel	Light panel	1

84	Lower control board	Brushless controller	1
85	Hexagon socket cylindrical head bolt	M8x1.25P*42 Full tooth	4
86	Three-piece bolt	M6x1.0P*15 Full tooth	22
87	Flat cushion	Ø8.5*Ø16*1.5	4
88	Cross recessed countersunk head bolt	M6*12 Full tooth	8
89	Cross recessed pan head bolt	M4*10 Full tooth	21
90	Cross recessed pan head bolt	M4*16 Full tooth	4
91	Cross recessed pan tapping screw	ST4.2*15	15
92	Cross recessed pan tapping screw	ST6.0*20	7
93	Filter	JNT-10A-T(031)	1
94	Inductance	Ø24.9*Ø15.2*12	1
95	Music box	4Ω5W	1
96	Ground wire	200mm Yellow and green	1
97	Connecting line between socket and Filter	300mm Black	1
98	Connecting line between switch and Filter	300mm Red	1
99	Filter support plate	150*105*2.0	1

# EXPLODED DIAGRAM







Time



Speed



Distance



Calories



Steps



Standby Mode



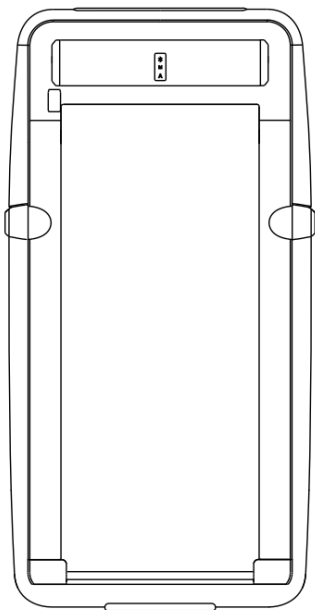
Constant Speed Mode



Auto Mode

## PARTS LIST

### Main Product



User Manual



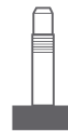
Remote Control



Wrench



Power Cable



Knob



Silicone Oil



Safety Key



Battery

### **Ordering Replacement Parts (U.S. and Canadian Customers only)**

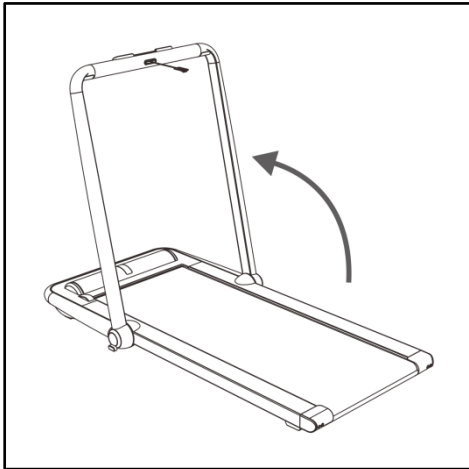
Please provide the following information in order for us to accurately identify the part(s) needed:

- ✓ The model number (found on cover of manual)
- ✓ The product name (found on cover of manual)
- ✓ The part name found on the “EXPLODED DIAGRAM” and “PARTS LIST” (found near the front of the manual)

Please contact us at [support@sunnyhealthfitness.com](mailto:support@sunnyhealthfitness.com) or 1- 877 - 90SUNNY (877-907-8669).

# **ASSEMBLY INSTRUCTIONS**

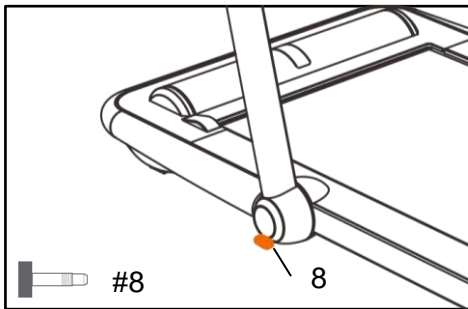
We value your experience using Sunny Health and Fitness products. For assistance with parts or troubleshooting, please contact us at [support@sunnyhealthfitness.com](mailto:support@sunnyhealthfitness.com) or 1-877-90SUNNY (877-907-8669).



## **STEP 1:**

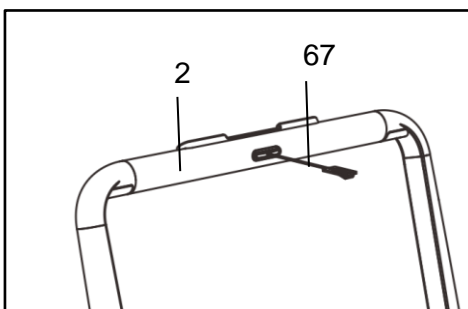
Place the Sunny TreadPad on a flat surface. It is not recommended to place the Sunny TreadPad on a soft or uneven surface.

Open the handrail upward



## **STEP 2:**

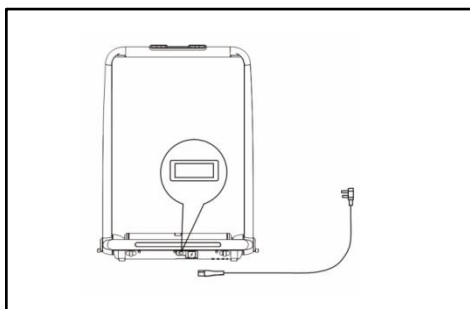
Take out the Type knob shaft(#8) from the accessory box, insert it into the hole of handrail shaft, and rotate clockwise to lock the handrails on both sides



## **STEP 3:**

Take the safety key out of the accessory box, insert it into the clip socket located in the middle of the handrail

We value your experience using Sunny Health and Fitness products. For assistance with parts or troubleshooting, please contact us at [support@sunnyhealthfitness.com](mailto:support@sunnyhealthfitness.com) or 1-877-90SUNNY (877-907-8669).



**STEP 4:**

Connect the power supply

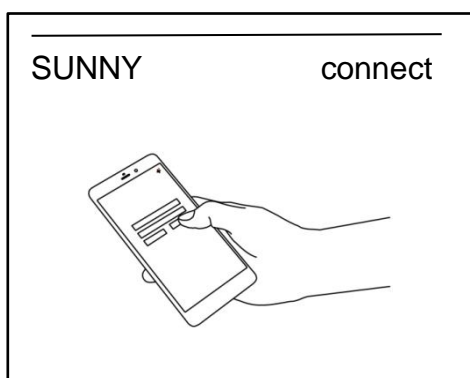


**STEP 5:**

Scan the QR barcode to directly locate SUNNY HEALTH & FITNESS App in the App Store on your device. In order to scan the QR Code, you must first download the QR READER App on your device. Available in both Apple App Store & Google Play Store.

Use the remote to directly skip 5 steps

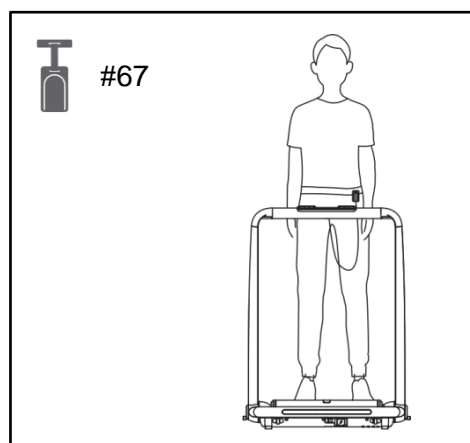
Open APP to complete registration and connect the device step by step.



**STEP 6:**

Connect music box

Open the system Bluetooth, search for Bluetooth named SUNNY, click on to connect, when it's connected you can play music by the music box.

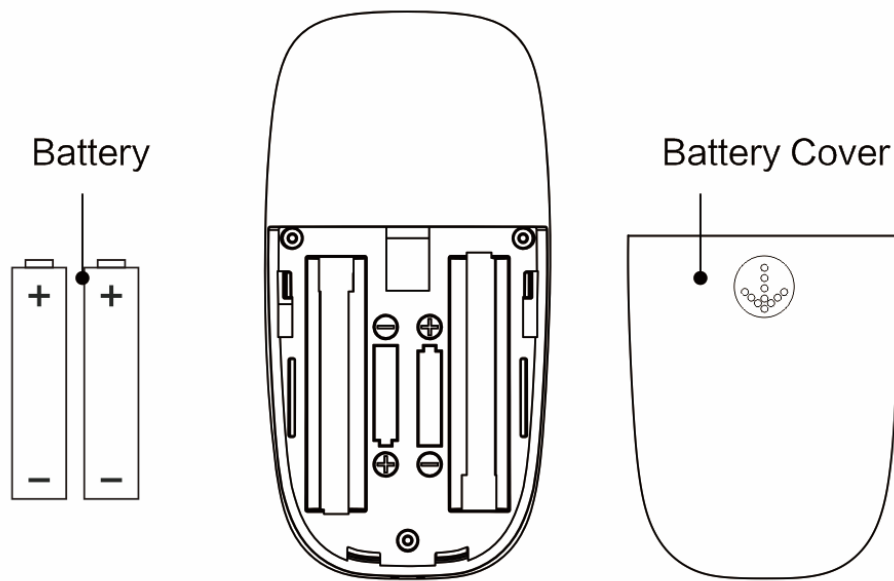


**STEP 7:**

Align the hole and insert the safety clip into the safety socket, and clip the other end to your clothing.

Start running

# **BATTERY INSTALLATION & REPLACEMENT**



## **BATTERY INSTALLATION:**

1. Remove the battery cover.
2. Install the battery (AAA) into the battery holder by the right side .
3. Put the battery cover back.

## **BATTERY REPLACEMENT:**

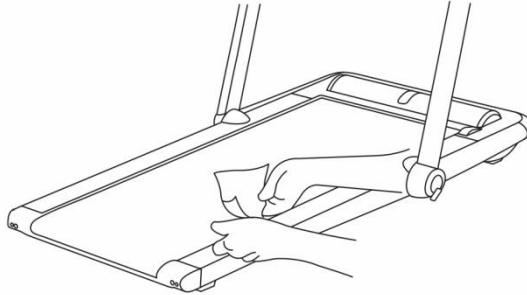
1. Remove the battery cover.
2. Take out the 2pcs battery (AAA) that is included inside the remote control box.
3. Install the battery (AAA) into the battery holder .
4. Put the battery cover back.

Dispose the old battery according to your regional guidelines.

# MAINTENANCE & ADJUSTMENTS GUIDE

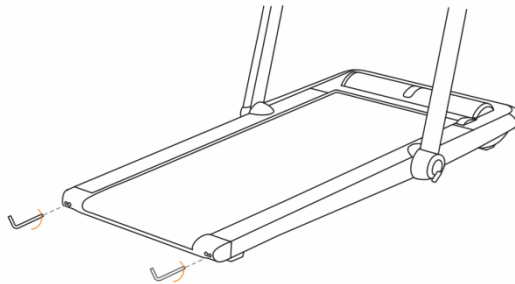
## **Cleaning the Sunny TreadPad:**

- Unplug the unit from the electrical source before you begin.
- Pour a small amount of gentle detergent on a cotton rag or towel. Do not pour the detergent on the running belt directly and do not use acidic or corrosive cleaners.
- Wipe down the frame, motor encasement, and running belt. Do not wipe underneath the running belt.
- After a long period of use, it is normal for dust to accumulate. Please wipe the dust of gently.



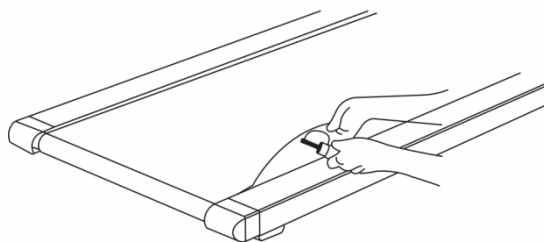
## **Adjusting the Belt:**

- Start the SUNNY TreadPad and set the speed 2.5 mi/h .
- If the running belt moves to the left: Turn the left adjusting screw half-circle clockwise.
- If the running belt moves to the right: Turn the right adjusting screw half-circle clockwise.
- If the running belt is slipping: Turn both left and right adjusting screws half-circle clockwise at same time.



## **Lubricating the running belt:**

- Unplug the unit from the electrical source before you begin.
- Lift up the running belt and apply the silicone lubricant underneath the surface of the running belt.
- Power on the Sunny TreadPad.
- Allow the SUNNY TreadPad to operate at 2.5 mi/h for 10 to 20 seconds.
- Do not add more than 5 ml - 10 ml of lubricant. The running belt will slip if it has too much lubricant.
- Apply Silicone lubricant once every 3 months.



# DISPLAY CONSOLE

## KEY FUNCTIONS

### MODE INSTRUCTION:



Standby Mode  
Light of the Standby mode is on.  
Motor and sensor stop response.



Constant Speed Mode  
Light of the fixed speed mode is on.  
Control the speed through the remote control or APP.



Automatic Mode  
Light of the automatic mode is on.  
Speed is automatically controlled.

### STANDBY MODE:



In this mode, the SUNNY TreadPad stops responding to prevent non-users from triggering the SUNNY TreadPad.



Hold press for more than 2 seconds  
Return to previous mode

SUNNY TreadPad will automatically stand by and lock when it is not in use for more than 10 minutes. When the SUNNY TreadPad is stopped, it can also be locked manually by pressing the Mode button for more than 2 seconds. Hold press Start or Mode for 2 seconds to unlock again.

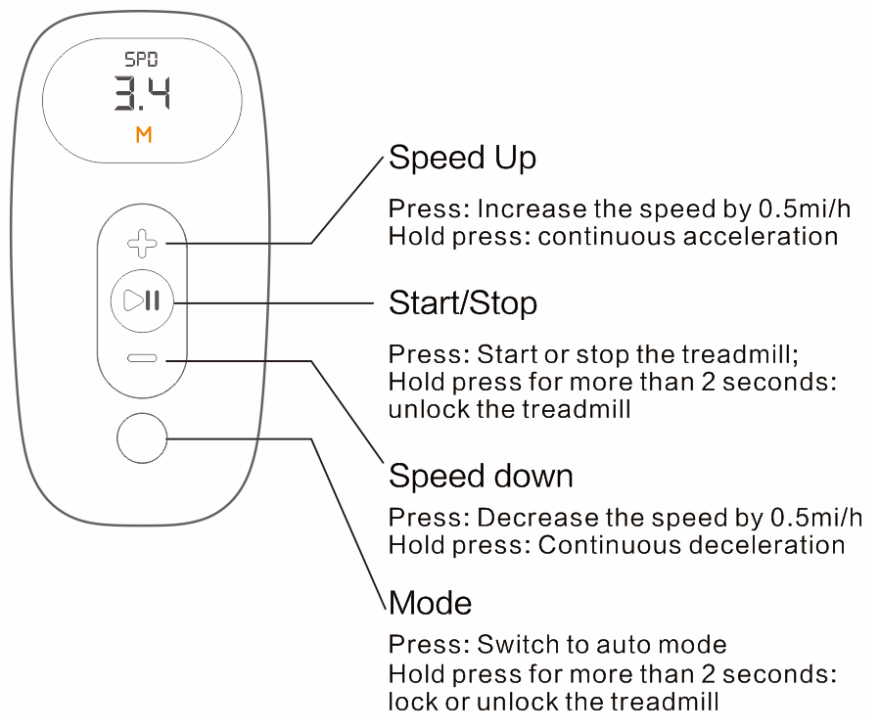
### FIXED SPEED MODE (PRIMARY MODE):



In this mode, the speed of the SUNNY TreadPad can be controlled by the remote. Beginners are advised to use the constant speed mode first, and then use the auto mode after being proficient in using the SUNNY TreadPad. In this mode, if the user leaves the SUNNY TreadPad for more than 30 seconds, it will stop automatically!

When the handrail is upward, the maximum speed is 7.5mi/h which is suitable for running. The safety key must be plugged in to start.

When the handrail is putted down, the maximum speed is 3.75mi/h which is suitable for walking. You can start the TreadPad with the safety key or not.



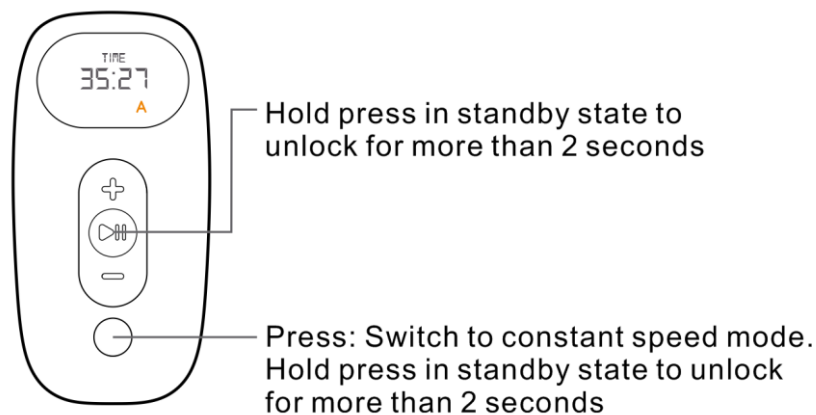
## AUTOMATIC MODE:

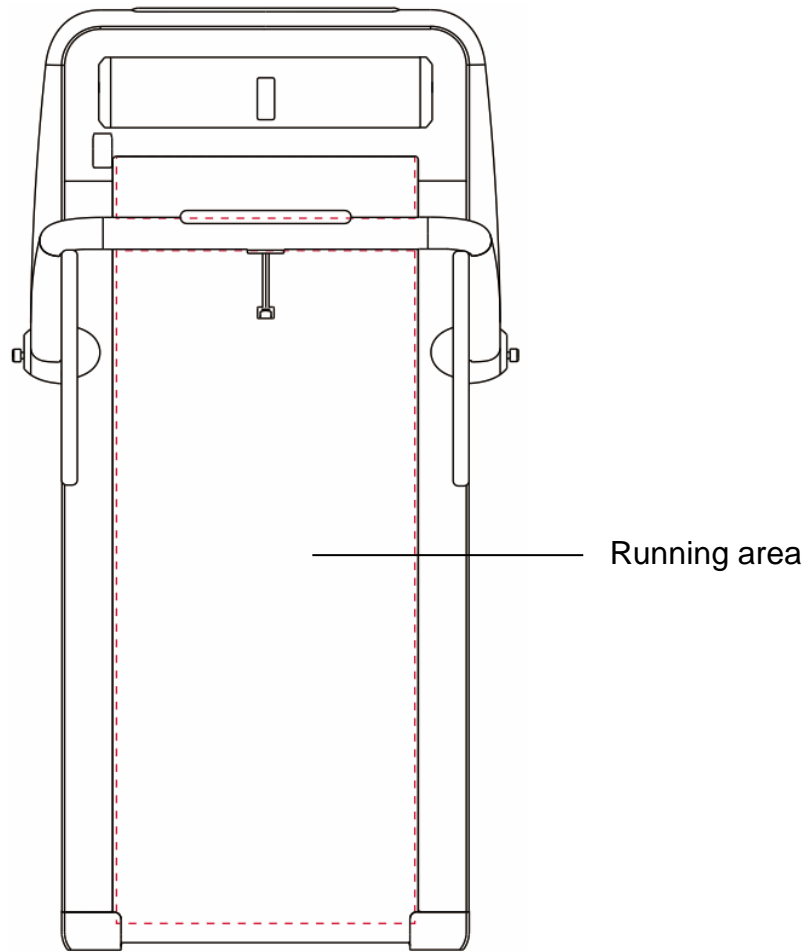


This mode is an advanced mode with higher level, and can be completely separated from remote control after starting. It is recommended for users with better coordination or experienced in use of SUNNY TreadPad.

When the handrail is upward, the maximum speed is 5mi/h which is suitable for running. The safety key must be plugged in to start.

When the handrail is putted down, the maximum speed is 3.75mi/h which is suitable for walking. You can start the TreadPad with the safety key or not.





In the auto mode, when running on the belt, the SUNNY TreadPad will accelerate step by step until the speed is consistent with the pace frequency. When the stride length slows down, the SUNNY TreadPad speed will gradually slow down until the speed is consistent with the stride frequency. When the speed is decreased less than 1.5mi/h, the SUNNY TreadPad will stop automatically.

Note: Automatic acceleration and deceleration will have the process of learning and adaptation. Some people will not adapt to it at first, and it will be easier after frequent usage.



## SPECIFICATIONS

Performance & Indicators	Detail Parameters
Expansion Dimensions	58.2" x 31.2" x 41.7"
Folding Dimensions	60.2" x 31.2" x 5.5"
Running Belt	47" x 18.9"
Gross Weight	84.9LBS
Net Weight	73LBS
Maximum Load	220 LBS
Recommended Age Range	14-60 years old
Applicable Height	Unlimited
Minimum Speed	0.5 mi/h
Maximum Speed	7.5 mi/h
Power Input	746W
Rated Voltage	110-120V~
Sport Mode	Constant Speed Mode/Automatic Mode

## IMPORTANT NOTE:

### REMOTE CONTROL NOTICE

If the remote control has no response or you replace to a new one, the remote control and SUNNY TreadPad device need to be paired.

### REMOTE CONTROL PAIRING METHOD:

Restart the Sunny TreadPad. Press and hold down the mode switch button on the remote control immediately for about 2 seconds. Hearing a "Beep" indicates that the pairing is success. During the pairing, the remote control should be as close to the Sunny TreadPad as possible.

### SAFETY LOCK FUNCTION:

Removing the Safety Key (No.67) will stop the SUNNY TreadPad immediately. Once the SUNNY TreadPad reaches a full stop, the remote display will show "SAFE" and the SUNNY TreadPad will beep. To start the SUNNY TreadPad again, insert the Safety Key (No.67) and press the start button on the remote or APP.

## ERROR CODES:

When the SUNNY TreadPad is running normally, the fault code does not display. When a fault occurs, the remote controller displays the error code.

Error code	Code meaning	
E01	Software Overload	When reporting an error, please cut off the power supply for more than 10 seconds, and then restart the power supply. If the code no longer appears, continue to use. If the code continues to appear, please contact the after-sales personnel.
E02	Hardware Overload	
E03	IPM too hot	
E04	Low-Voltage	
E05	Over-Voltage	
E06	Motor phase-lack issues	
E07	Motor shaft lock	
E08	The motor fails	
E09	Motor Overload	
E10	Overload	
E11	No hall signal	
E12	Communication Error	

FCC Caution: Any changes or modifications not expressly approved by the party responsible for compliance could void the user's authority to operate the equipment. This device complies with Part 15 of the FCC Rules. Operation is subject to the following two conditions: (1) This device may not cause harmful interference, and (2) this device must accept any interference received, including interference that may cause undesired operation.

This equipment has been tested and found to comply with the limits for a Class B digital device, pursuant to Part 15 of the FCC Rules. These limits are designed to provide reasonable protection against harmful interference in a residential installation. This equipment generates uses and can radiate radio frequency energy and, if not installed and used in accordance with the instructions, may cause harmful interference to radio communications. However, there is no guarantee that interference will not occur in a particular installation. If this equipment does cause harmful interference to radio or television reception, which can be determined by turning the equipment off and on, the user is encouraged to try to correct the interference by one of the following measures:

- Reorient or relocate the receiving antenna.
- Increase the separation between the equipment and receiver.
- Connect the equipment into an outlet on a circuit different from that to which the receiver is connected.
- Consult the dealer or an experienced radio/TV technician for help.

FCC Radiation Exposure Statement: This equipment complies with FCC radiation exposure limits set forth for an uncontrolled environment. This transmitter must not be co-located or operating in conjunction with any other antenna or transmitter.

**CONNECT WITH US**  
FOR FITNESS ARTICLES, VIDEOS & WORKOUTS  
[SUNNYHEALTHFITNESS.COM/SIGNUP](https://SUNNYHEALTHFITNESS.COM/SIGNUP)



**@SUNNYHEALTHFITNESS**



**@SUNNYHEALTHFITNESS**



**@SUNNYHEALTHFIT**

