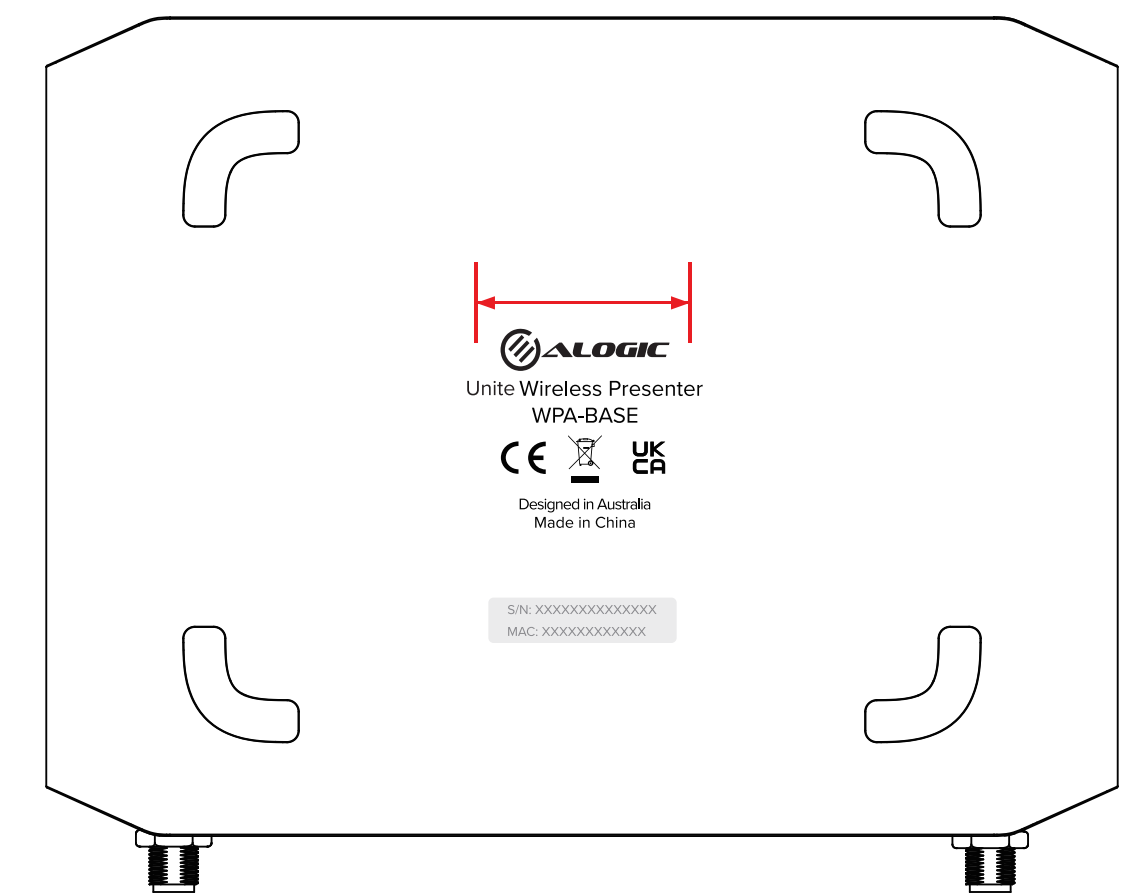
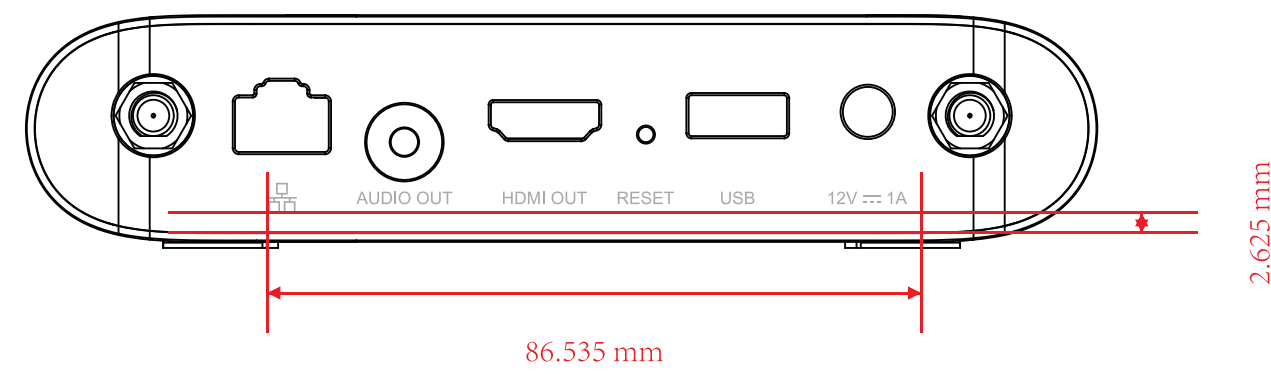
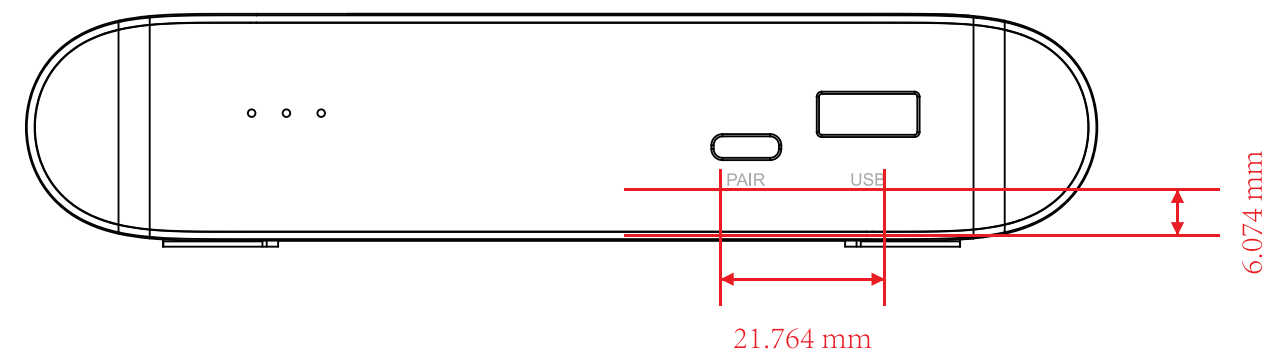


FCC MODEL



NON
FCC MODEL



Number 编号	Name 名称	Mmaterial number/物料号	Workmanship 工艺	Description/内容	Color/颜色
A	接口标识		镭雕		Black Laser
B	接口标识		丝印		PT Cool Grey 8C
C	接口标识		丝印	PAIR USB	PT Cool Grey 8C
D	Logo		镭雕	AUDIO OUT HDMI OUT RESET USB 12V = 1A	Black Laser
E	Sticker	Clear Label		S/N: XXXXXXXXXXXXXXXX MAC: XXXXXXXXXXXXXXXX	Black Print

DO NOT SCALE DRAWING

www.alogic.co
1300 760 989
Level 40,
140 Willicood Street,
Melbourne VIC 3000

TITLE:
28/11/2023
Mosquito_Base_PF_V5

DWG NO.
-

SCALE: 1:1 REVISION:

SHEET 1 OF 1
BC