
Antenna specification

1、 Antenna introduction

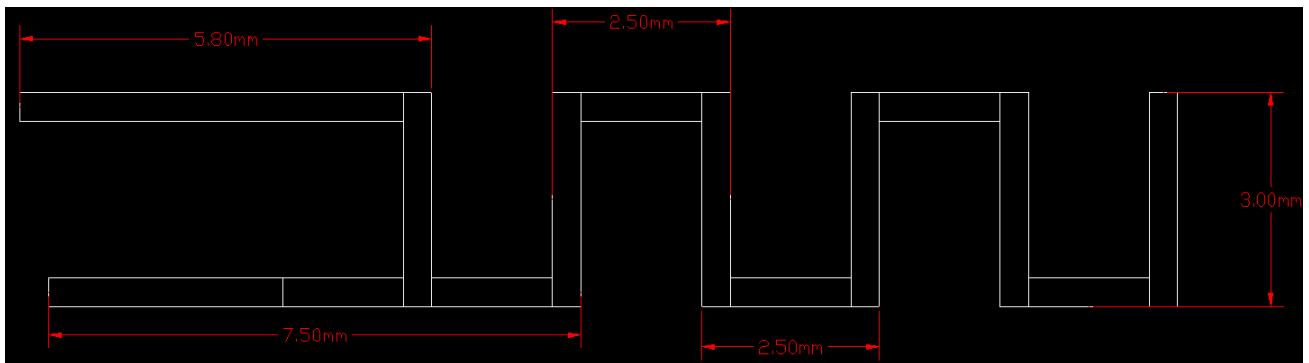
The Bluetooth module antenna is directly used on the PCB.

Manufacturer: Lenze Design Inc

Address : 7th Floor,Ching Po Building,Shenzhen Special Zone Press Group,Futian

District,Shenzhen

2、 Antenna shape



3、 Antenna parameter

The Bluetooth antenna operates at 2402-2480 MHz and generates resonance in this band. The table below shows the main parameters of the antenna.

Frequency (MHz)	2402 ~ 2480 MHz
VSWR	≤ 1.95
Impedance	50 Ohm Nominal
Return Loss	-15 dB Max
Radiation	Omni-directional
Gain (Peak)	0.8dBi
Polarization	Linear, Vertical
Admitted Power	1MW
Connector	Tin

4、 Antenna gain report

Spectrum Detector:
Test By:
Test Result:
Modulation:

PK
Mark
PASS
GFSK

Test Date : Feb 18, 2022
Temperature : 25°C
Humidity : 52 %

Frequency VNA (MHz)	Gain (dBi)
2400MHz	0.0403503
2410MHz	0.0886264
2420MHz	0.267381
2430MHz	0.193012
2440MHz	0.26366
2450MHz	0.0723139
2460MHz	0.36895
2470MHz	0.551525
2480MHz	0.640702
2490MHz	0.78232
2500MHz	0.80443

Direction map:

